

6. Install two Bolt Sleeves (10) into upside down Base (7) and then position two Bolts (12) through Bolt Plate (11) and into Bolt Sleeves (10). Position Base (7) over Mast (2) and thread bolts into bottom of Mast (2) and tighten using wrench.(Fig. 6.)

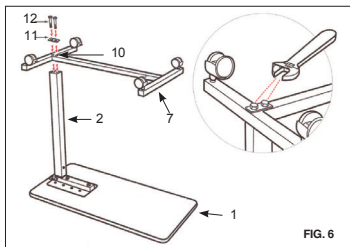


FIG. 6

7. Turn the table upright onto the casters.

CAUTION: Step 8 must be completed last to prevent damage to the spring loaded mechanism.

8. Remove the Black Screw (13) in the Mast (2) collar labeled “Remove for Assembly” and replace it with the Chrome Screw (14) contained in hardware package. Do not remove Chrome Screw labeled “Do Not Remove”. See (Fig. 7 and Fig. 8.)

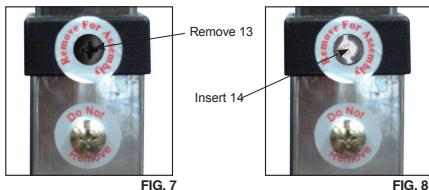


FIG. 7

FIG. 8

WARNING

FOR SAFETY – DO NOT REMOVE BLACK SCREW (13) ON MAST (2) UNTIL THE TABLE IS FULLY ASSEMBLED AND STANDING IN UPRIGHT POSITION AFTER REMOVING BLACK SCREW, REPLACE WITH CHROME SCREW (14) INCLUDED IN HARDWARE PACKAGE.

CAUTION

THE BOTTOM CHROME SCREW WITH THE “DO NOT REMOVE” LABEL SHOULD NEVER BE REMOVED AS IT WILL DAMAGE THE UNIT AND VOID YOUR WARRANTY.

Usage

Adjusting Table Height:

1. Gently squeeze the Trip Lever up towards the table top.
Adjust table top to desired height.
2. Check that Trip Lever is properly engaged prior to use.

Limited Lifetime Warranty

Your Dynarex product is warranted to be free of defects in materials and workmanship for the lifetime of the product for the original consumer purchaser. This item was built to exacting standards and carefully inspected prior to shipment. This Limited Lifetime Warranty is an expression of our confidence in the materials and workmanship of our products and our assurance to the consumer of years of dependable service.

The Warranty shall not apply under the following conditions: problems arising from normal wear; problems arising from failure to adhere to the product instructions; problems arising from misuse, negligence, accident or improper operation, maintenance or storage; problems arising from modifications or unauthorized repairs, parts or attachments; products where the serial number has been removed or defaced; problems with non-durable components, such as rubber accessories, casters, and grips, which are subject to normal wear and need periodic replacement. Dynarex shall not be liable for any consequential or incidental damages whatsoever. Dynarex shall repair or replace defective products at its option. The foregoing warranty is exclusive and in lieu of other express warranties, if any, including the implied warranties of merchantability and fitness of a particular purpose. The remedy for any violation of the implied warranty shall be limited to repair or replacement of the defective product pursuant to the terms contained herein.



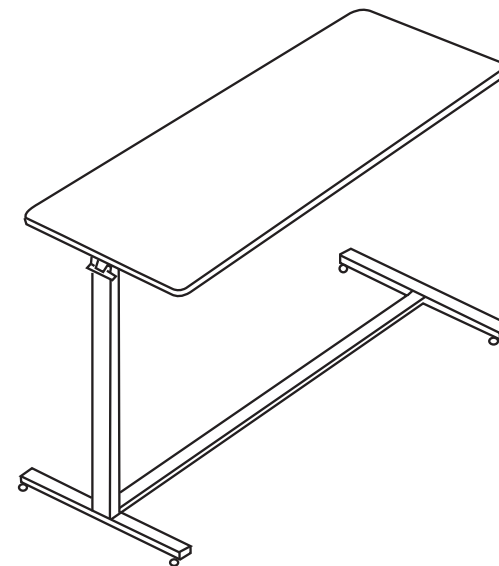
SYMBOL GLOSSARY
For an explanation of symbols used in Dynarex packaging, visit dynarex.com/symbols.php

WARNING:
Cancer and Reproductive Harm
www.P65Warnings.ca.gov

Overbed Table



Reorder No. 10450
Reorder No. 10456



User's manual

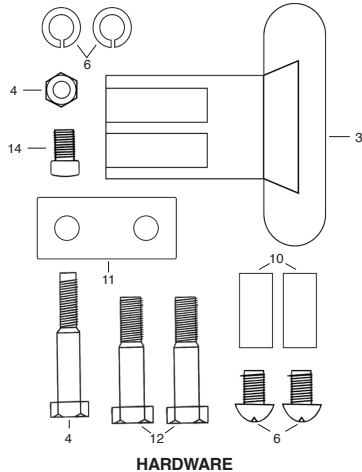
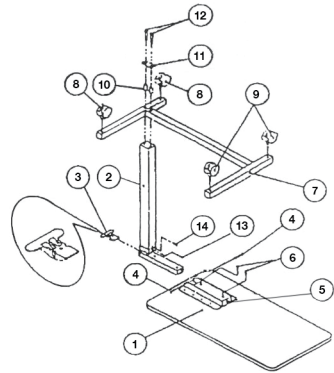


Please read the user's manual closely before using!

Manufactured for:
Dynarex Corporation
10 Glenshaw Street
Orangeburg, NY 10962
USA • www.dynarex.com

Made in China

Parts List

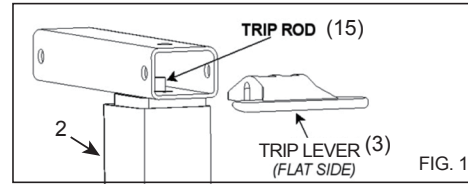


HARDWARE

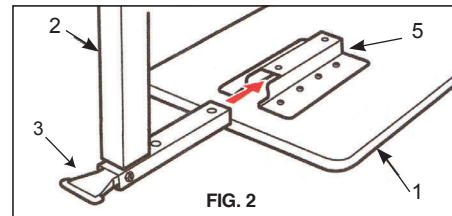
1. Table Top
2. Mast
3. Trip Lever
4. 1/4"-20 x 2 1/8" Bolt & Nut (1 each)
5. Mounting Bracket
6. 1/4"-12 x 1/4" Domed Phillips Head Bolt & Locking Washer (2 each)
7. Base
8. Casters with Lock (2 each)
9. Casters without Lock (2 each)
10. Bolt Sleeves (2 each)
11. Bolt Plate
12. 3/8"-15 x 2" Bolts (2 each)
13. Black Screw
14. Chrome Screw (to replace #13 black screw)
15. Trip Rod 1/4" x 20 1/2" (inside Mast)

Installation

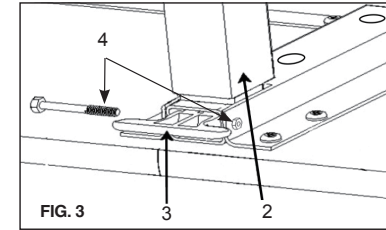
1. Turn the Mast (2) right side up. Ensure Trip Rod (15) is visible inside the rectangular tube, and not protruding out of the tube. If necessary, shake the Mast (2) until the Trip Rod (15) drops into place inside the Mast (2). Next, insert the Trip Lever (3), with flat side facing down into the Mast (2) (Fig. 1).



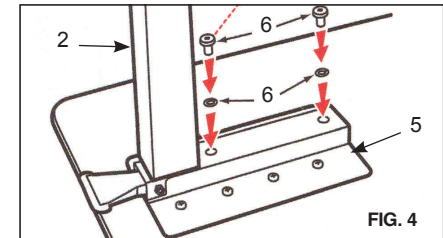
2. Lay Table Top (1) upside down on flat surface with Mounting Bracket (5) facing upward. While holding the Trip Lever (3) securely inside the Mast (2), turn the Mast (2) upside down and insert it into the Mounting Bracket (5) (Fig. 2).



3. Align hole in Mounting Bracket (5) with hole in Mast (2) and hole through Trip Lever (3). Insert 1/4"-20 x 2 1/8" Bolt (4) through all the aligned holes and secure with Nut (4). Tighten with wrench. (Fig. 3.)



4. Install two Domed Phillips Head bolts and Locking Washers (6) through the vertical holes in the Mounting Bracket (5) and into the threaded holes in Mast (2) (Fig. 4.)



5. Install two Casters with Lock (8) into Base (7), on the side with 2 holes. Install two Non-Locking Casters (9) into base (7) on the side opposite the 2 holes (Fig. 5.)

