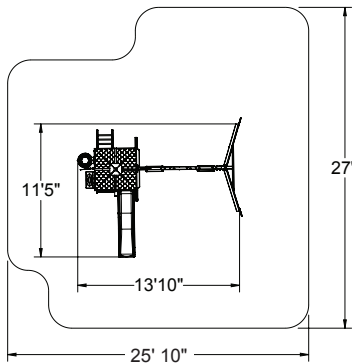


# SUMMERHILL PLAYSET – F29050

## INSTALLATION AND OPERATING INSTRUCTIONS



### **! WARNING**

To reduce the risk of serious injury or death, you must read and follow these instructions. Keep and refer to these instructions often and give them to any future owner of this play system. Manufacturer contact information provided below.

OBSTACLE FREE SAFETY ZONE - 25' 10" x 27' area requires Protective Surfacing. See Page 3

MAXIMUM VERTICAL FALL HEIGHT - **6'9" (2.06m)**

CAPACITY - **10** Users Maximum, Ages **3 to 10**; Weight Limit **110 lbs. (49.9 kg)** per child.

RESIDENTIAL HOME USE ONLY. Not intended for public areas such as schools, churches, nurseries, day cares or parks.

Warning. Only for domestic use.



**12 - 16 Hrs**  
**TWO PERSON ASSEMBLY**



KidKraft, Inc.  
4630 Olin Road  
Dallas, Texas 75244 USA  
customerservice@kidkraft.com  
canadacustomerservice@kidkraft.com  
1.800.933.0771  
972.385.0100  
For online parts replacement visit  
<https://parts.kidkraft.com/>

KidKraft Netherlands BV  
Olympisch Stadion 29  
1076DE Amsterdam  
The Netherlands  
europecustomerservice@kidkraft.com  
+31 20 305 8620 M-F from 09:00 to 17:30  
(GMT+1)  
For online parts replacement visit  
<https://parts.kidkraft.eu/>

### Table of Contents

Warnings and Safe Play Instructions..... pg. 2  
Protective Surfacing Guidelines..... pg. 3  
Instructions for Proper Maintenance..... pg. 4  
About Our Wood – Limited Warranty..... pg. 5  
Keys to Assembly Success..... pg. 6  
Part ID..... pg. 8-15  
Step-By-Step Instructions..... pg. 16-64  
Installation of I.D./Warning Plaque.....Final Step

# Warnings and Safe Play Instructions



**CONTINUOUS ADULT SUPERVISION REQUIRED.** Most serious injuries and deaths on playground equipment have occurred while children were unsupervised! Our products are designed to meet mandatory and voluntary safety standards. Complying with all warnings and recommendations in these instructions will reduce the risk of serious or fatal injury to children using this play system. Go over the warnings and safe play instructions regularly with your children and make certain that they understand and follow them. Remember on-site adult supervision is required for children of all ages.



## WARNING

### SERIOUS HEAD INJURY HAZARD

Installation over concrete, asphalt, dirt, grass, carpet and other hard surface creates a risk of serious injury or death from falls to the ground. Install and maintain shock absorbing material under and around play-set as recommended on page 3 of these instructions.

### COLLISION HAZARD

Place play-set on level ground at least 2m from any obstruction such as a garage or house, fences, poles, trees, sidewalks, walls, landscape timbers, rocks, pavement, planters, garden borders, overhanging branches, laundry lines, and electrical wires. (See OBSTACLE FREE SAFETY ZONE on cover)

### CHOKING HAZARD/SHARP EDGES & POINTS

Adult assembly required. This product contains small parts and parts with sharp edges and points. Keep parts away from children until fully assembled.

### WARNING LABEL

Owners shall be responsible for maintaining the legibility of the warning labels.

### STRANGULATION HAZARD

- NEVER allow children to play with ropes, clotheslines, pet leashes, cables, chains or cord-like items when using this play-set or to attach these items to play-set.
- NEVER allow children to wear loose fitting clothing, ponchos, hoods, scarves, capes, necklaces, items with draw-strings, cords or ties when using this play-set.
- NEVER allow children to wear bike or sport helmets when using this play-set.

Failure to prohibit these items, even helmets with chin straps, increases the risk of serious injury and death to children from entanglement and strangulation.

### TIP OVER HAZARD

Choose a level location for the equipment. This can reduce the likelihood of the play set tipping over and loose-fill surfacing materials washing away during heavy rains.

DO NOT allow children to play on the play-set until the assembly is complete and the unit is properly anchored.

Never add extra length to chain or rope. The chains or ropes provided are the maximum length designed for the swinging element(s).



## WARNING – Safe Play Instructions

- ✓ Observe capacity limitations of your play-set. See front cover.
- ✓ Dress children with well fitting and full foot enclosing footwear.
- ✓ Teach children to sit with their full weight in the center of the swing seat to prevent erratic swing motion or falling off.
- ✓ Check for splintered, broken or cracked wood; missing, loose, or sharp edged hardware. Replace, tighten and or sand smooth as required prior to playing.
- ✓ Verify that suspended climbing ropes, rope ladders, chain or cable are secured at both ends and cannot be looped back on itself as to create an entanglement hazard.
- ✓ On sunny and or hot days, check the slide and other plastic rides to assure that they are not very hot as to cause burns. Cool hot slide and rides with water and wipe dry prior to using.
- ✓ Orientate slide such that it gets the least amount of exposure to the sun.
- ✗ Do not allow children to wear open toe or heel footwear like sandals, flip-flops or clogs.
- ✗ Do not allow children to walk, in front, between, behind or close to moving rides.
- ✗ Do not let children twist swing chains or ropes or loop them over the top support bar. This may reduce the strength of the chain or rope and cause premature failure.
- ✗ Do not let children get off rides while they are in motion.
- ✗ Do not permit climbing on equipment when it is wet.
- ✗ Do not permit rough play or use of equipment in a manner for which it was not intended. Standing on or jumping from the roof, elevated platforms, swings, climbers, ladders or slide can be dangerous.
- ✗ Do not allow children to swing empty rides or seats.
- ✗ Do not allow children to go down slide head first or run up slide.

# ⚠️ Protective Surfacing - Reducing Risk of Serious Head Injury From Falls.

One of the most important things you can do to reduce the likelihood of serious head injuries is to install shock-absorbing protective surfacing under and around your play equipment. The protective surfacing should be applied to a depth that is suitable for the equipment height in accordance with ASTM F1292. There are different types of surfacing to choose from; whichever product you select, follow these guidelines:

## Loose-Fill Materials

- Maintain a minimum depth of 9 inches of loose-fill materials such as wood mulch/chips, engineered wood fiber (EWF), or shredded/recycled rubber mulch for equipment up to 8 feet high; and 9 inches of sand or pea gravel for equipment up to 5 feet high. NOTE: An initial fill level of 12 inches will compress to about a 9-inch depth of surfacing over time. The surfacing will also compact, displace, and settle, and should be periodically raked and refilled to maintain at least a 9-inch depth.
- Use a minimum of 6 inches of protective surfacing for play equipment less than 4 feet in height. If maintained properly, this should be adequate. (At depths less than 6 inches, the protective material is too easily displaced or compacted.)

NOTE: Do not install home playground equipment over concrete, asphalt, or any other hard surface. A fall onto a hard surface can result in serious injury to the equipment user. Grass and dirt are not considered protective surfacing because wear and environmental factors can reduce their shock absorbing effectiveness. Carpeting and thin mats are not adequate protective surfacing. Ground level equipment -- such as a sandbox, activity wall, playhouse or other equipment that has no elevated play surface -- does not need any protective surfacing.

- Use containment, such as digging out around the perimeter and/or lining the perimeter with landscape edging. Don't forget to account for water drainage.
- Periodically rake, check and maintain the depth of the loose-fill surfacing material. Marking the correct depth on the play equipment support posts will help you to see when the material has settled and needs to be raked and or replenished. Be sure to rake and evenly redistribute the surfacing in heavily used areas.
- Do not install loose fill surfacing over hard surfaces such as concrete or asphalt.

## Poured-In-Place Surfaces or Pre-Manufactured Rubber Tiles

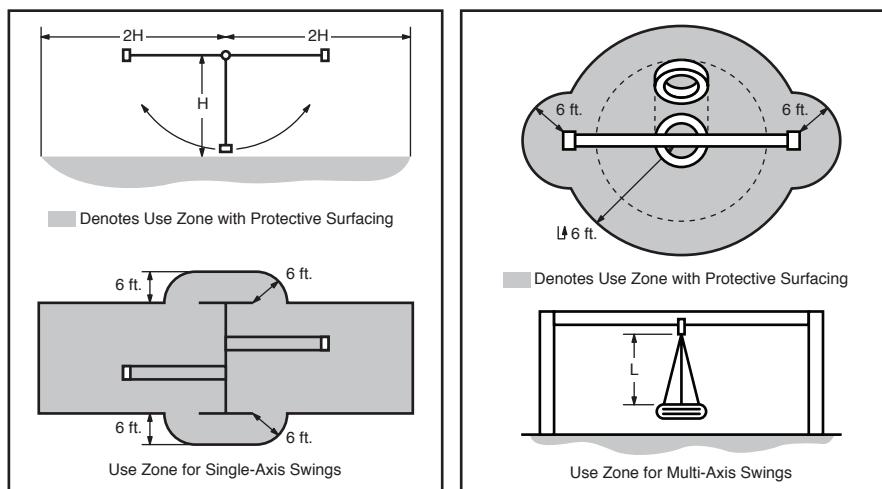
You may be interested in using surfacing other than loose-fill materials - like rubber tiles or poured-in-place surfaces.

- Installations of these surfaces generally require a professional and are not “do-it yourself” projects.
- Review surface specifications before purchasing this type of surfacing. Ask the installer/manufacture for a report showing that the product has been tested to the following safety standard: ASTM F1292 *Standard Specification for Impact Attenuation of Surfacing Materials within the Use Zone of Playground Equipment*. This report should show the specific height for which the surface is intended to protect against serious head injury. This height should be equal to or greater than the fall height - vertical distance between a designated play surface (*elevated surface for standing, sitting, or climbing*) and the protective surfacing below - of your play equipment.
- Check the protective surfacing frequently for wear.

## Placement

Proper placement and maintenance of protective surfacing is essential. Refer to diagram on front cover. Be sure to;

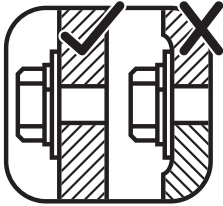
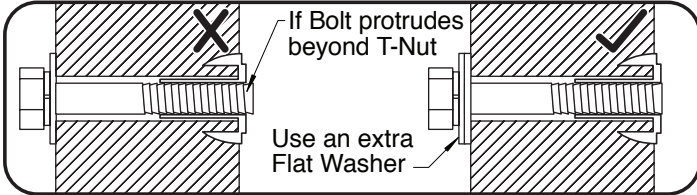
- Extend surfacing at least 2m from the equipment in all directions.
- For to-fro swings, extend protective surfacing in front of and behind the swing to a distance equal to twice the height of the top bar from which the swing is suspended.
- For tire swings, extend surfacing in a circle whose radius is equal to the height of the suspending chain or rope, plus 6 feet in all directions.



# Instructions for Proper Maintenance

Your KidKraft Play System is designed and constructed of quality materials with your child's safety in mind. As with all outdoor products used by children, it will weather and wear. To maximize the enjoyment, safety and life of your Play Set, it is important that you, the owner, properly maintain it.

## Check the following at the beginning of the play season:

|  |  |
|--|--|
| <p><b>HARDWARE:</b></p> <ul style="list-style-type: none"> <li>✓ Check metal parts for rust. If found, sand and repaint using a non-lead paint complying with 16 CFR 1303.</li> <li>✓ Inspect and tighten all hardware. On wood assemblies <b>DO NOT OVER-TIGHTEN</b> as to cause crushing and splintering of wood.</li> <li>✓ Check for sharp edges or protruding screw threads, add washers if required.</li> </ul>   <p><b>SHOCK ABSORBING SURFACING:</b></p> <ul style="list-style-type: none"> <li>✓ Check for foreign objects. Rake and check depth of loose fill protective surfacing materials to prevent compaction and maintain appropriate depth. Replace as necessary. (See Protective Surfacing, page 3)</li> </ul> | <p><b>GROUND STAKES (ANCHORS):</b></p> <ul style="list-style-type: none"> <li>✓ Check for looseness, damage or deterioration. Should firmly anchor unit to ground during use. Re-secure and or replace, if necessary.</li> </ul> <p><b>SWING HANGERS:</b></p> <ul style="list-style-type: none"> <li>✓ Check that bolts are secure and tight. Quick clips should be completely closed and threaded clips screwed tight.</li> <li>✓ If squeaking occurs lubricate bushings with oil or WD-40®.</li> </ul> <p><b>SWINGS, ROPES AND RIDES:</b></p> <ul style="list-style-type: none"> <li>✓ Reinstall if removed during cold season. Check all moving parts including swing seats, ropes, chains and attachments for wear, rust and other deterioration. Replace as needed.</li> <li>✓ Check that ropes are tight, secure at both ends and cannot loop back as to create an entrapment.</li> </ul> <p><b>WOOD PARTS:</b></p> <ul style="list-style-type: none"> <li>✓ Check all wood members for deterioration, structural damage and splintering. Sand down splinters and replace deteriorated wood members. As with all wood, some checking and small cracks in grain is normal.</li> <li>✓ Unprotected, they will appear weathered over time. Periodic application of an exterior water repellent or stain (water-based) will help improve appearance and life.</li> </ul> |
|--|--|

## Check twice a month during play season:

|   |   |
|---|---|
| <p><b>HARDWARE:</b></p> <ul style="list-style-type: none"> <li>✓ Inspect for tightness. Must be firmly against, but not crushing the wood. <b>DO NOT OVER-TIGHTEN.</b> This will cause splintering of wood.</li> <li>✓ Check for sharp edges or protruding screw threads. Add washers if required.</li> </ul> | <p><b>SHOCK ABSORBING SURFACING:</b></p> <ul style="list-style-type: none"> <li>✓ Rake and check depth of loose fill protective surfacing materials to prevent compaction and maintain appropriate depth. Replace as necessary. (See Protective Surfacing, page 3)</li> </ul> |
|---|---|

## Check once a month during play season:

|  |   |
|--|---|
| <p><b>SWING HANGERS:</b></p> <ul style="list-style-type: none"> <li>✓ Check that they are secure and orientated correctly. Hook should rotate freely and perpendicular to support beam.</li> <li>✓ If squeaking occurs lubricate bushings with oil or WD-40®.</li> </ul> | <p><b>SWINGS AND RIDES:</b></p> <ul style="list-style-type: none"> <li>✓ Check swing seats, all ropes, chains and attachments for fraying, wear, excessive corrosion or damage. Replace if structurally damaged or deteriorated.</li> </ul> |
|--|---|

## Check at the end of the play season:

|  |   |
|--|---|
| <p><b>SWINGS AND RIDES:</b></p> <ul style="list-style-type: none"> <li>✓ To prolong their life, remove swings and store inside when outside temperature is below 32°F/0°C. Below freezing, plastic parts may become more brittle.</li> </ul> | <p><b>SHOCK ABSORBING SURFACING:</b></p> <ul style="list-style-type: none"> <li>✓ Rake and check depth of loose fill protective surfacing materials to prevent compaction and maintain appropriate depth. Replace as necessary. (See Protective Surfacing, page 3)</li> </ul> |
|--|---|

**If you dispose of your play set:** Please disassemble and dispose of your unit so that it does not create any unreasonable hazards at the time it is discarded. Be sure to follow your local waste ordinances.

## About Our Wood

KidKraft Premium Play Systems uses only premium playset lumber, ensuring the safest product for your children's use. Although we take great care in selecting the best quality lumber available, wood is still a product of nature and susceptible to weathering which can change the appearance of your set.

### What causes weathering? Does it affect the strength of my Play System?

One of the main reasons for weathering is the effects of water (moisture); the moisture content of the wood at the surface is different than the interior of the wood. As the climate changes, moisture moves in or out of the wood, causing tension which can result in checking and or warping. You can expect the following due to weathering. These changes will not affect the strength of the product:

1. **Checking** is surface cracks in the wood along the grain. A post (4" x 4") will experience more checking than a board (1" x 4") because the surface and interior moisture content will vary more widely than in thinner wood.
2. **Warping** results from any distortion (twisting, cupping) from the original plane of the board and often happens from rapid wetting and drying of the wood.
3. **Fading** happens as a natural change in the wood color as it is exposed to sun-light and will turn a grey over time.

### How can I reduce the amount of weathering to my Play System?

At the factory we have coated the wood with a water repellent or stain. This coating decreases the amount of water absorption during rain or snow thus decreasing the tension in the wood. Sunlight will break down the coating, so we recommend applying a water repellent or stain on a yearly basis (see your local stain and paint supplier for a recommended product).

Most weathering is just the normal result of nature and will not affect safe play and enjoyment for your child. However if you are concerned that a part has experienced a severe weathering problem please call our consumer relations department for further assistance.

### Complete and mail registration card to receive important product notifications and assure prompt warranty service.

## 5 Year Limited Warranty

KidKraft warrants that this product is free from defect in materials and workmanship for a period of one year from the original date of purchase. In addition, lumber is warranted for 5 years against structural failure due to rot and insect damage. All other parts, such as hardware, swings, rides, accessories, and slides carry a one-year warranty only.

This warranty applies to the original owner and registrant and is non-transferable.

Regular maintenance is required to assure the integrity of your Play System. This warranty does not cover any inspection cost.

This Limited Warranty does not cover:

- Labor for replacement of any defective item(s);
- Incidental or consequential damages;
- Cosmetic defects which do not affect performance or integrity;
- Vandalism; improper use or installation; acts of nature;
- Minor twisting, warping, checking, or any other natural occurring properties of wood that do not affect performance or integrity.

KidKraft products have been designed for safety and quality. Any modifications made to the original product could damage the structural integrity of the unit leading to failure and possible injury.

Kidkraft cannot assume any responsibility for modified products. Furthermore, modification voids any and all warranties.

This product is warranted for **RESIDENTIAL USE ONLY**. Under no circumstance should a KidKraft Play System be used in public settings such as schools, churches, playgrounds, parks, day cares and the like. Such use may lead to product failure and potential injury. Any and all public use will void this warranty.

KidKraft disclaims all other representations and warranties of any kind, express or implied.

This Warranty gives you specific legal rights. You may have other rights as well which vary from state to state or province to province. This warranty excludes all consequential damages, however, some states do not allow the limitation or exclusion of consequential damages, and therefore this limitation may not apply to you.

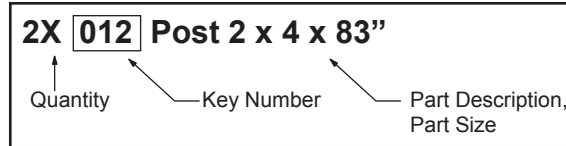
# Keys to Assembly Success

## Tools Required

|  |  |   |  |
|--|--|---|--|
| <ul style="list-style-type: none"> <li>• Tape Measure</li> <li>• Carpenters Level</li> <li>• Carpenters Square</li> <li>• Claw Hammer</li> <li>• Standard or Cordless Drill</li> </ul> | <ul style="list-style-type: none"> <li>• #1, #2 &amp; #3 Phillips or Robertson Bits or Screwdriver</li> <li>• Ratchet with extension (1/2" &amp; 9/16" sockets)</li> </ul> | <ul style="list-style-type: none"> <li>• Open End Wrench (7/16", 1/2" &amp; 9/16")</li> <li>• Adjustable Wrench</li> <li>• 1/8" &amp; 3/16" Drill Bits</li> <li>• Pencil</li> </ul> | <ul style="list-style-type: none"> <li>• 3/16" Hex Key</li> <li>• 8' Step Ladder</li> <li>• Safety Glasses</li> <li>• Adult Helpers</li> </ul> |
|--|--|---|--|

## Part Identification Key

On each page, you will find the parts and quantities required to complete the assembly step illustrated on that page. Here is a sample.



**Key Number:** The first two digits represent the step number. The third digit represents the piece. Note that if the part is used in multiple steps then the number only reflects the first step it is used in.

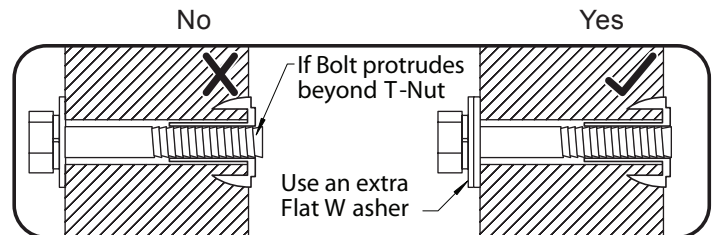
## Symbols

Throughout these instructions symbols are provided as important reminders for proper and safe assembly.

|  |  |
|--|--|
| <p>This identifies information that requires special attention. Improper assembly could lead to an unsafe or dangerous condition.</p>                                | <p>Check that set or assembly is properly level before proceeding.</p> <p>Use Level</p>  |
| <p>Use Help</p> <p>Where this is shown, 2 or 3 people are required to safely complete the step. To avoid injury or damage to the assembly make sure to get help!</p> | <p>Pre-drill 1/8" &amp; 3/16" Bit</p> <p>Pre-drill a pilot hole before fastening screw or lag to prevent splitting of wood.</p>                                    |
| <p>Measure Distance</p> <p>Check that assembly is square before tightening bolts.</p> <p>Use a measuring tape to assure proper location.</p>                         | <p>Tighten Bolts</p> <p>This indicates time to tighten bolts, but not too tight! Do not crush the wood. This may create splinters and cause structural damage.</p> |
| <p>Square Assembly</p>   |  |

## CAUTION – Protrusion Hazard

Once the assembly is tightened, watch for exposed threads. If a thread protrudes from the T-Nut, remove the bolt and add washers to eliminate this condition. Extra washers have been provided for this purpose.

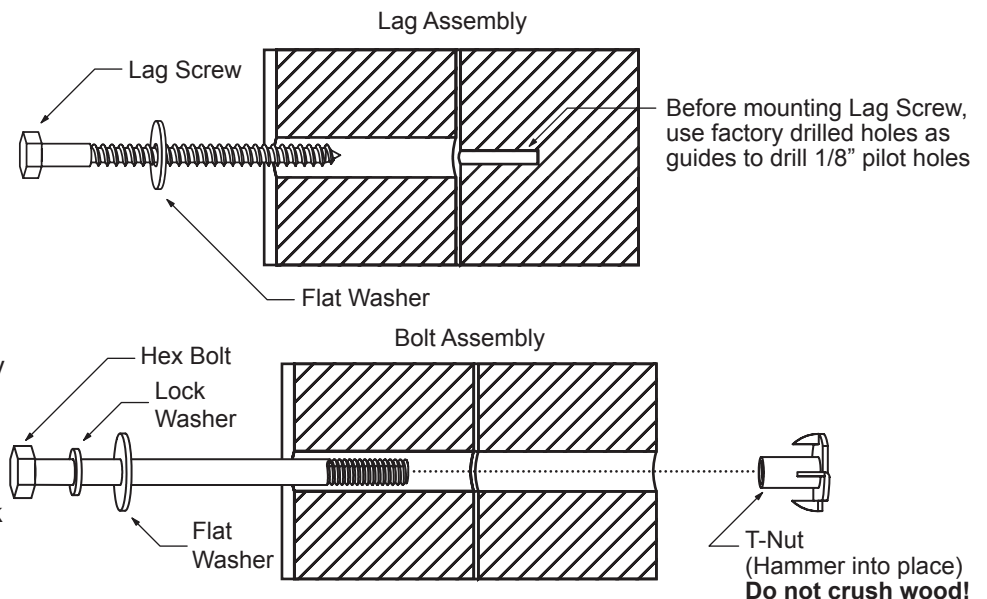


## Proper Hardware Assembly

Lag screws require drilling pilot holes to avoid splitting wood. Only a flat washer is required. For ease of installation liquid soap can be used on all lag-type screws.

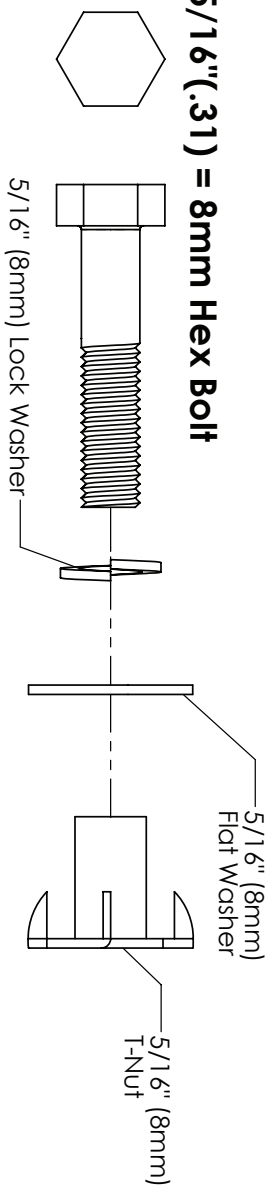
For bolts, tap T-Nut into hole with hammer. Insert the hex bolt through lock washer first then flat washer then hole. Because the assemblies need to be squared do not completely tighten until instructed. Pay close attention to diameter of the bolts. 5/16" is slightly larger than 1/4".

**Note:** Wafer head bolts with blue lock tight or a bolt with a Ny-Lok nut do NOT require a lock washer.

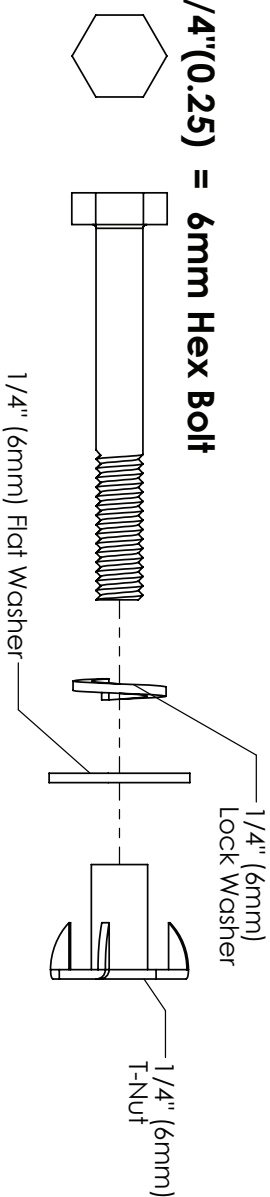


# KIDKRAFT HARDWARE

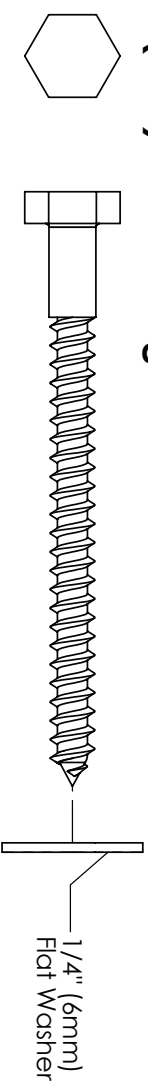
**5/16"(.31) = 8mm Hex Bolt**



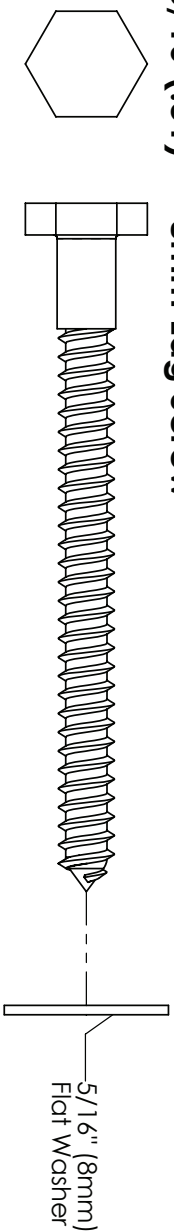
**1/4"(0.25) = 6mm Hex Bolt**



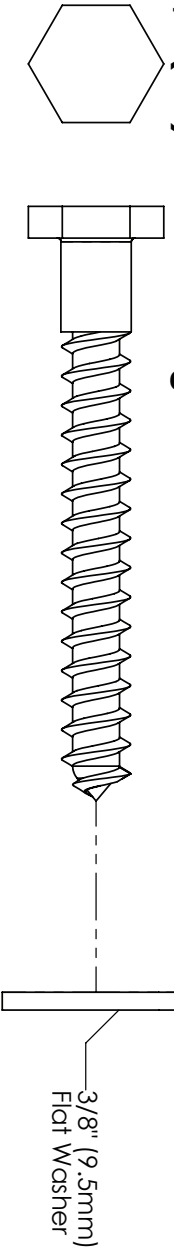
**1/4"(0.25) = 6mm Lag Screw**



**5/16"(.31) = 8mm Lag Screw**



**3/8"(.38) = 9.5mm Lag Screw**



**HARDWARE LENGTH CHART**  
inches vs millimetres

|       |      |
|-------|------|
| 6     | 152  |
| 5½    | 140  |
| 5     | 127  |
| 4½    | 114  |
| 4     | 102  |
| 3½    | 89   |
| 3     | 76   |
| 2½    | 64   |
| 2     | 51   |
| 1½    | 38   |
| 1¼    | 32   |
| 1-1/8 | 29   |
| 1     | 25.4 |
| 7/8   | 22   |
| 3/4   | 19   |
| 1/2   | 12.7 |

## DIAMETER CONVERSION

1 inch = 25.4mm

**For example:**

BOLT DIAMETER 5/16 (0.31) inches

0.31 inches x 25.4mm = 8mm

## LENGTH CONVERSION

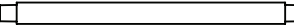
1 inch = 25.4mm

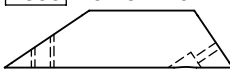
**For example:**


BOLT LENGTH 4½ (4.5) inches long

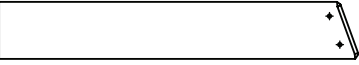
4.5 inches x 25.4mm = 114mm long


# Part Identification (Reduced Part Size)

3pc. - **[1578]** - 28.6 x 403.2mm - Dowel -Tennon  
 - Box 1 - 3681578

4pc. - **[2850]** - 31.8 x 76.2 x 304.8mm - Tower Gusset  
 - Box 1 - 3562850

2pc. - **[2606]** - 23.8 x 82.6 x 362 mm - SW Ground  
 - Box 1 - 3562606

1pc. - **[9195]** - 31.8 x 76.2 x 482.6mm - Ladder Brace  
 - Box 1 - 3569195

1pc. - **[2847]** - 25.4 x 63.5 x 419.1mm - Rock Support  
 - Box 1 - 3562847

6pc. - **[2840]** - 19.1 x 63.5 x 444.5mm - Balluster - Box 1 - 3562840  


2pc. - **[2607]** - 31.8 x 76.2 x 558.8mm - Diagonal - Box 1 - 3562607  


4pc. - **[2844]** - 31.8 x 63.5 x 479.4mm - Horizontal - Box 1 - 3562844  


1pc. - **[2602]** - 31.8 x 76.2 x 912.8 mm - Upper Jamb - Box 1 - 3562602  

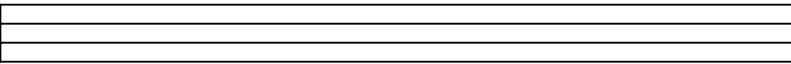

2pc. - **[2774]** - 31.8 x 76.2 x 1066.8mm - Upright - Box 1 - 3562774  

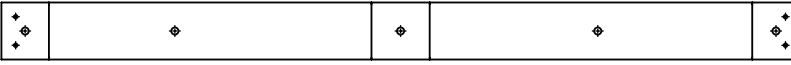

2pc. - **[2610]** - 38.1 x 38.1 x 1022.4mm - Side Joist - Box 1 - 3562610  


1pc. - **[2648]** - 15.9 x 85.7 x 1031.9 mm - Floor Board - Box 1 - 3582648  


8pc. - **[2609]** - 15.9 x 114.3 x 1031.9mm - Floor Board - Box 1 - 3582609  


1pc. - **[2608]** - 31.8 x 76.2 x 1035.1mm - Floor Joist - Box 1 - 3562608  


2pc. - **[2601]** - 31.8 x 76.2 x 1065.2 mm - Lower Jamb - Box 1 - 3562601  


2pc. - **[2772]** - 31.8 x 76.2 x 1066.8mm - Panel Floor Support - Box 1 - 3562772  


4pc. - **[2769]** - 31.8 x 76.2 x 1066.8mm - Panel BT Frame - Box 1 - 3562769  

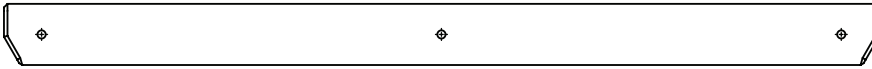

1pc. - **[2768]** - 31.8 x 76.2 x 1066.8mm - Panel Floor - Box 1 - 3562768  


2pc. - **[2775]** - 31.8 x 76.2 x 1066.8mm - Panel Cross Support - Box 1 - 3562775  




# Part Identification (Reduced Part Size)

1pc. - **2616** - 23.8 x 82.6 x 1181.1mm - SW Support - Box 1 - 3562616



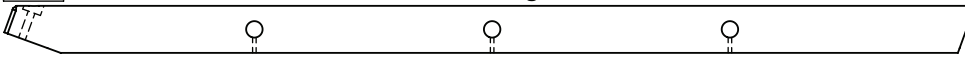
4pc. - **2851** - 15.9 x 114.3 x 1193.8mm - Vertical Rock Board - Box 1 - 3582851



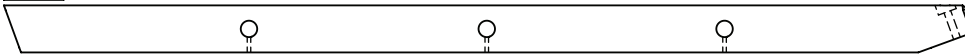
1pc. - **2615** - 76.2 x 76.2 x 1294.3mm - SW Upright - Box 1 - 3562615



1pc. - **2846** - 34.9 x 63.5 x 1310.5mm - Ladder Rail Right - Box 1 - 3582846



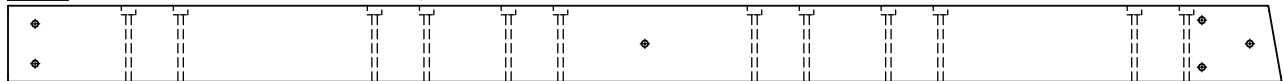
1pc. - **2845** - 34.9 x 63.5 x 1310.5mm - Ladder Rail Left - Box 1 - 3582845



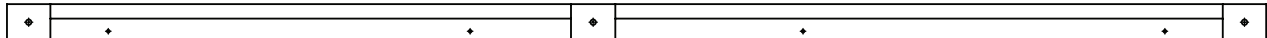
2pc. - **2613** - 50.8 x 76.2 x 2201.9mm - Heavy SW Post - Box 1 - 3562613



1pc. - **2614** - 76.2 x 133.4 x 2235.2mm - Engineered Beam - Box 1 - 3562614



3pc. - **2771** - 31.8 x 63.5 x 2209.8 mm - End Post - Box 1 - 3562771

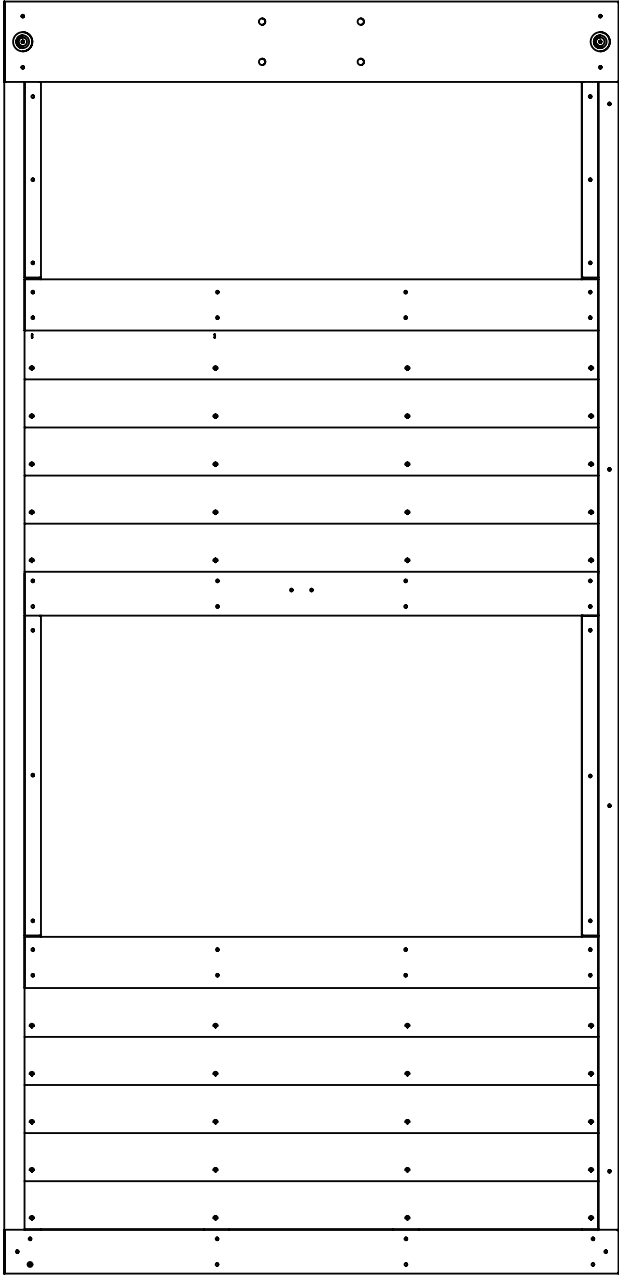


3pc. - **2770** - 31.8 x 63.5 x 2209.8 mm - End Post Left - Box 1 - 3562770

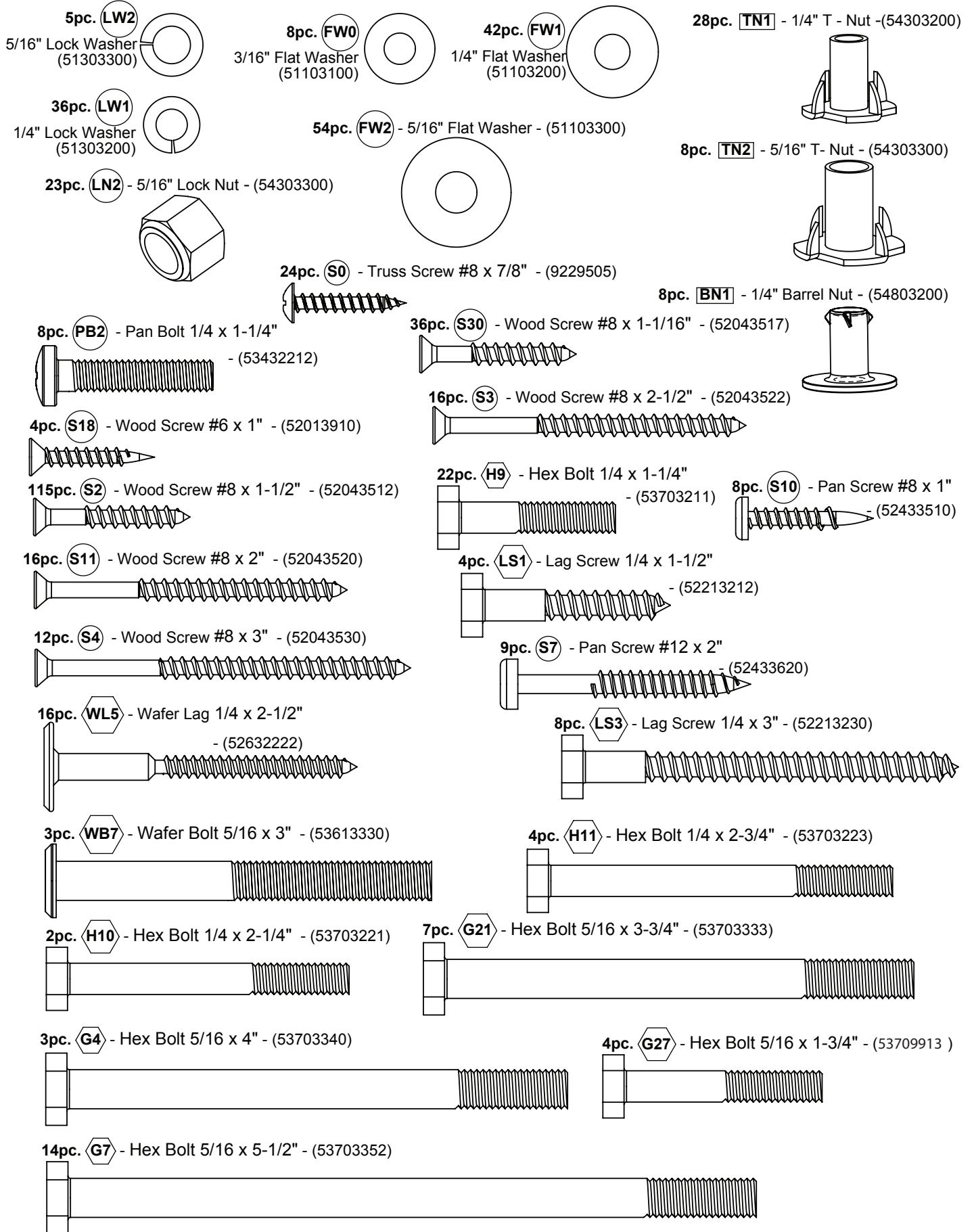


# Part Identification (Reduced Part Size)

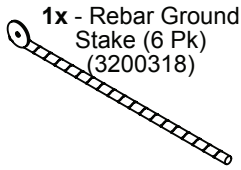
1pc. - **2627** - 31.8 x 1066.8 x 2209.8 mm - SW Wall Panel - Box 1 - 37562627



# Hardware Identification (Actual Size)

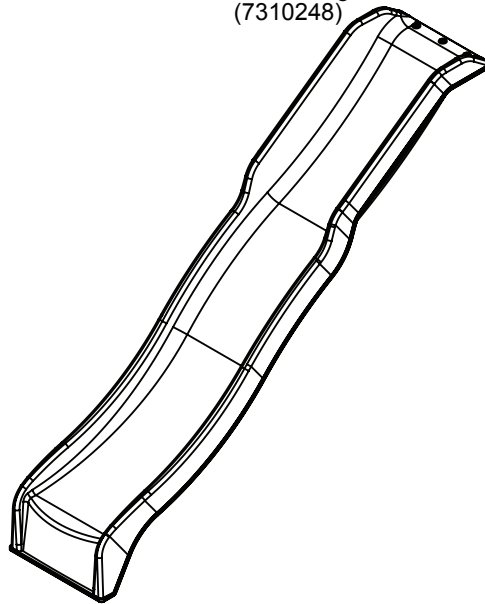


# Part Identification (Reduced Part Size)



1x - Rebar Ground Stake (6 Pk)  
(3200318)

1x - Slide 48" High Rail  
(7310248)



1x - Kidkraft ID Plaque  
(9320374)

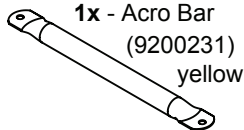


1x - KidKraft Plaque  
(3320353)

2x - Rocks (4 Pk)  
(3322384) - Green Gecko



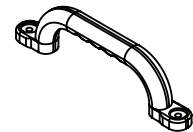
2x - Acro Handle  
(9320231) Yellow



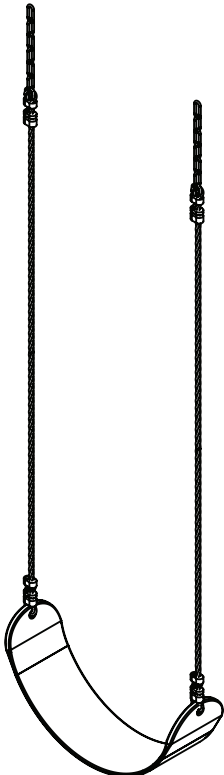
1x - Acro Bar  
(9200231)  
yellow



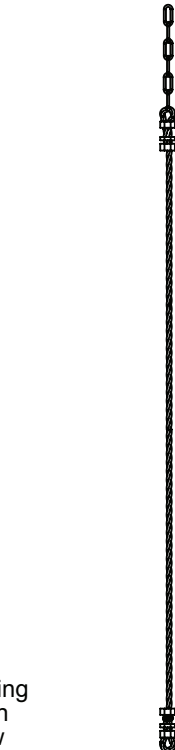
1x - Jamb Mount (6Pk)  
(3321606)



2x - Hand Grip  
(9320240)



2x - Long Belt Swing  
w/ Welded Chain  
(3722339) Yellow



1x - Acro Rope & Chain (2Pk)  
(3502025)



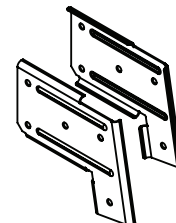
1x - Quick Link with Thread (4 Pk)  
(3200020)



1x - DX Swing Hangers (6 Pk)  
(3216106)



1x - Beam L Bracket (2 Pk)  
(3201645)



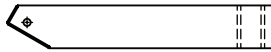
1x - Beam Set  
((3201643)

# Part Identification (Reduced Part Size)

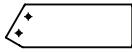
1pc. - **2839** - 12.7 x 57.2 x 428.6mm - Bottom - Box 1 - 3582839



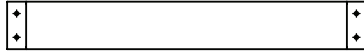
2pc. - **2837** - 25.4 x 57.2 x 355.6mm - Diagonal - Box 1 - 3582837



2pc. - **2838** - 25.4 x 57.2 x 164.8mm - Leg - Box 1 - 3582838



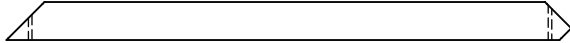
1pc. - **2844** - 31.8 x 63.5 x 479.4mm - Horizontal - Box 1 - 3582844



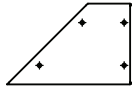
4pc. - **2853** - 25.4 x 50.8 x 946.2mm - Roof Support - Box 1 - 3582853



8pc. - **2852** - 25.4 x 50.8 x 754.7mm - Roof End - Box 1 - 3582852



8pc. - **2841** - 15.9 x 108 x 169.3mm - Gable Board A - Box 1 - 3582841



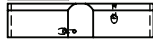
8pc. - **2842** - 15.9 x 108 x 277.2mm - Gable Board B - Box 1 - 3582842



4pc. - **2843** - 15.9 x 108 x 304.8mm - Gable Board C - Box 1 - 3582843



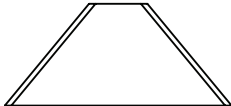
2pc. - **2939** - 25 x 45 x 194.8mm - Cupola Mount - Box 1 - 3582939



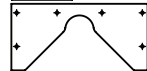
2pc. - **2936** - 15 x 25 x 182mm - Cupola Front Top - Box 1 - 3582936



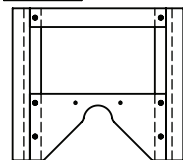
4pc. - **2940** - 15 x 136 x 303mm - Cupola Roof - Box 1 - 3742940



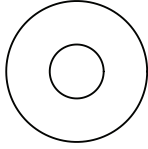
2pc. - **2938** - 15 x 88.9 x 182mm - Cupola Side Base - Box 1 - 3582938



2pc. - **2936A** - 38 x 203.2 x 228mm - Bell Cupola Side - Box 1 - 3582936



# Hardware Identification (Actual Size)



2pc. **FW1**  
1/4" Flat Washer  
(51103200)

8pc. **S33** - Wood Screw #8 x 1" - (52043510)



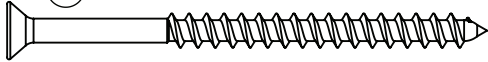
104pc. **S2** - Wood Screw #8 x 1-1/2" - (52043512)



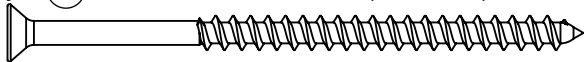
28pc. **S11** - Wood Screw #8 x 2" - (52043522)



8pc. **S3** - Wood Screw #8 x 2-1/2" - (52043522)



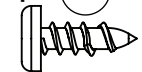
28pc. **S4** - Wood Screw #8 x 3" - (52043530)



16pc. **TS** - Trim Screw #6 x 30mm - (52953911)



18pc. **S37** - Pan Screw #7 x 5/8"



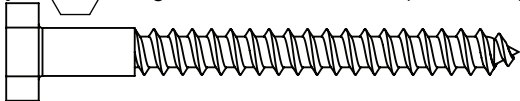
- (52433009)

20pc. **S10** - Pan Screw #8 x 1"



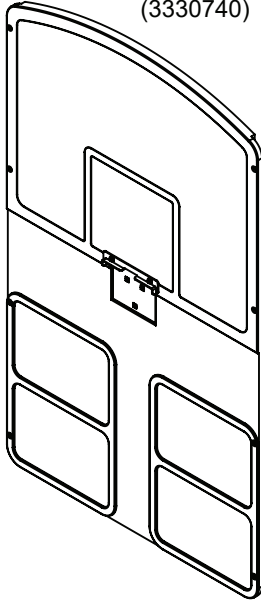
- (52433510)

2pc. **LS2** - Lag Screw 1/4 x 2-1/2" - (52213222)

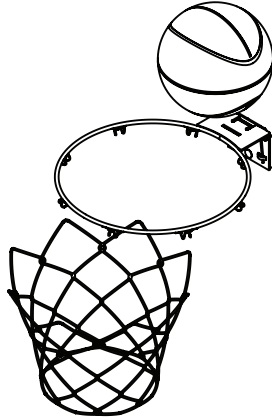


# Part Identification (Reduced Part Size)

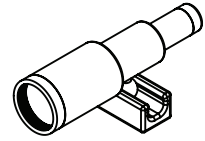
**1x** - Basketball Backboard with Pinch Guard  
(3330740)



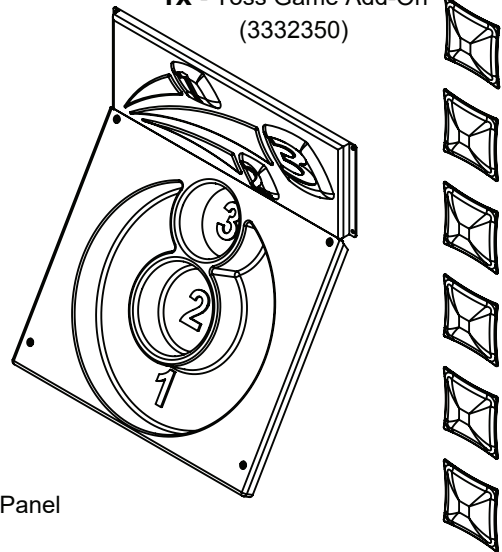
**1x** - Hoop Net and Ball  
(3330052)



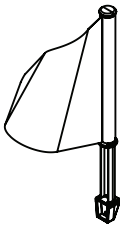
**1x** - Telescope w Mount  
(3322361)



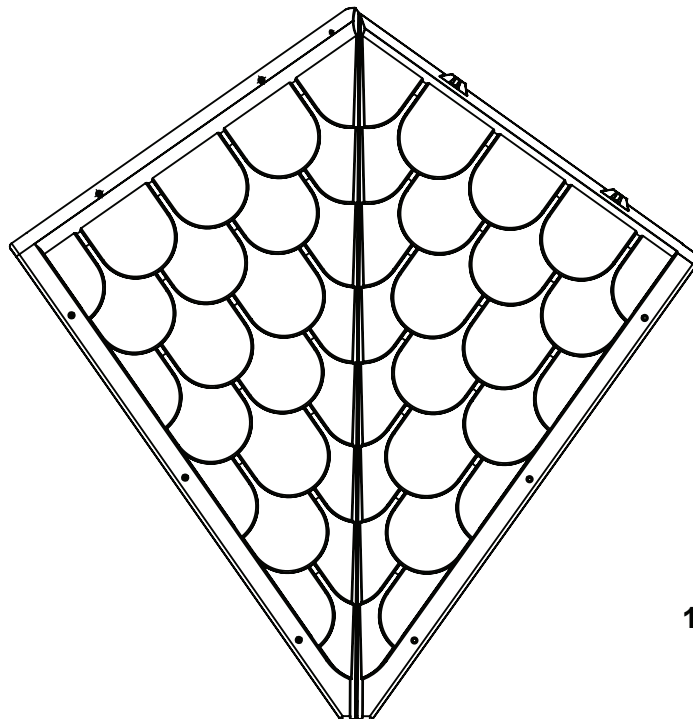
**1x** - Toss Game Add-On  
(3332350)



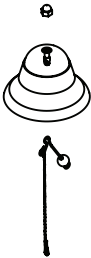
**1x** - Flag and Pole  
(2pk)(3320232)



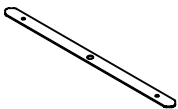
**4x** - Four Gable Roof Panel  
(9327499)



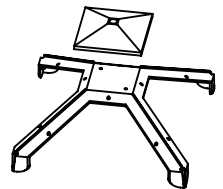
**1x** - Bell Set  
(3201608)



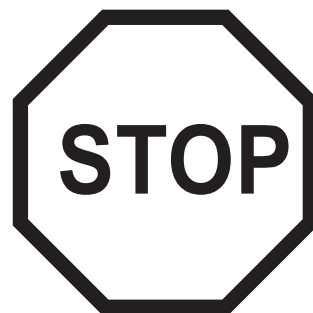
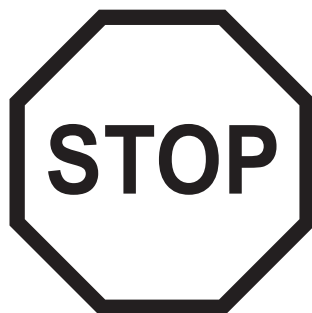
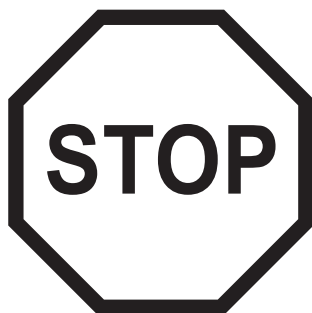
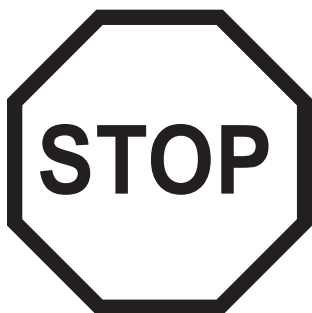
**1x** - Steel Cupola Mount  
(9201609)



**1x** - Base Roof Mount Set  
(3327434)



## Step 1: Inventory Parts - Read This Before Starting Assembly



- A.** This is the time for you to inventory all your hardware, wood and accessories, referencing the parts identification sheets. This will assist you with your assembly.
- The wood pieces will have the four digit key number stamped on the ends of the boards. The wood pieces are referenced throughout the instructions with this number.
  - Please refer to Page 6 for proper hardware assembly.
  - Each step indicates which bolts and/or screws you will need for assembly, as well as any flat washers, lock washers, t-nuts or lock nuts.
- B.** If there are any missing or damaged pieces or you need assistance with assembly please contact the consumer relations department directly. Call us before going back to the store.

**1.800.933.0771 or 972.385.0100**  
**customerservice@kidkraft.com**  
**canadacustomerservice@kidkraft.com**  
For online parts replacement visit  
<https://parts.kidkraft.com/>

**+31 20 305 8620**  
**europcustomerservice@KidKraft.com**  
For online parts replacement visit  
<https://parts.kidkraft.eu/>

- C.** Read the assembly manual completely, paying special attention to ANSI warnings; notes; and safety/maintenance information.
- D.** Before you discard your cartons fill out the form below.
- The carton I.D. stamp is located on the end of each carton. The tracking number is located on the KidKraft ID Plaque (9320374).
  - Please retain this information for future reference. You will need this information if you contact the Consumer Relations Department.

### MODEL NUMBER: **F29050**

CARTON I.D. STAMP: \_ \_ \_ \_ \_ 14459 \_ (Box 1)

CARTON I.D. STAMP: \_ \_ \_ \_ \_ 14459 \_ (Box 4)

CARTON I.D. STAMP: \_ \_ \_ \_ \_ 14459 \_ (Box 2)

CARTON I.D. STAMP: \_ \_ \_ \_ \_ 14459 \_ (Box 5)

CARTON I.D. STAMP: \_ \_ \_ \_ \_ 14459 \_ (Box 3)

CARTON I.D. STAMP: \_ \_ \_ \_ \_ 14459 \_ (Box 6)

TRACKING NUMBER (from ID Plaque): \_\_\_\_\_



## Step 2: Front and Back Wall Prep Part 1



*It is important to assemble the frame on a flat, smooth surface.*

**A:** Place (2771) End Post and (2770) End Post Left side by side with the grooves facing up and in. Put (2770) End Post Left on the right hand side. Place (2775) Panel Cross Support in the top grooves, (2772) Panel Floor Support in the middle grooves and (2769) Panel BT Frame in the bottom grooves. (fig. 2.1).

**B:** Make sure assembly is square then attach with 4 (S30) #8 x 1-1/16" Wood Screws per board. (fig. 2.1)

**C:** Tap 3 (TN1) 1/4" T-nuts in (2775) Panel Cross Support and (2772) Panel Floor Support and 2 in (2769) Panel BT Frame. (fig. 2.1 and 2.2)

Fig. 2.1

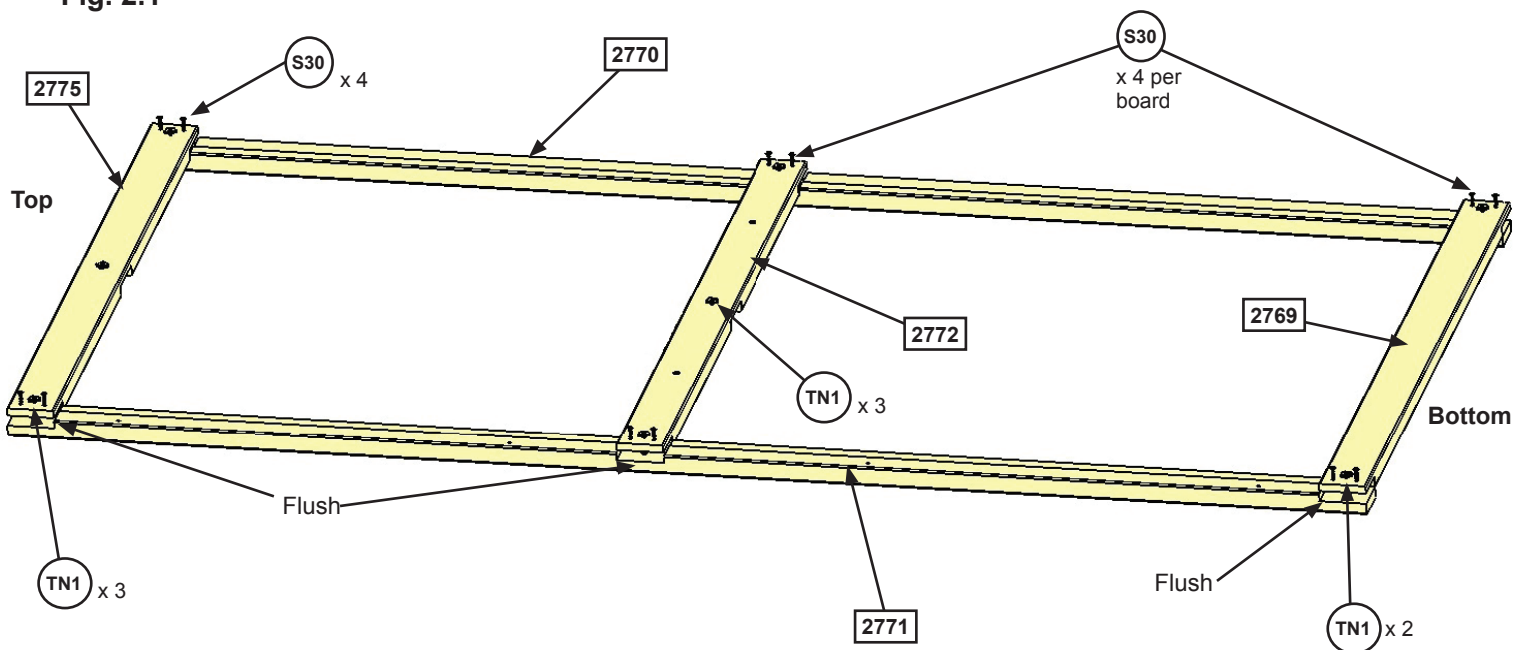
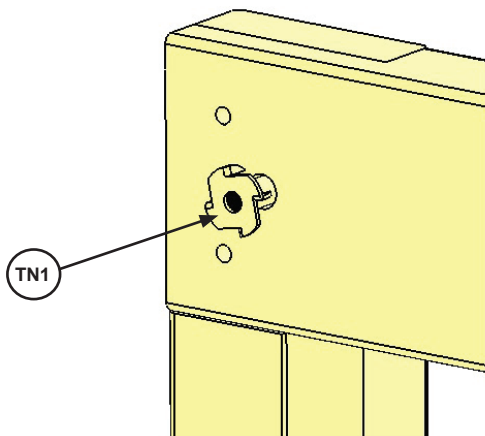


Fig. 2.2



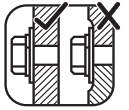
### Wood Parts

|     |  |  |
|-----|--|--|
| 2 x |  | End Post 31.8 x 63.5 x 2209.8 mm           |
| 2 x |  | End Post Left 31.8 x 63.5 x 2209.8 mm      |
| 2 x |  | Panel Cross Support 31.8 x 76.2 x 1066.8mm |
| 2 x |  | Panel Floor Support 31.8 x 76.2 x 1066.8mm |
| 2 x |  | Panel BT Frame 31.8 x 76.2 x 1066.8mm      |

### Hardware

|      |  |                         |
|------|--|-------------------------|
| 24 x |  | #8 x 1-1/16" Wood Screw |
| 16 x |  | 1/4" T-nut              |

## Step 2: Front and Back Wall Prep Part 2



*It is important to assemble the frame on a flat, smooth surface.*

**D:** Turn the assembly over, place (2774) Upright in the middle grooves of (2775) Panel Cross Support and (2772) Panel Floor Support then attach all boards with 8 (H9) Hex Bolts (with lock washer and flat washer) connecting to the previously installed t-nuts. (fig. 2.3 and 2.4)

**E:** Repeat steps A-D for a second assembly.

Fig. 2.3

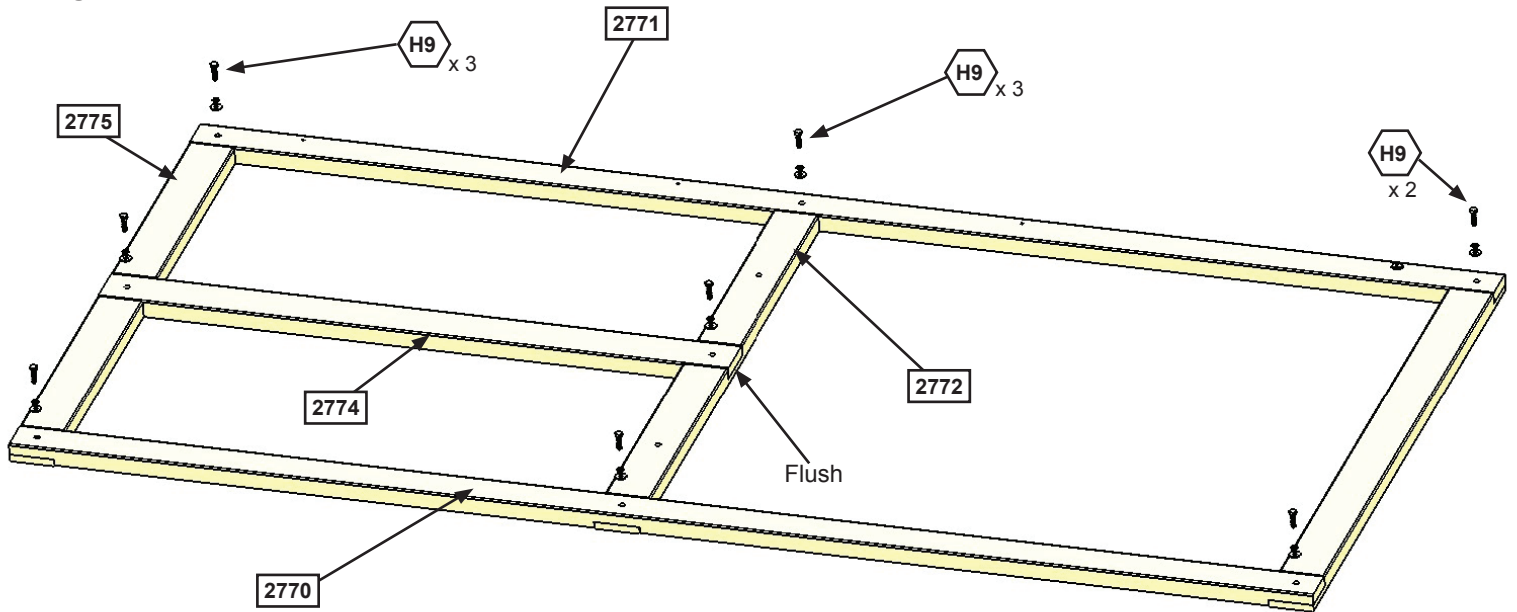
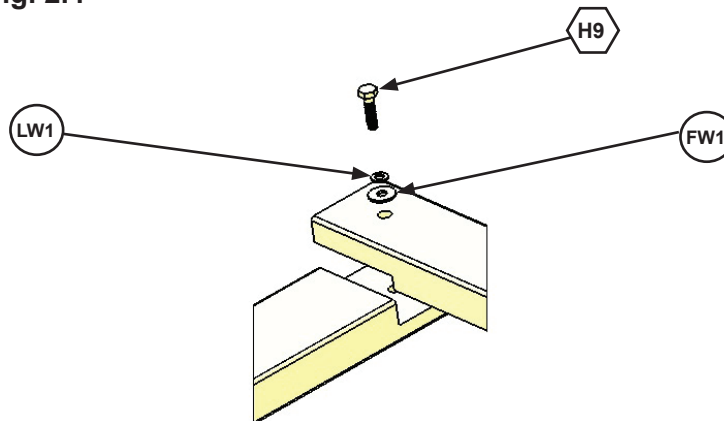


Fig. 2.4



### Wood Parts

2 x Upright 31.8 x 76.2 x 1066.8mm

### Hardware

16 x Hex Bolt  
(lock washer & flat washer)

# Step 3: End Wall Prep Part 1



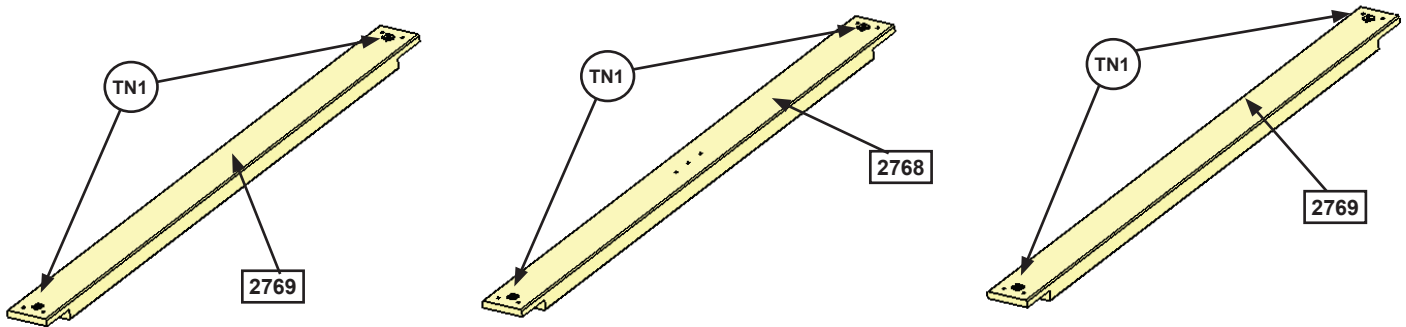
*It is important to assemble the frame on a flat, smooth surface.*

**A:** Place (2768) Panel Floor and 2 (2769) Panel BT Frames on a hard, flat surface with the long side up. Tap in 2 (TN1) T-nuts per board. (fig. 3.1)

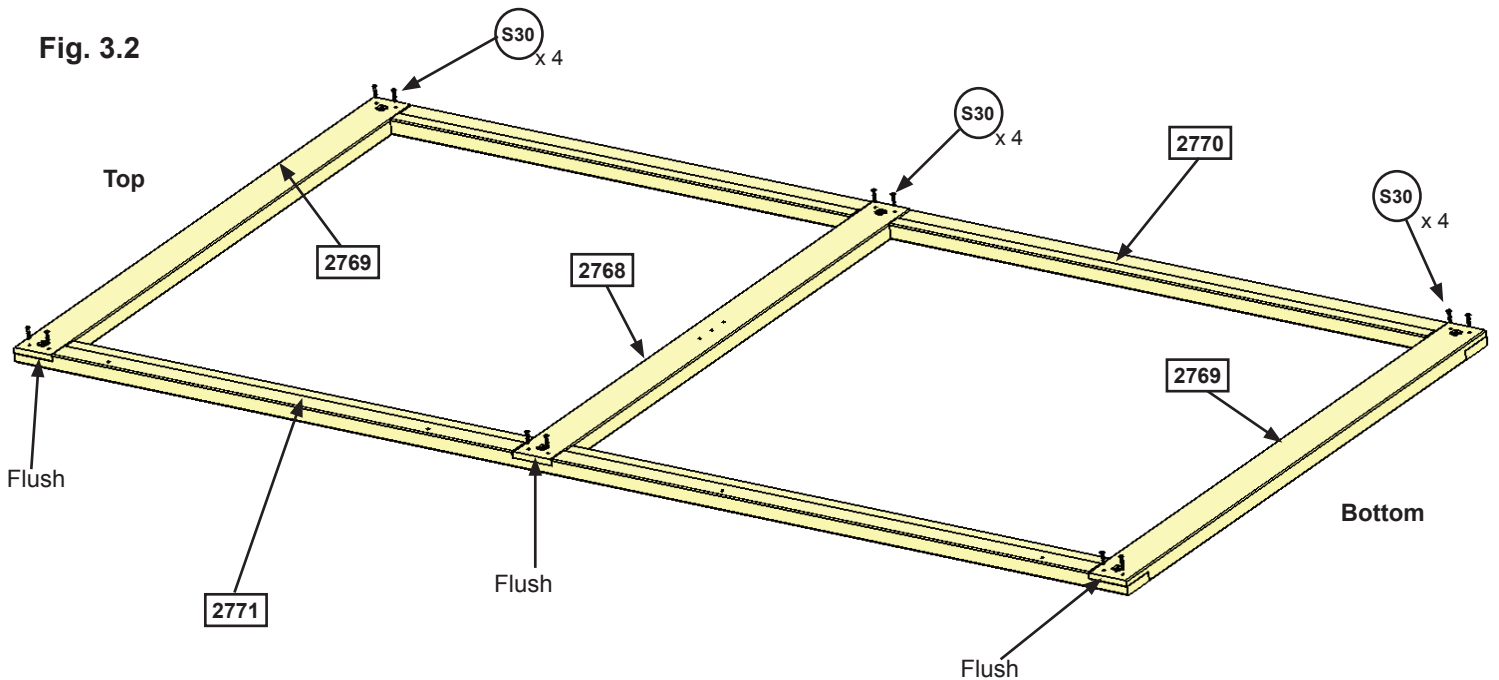
**B:** Place (2771) End Post and (2770) End Post Left side by side with the grooves facing up and in. (2770) End Post Left on the right hand side. Place (2769) Panel BT Frames in the top and bottom grooves and (2768) Panel Floor in the middle grooves. (fig. 3.2).

**C:** Make sure assembly is square then attach with 4 (S30) #8 x 1-1/16" Wood Screws per board. (fig. 3.2)

**Fig. 3.1**



**Fig. 3.2**



### Wood Parts

- 1 x Panel Floor 31.8 x 76.2 x 1066.8mm
- 2 x Panel BT Frame 31.8 x 76.2 x 1066.8mm
- 1 x End Post 31.8 x 63.5 x 2209.8 mm
- 1 x End Post Left 31.8 x 63.5 x 2209.8 mm

### Hardware

- 12 x #8 x 1-1/16" Wood Screw
- 6 x 1/4" T-nut

# Step 3: End Wall Prep Part 2



*It is important to assemble the frame on a flat, smooth surface.*

**D:** Turn the assembly over then attach all boards with 6 (H9) 1/4 x 1-1/4" Hex Bolts (with lock washer and flat washer) connecting to the previously installed t-nuts. (fig. 3.3 and 3.4)

Fig. 3.3

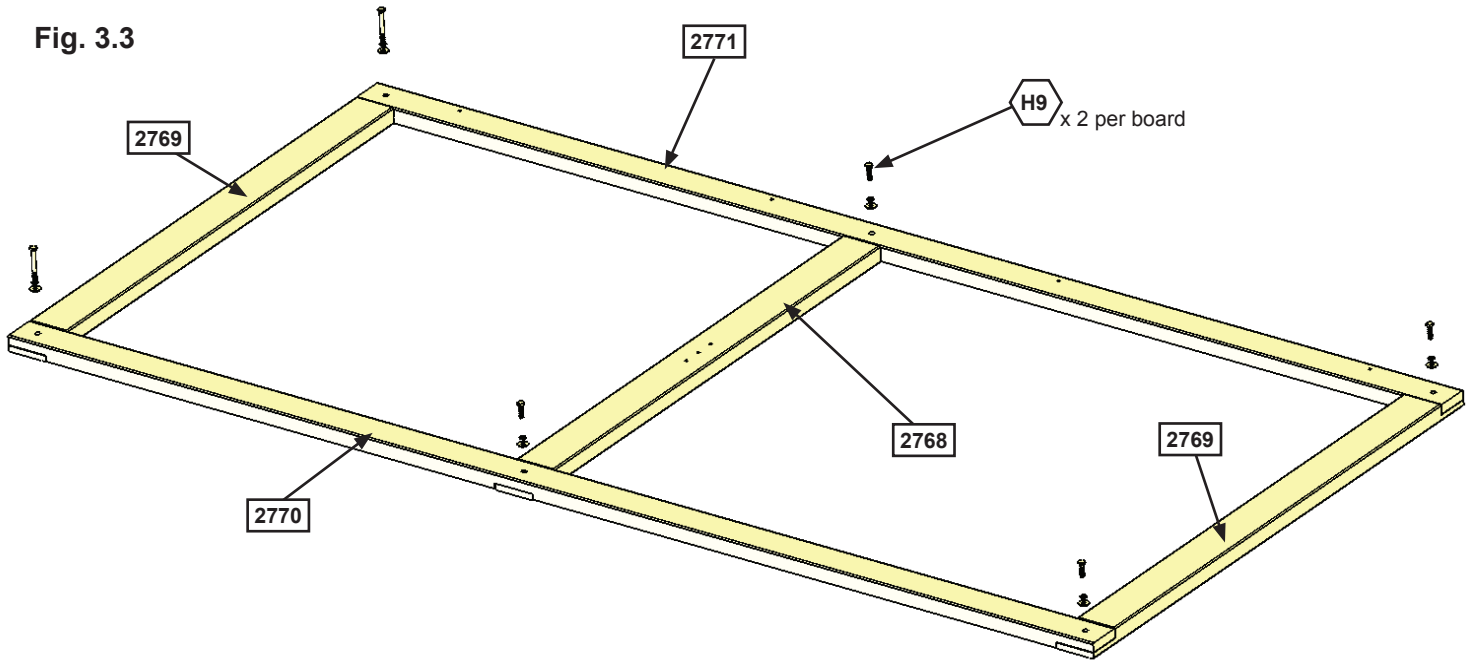
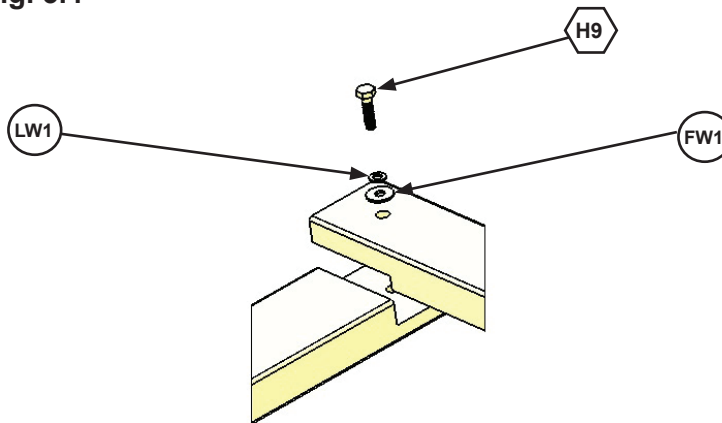



Fig. 3.4



### Hardware

6 x  1/4 x 1-1/4" Hex Bolt  
(lock washer & flat washer)

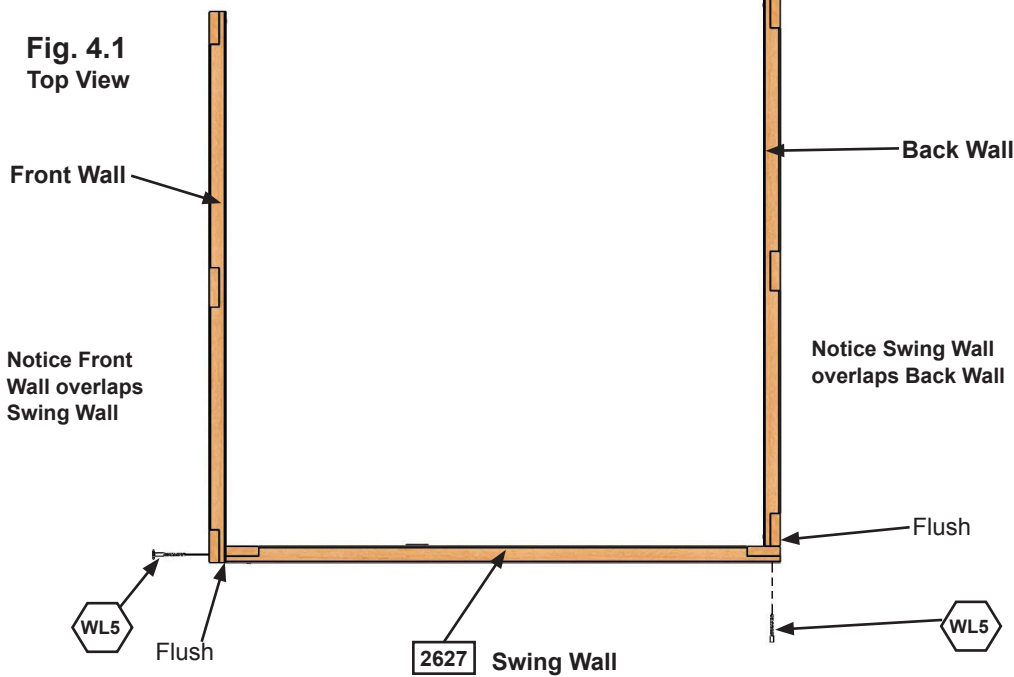
# Step 4: Frame Assembly Part 1



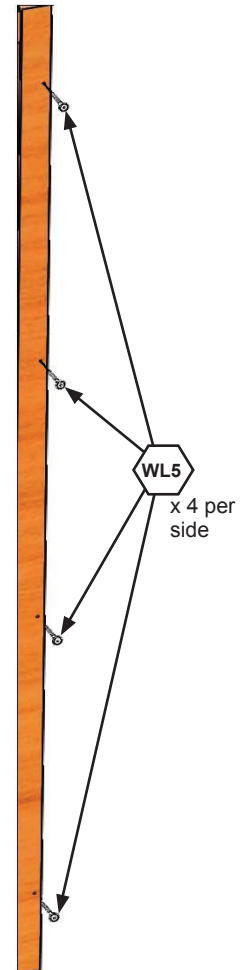
*It is important to assemble the frame on a flat, smooth surface.*

**A:** Place (2627) SW Wall Panel between 2 Front and Back Walls from Step 2, noticing the wall orientations. The tops and bottoms of the walls should be flush. Make sure the walls are square then using the pilot holes as a guide pre-drill with a 3/16" (4.8 mm) drill bit and fasten the Front Wall to the Swing Wall and Swing Wall to the Back Wall with 4 (WL5) 1/4 x 2-1/2" Wafer Lags per side. (fig. 4.1, 4.2 and 4.3)

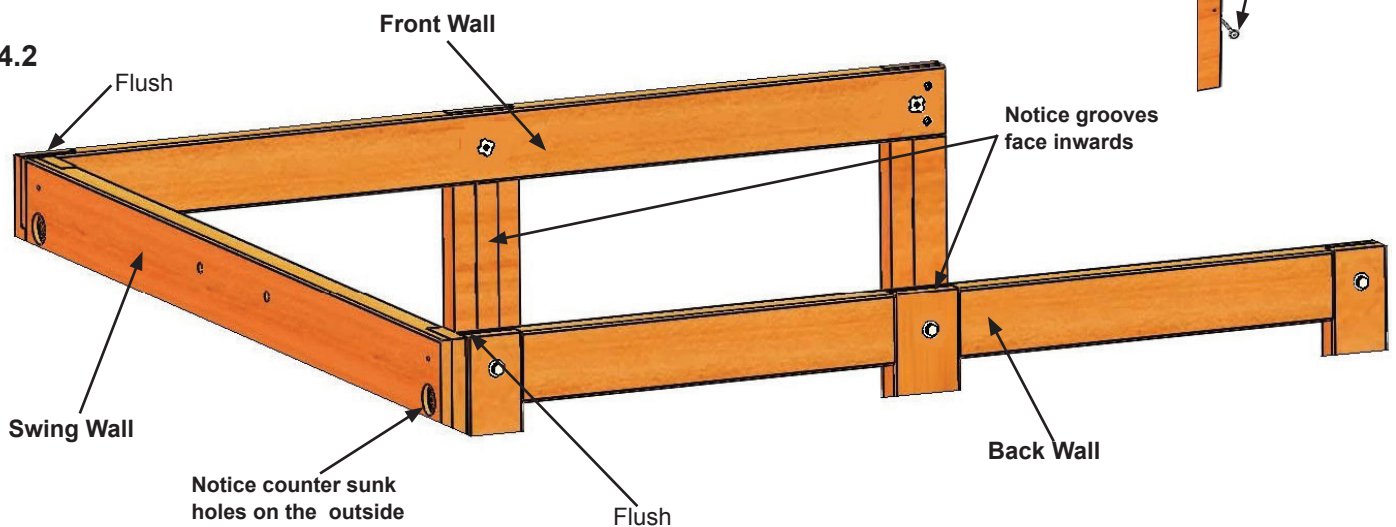
**Fig. 4.1**  
Top View



**Fig. 4.3**



**Fig. 4.2**



**Wood Parts**

1 x 2627 SW Wall Panel 31.8 x 1066.8 x 2209.8 mm

**Hardware**

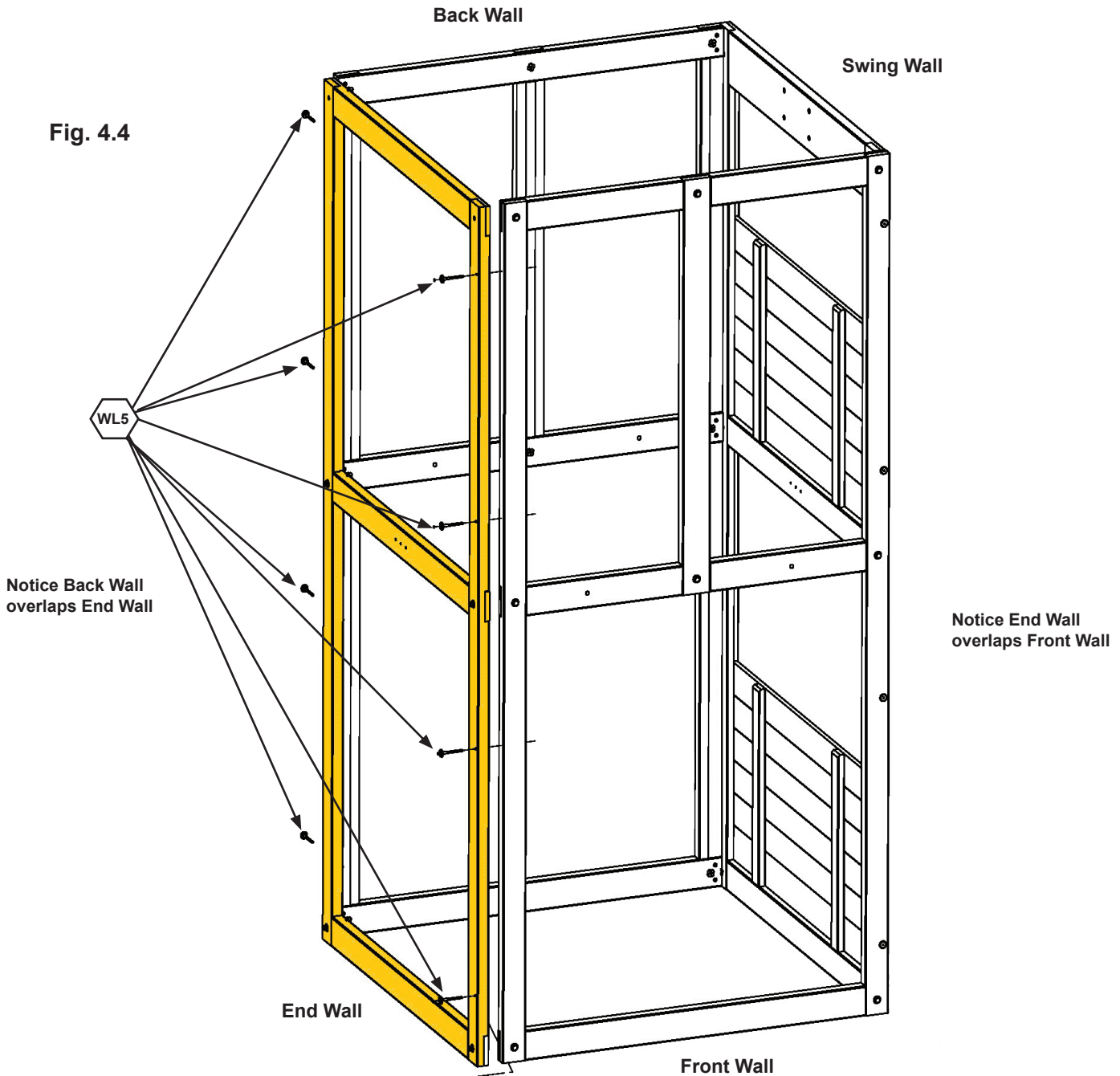
8 x WL5 1/4 x 2-1/2" Wafer Lag

# Step 4: Frame Assembly Part 2




**B:** Place End Wall from Step 3 between the Front Wall and Back Wall noticing the wall orientation. The tops and bottoms of the walls should be flush. Make sure the walls are square then using the pilot holes as a guide predrill with a 3/16" (4.8 mm) drill bit and fasten the Back Wall to the End Wall and End Wall to the Front Wall with 4 (WL5) 1/4 x 2-1/2" Wafer Lags per side. (fig. 4.4)

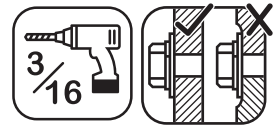
Fig. 4.4



### Hardware

8 x  1/4 x 2-1/2" Wafer Lag

# Step 4: Frame Assembly Part 3



**C:** Loosely attach 1 (2607) Diagonal to (2606) SW Ground with 1 (H10) 1/4 x 2-1/4" Hex Bolt (with lock washer, flat washer and t-nut). (fig.4.6)

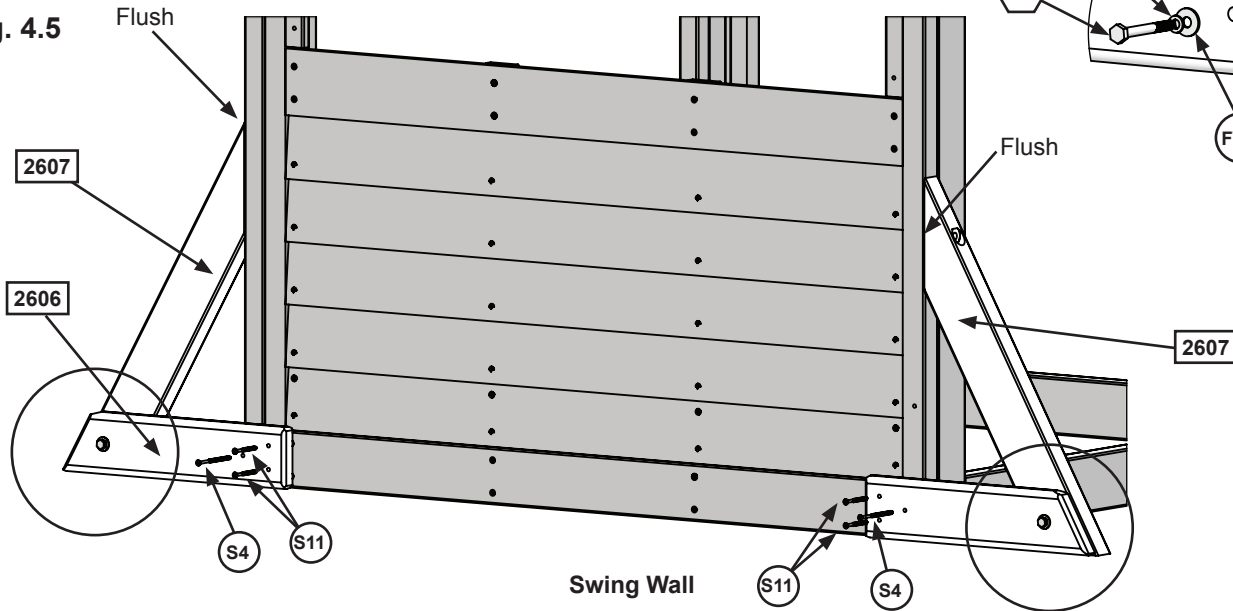
**D:** Place (2606) SW Ground against the front right side of the (2627) SW Wall Panel making sure that the (2607) Diagonal lines up with the edge of the panel as shown in fig. 4.5 and attach (2606) SW Ground to fort using 2 (S11) #8 x 2" Wood Screws and 1 (S4) #8 x 3" Wood Screw. (fig. 4.5)

**E:** Make sure that the (2607) Diagonal is tight to the edge of the (2627) SW Wall Panel then pre-drill pilot holes with a 3/16" (4.8 mm) drill bit. Attach (2607) Diagonal to the (2627) SW Wall Panel with 1 (LS3) 1/4 x 3" Lag Screw (with flat washer) checking that it remains flush to outside edge. (fig. 4.5 and 4.7)

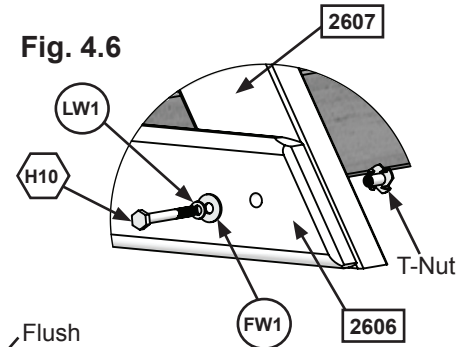
**F:** Tighten Hex Bolt installed in step C:.

**G:** Repeat steps C: through F: to install an opposite assembly on the left side.

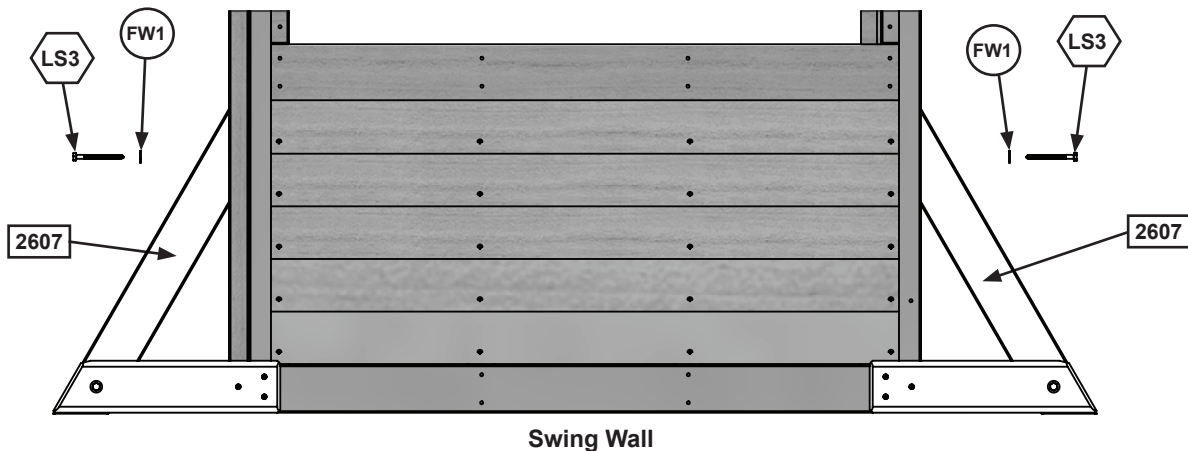
**Fig. 4.5**



**Fig. 4.6**



**Fig. 4.7**



## Wood Parts

- 2 x [2607] Diagonal 31.8 x 76.2 x 558.8mm
- 2 x [2606] SW Ground 23.8 x 82.6 x 362 mm

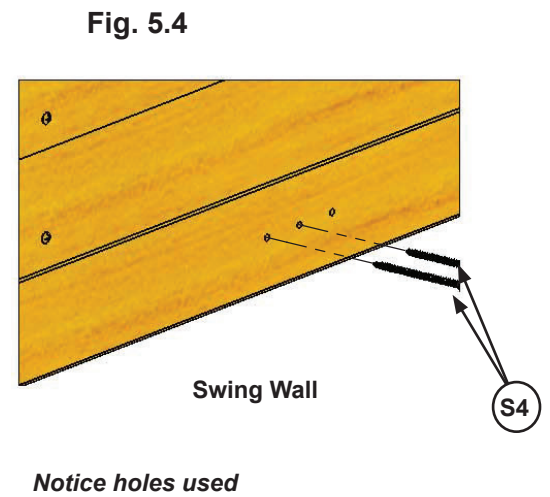
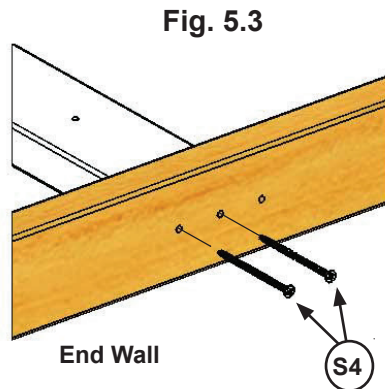
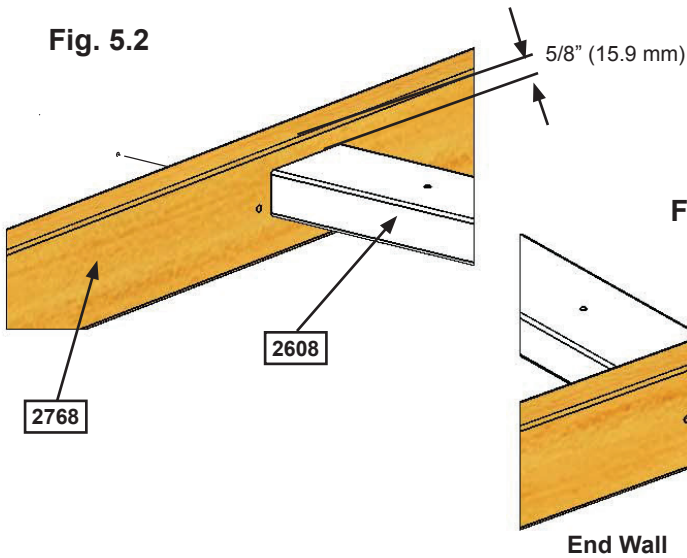
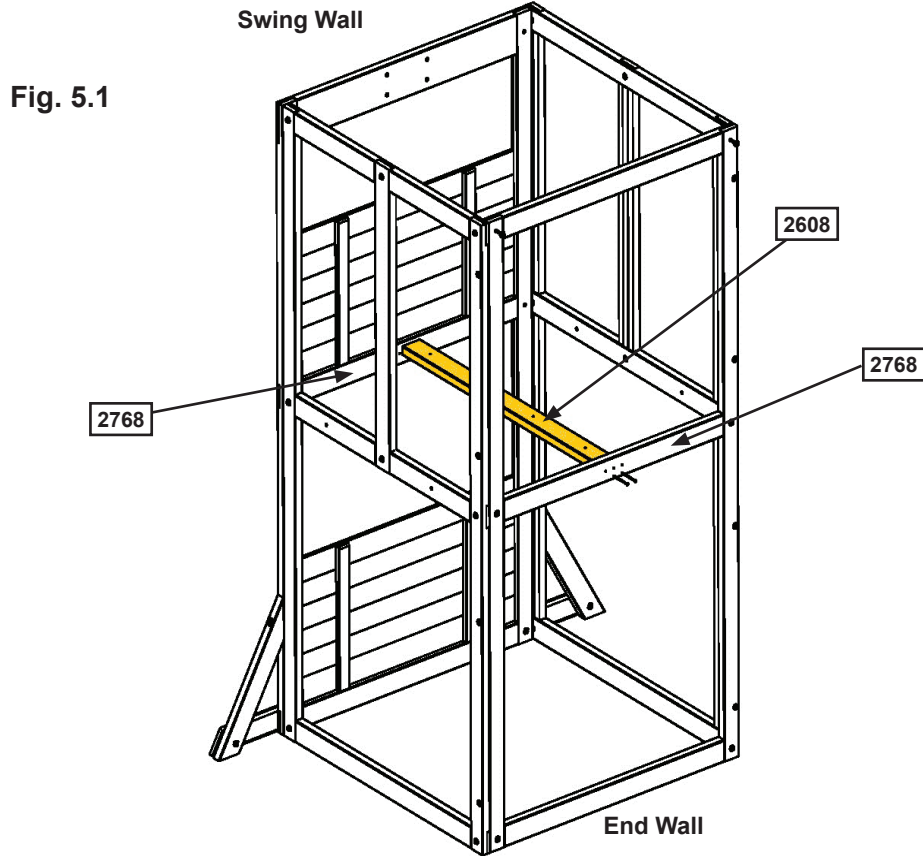
## Hardware

- 2 x [H10] 1/4 x 2-1/4" Hex Bolt (lock washer, flat washer, t-nut)
- 2 x [LS3] 1/4 x 3" Lag Screw (flat washer)
- 4 x [S11] #8 x 2" Wood Screw
- 2 x [S4] #8 x 3" Wood Screw

# Step 5: Floor Assembly Part 1



**A:** From inside of the assembly centre (2608) Floor Joist over the pilot holes in both (2768) Panel Floors in the Swing and End Walls, measure 5/8" (15.9 mm) down from the top of boards then attach (2608) Floor Joist to each board using the left and centre holes with 2 (S4) #8 x 3" Wood Screws per board. (fig. 5.1, 5.2, 5.3 and 5.4)



### Wood Parts

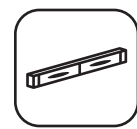
1 x 2608 Floor Joist 31.8 x 76.2 x 1035.1mm

### Hardware

4 x S4 #8 x 3" Wood Screw

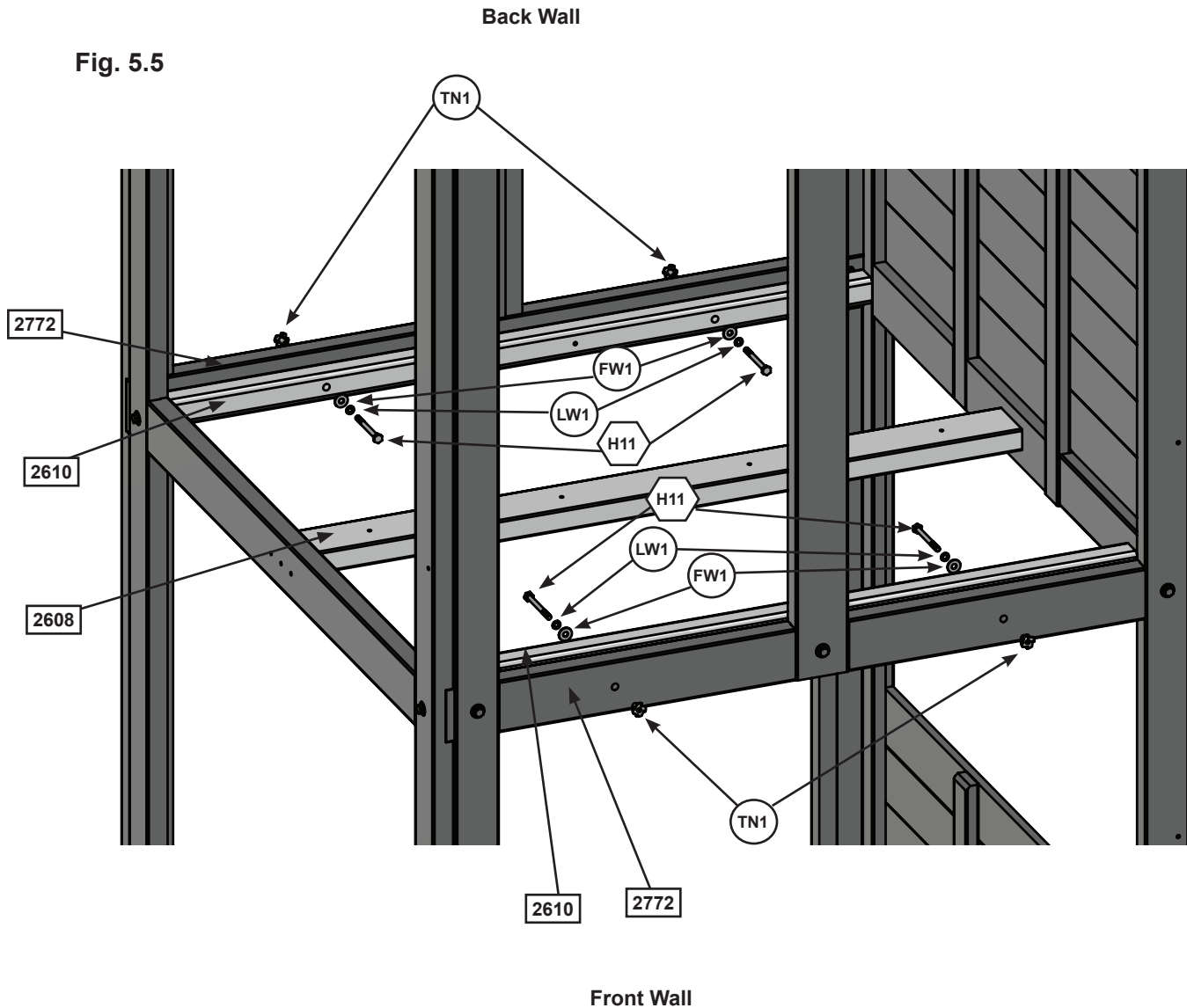


# Step 5: Floor Assembly Part 2



**B:** On the inside of both the Front and Back Walls loosely attach 1 (2610) Side Joist to each (2772) Panel Floor Support with 2 (H11) 1/4 x 2-3/4" Hex Bolts (with lock washer, flat washer and t-nut) as shown in fig. 5.5. Make sure both (2610) Side Joist are level with (2608) Floor Joist.

Fig. 5.5



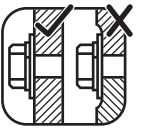
### Wood Parts

2 x Side Joist 38.1 x 38.1 x 1022.4mm

### Hardware

4 x 1/4 x 2-3/4" Hex Bolt  
(lock washer, flat washer, t-nut)

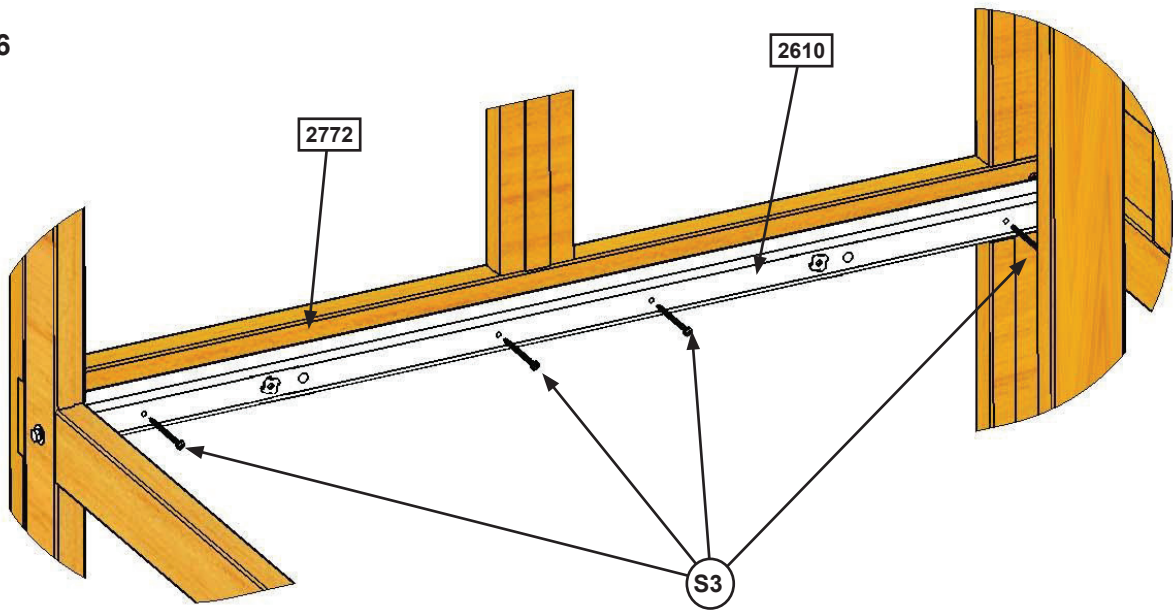
# Step 5: Floor Assembly Part 3




**C:** Fasten each (2610) Side Joist to each (2772) Panel Floor Support with 4 (S3) #8 x 2-1/2" Wood Screws per board as shown in fig. 5.6.

**D:** Tighten all (H11) 1/4 x 2-3/4" Hex Bolts in both (2610) Side Joist.

Fig. 5.6



## Hardware

8 x  #8 x 2-1/2" Wood Screw

# Step 5: Floor Assembly Part 4

E: Starting at (2627) SW Wall Panel place (2648) Floor Board followed by 8 (2609) Floor Boards. Make sure all boards are evenly spaced then attach to (2608) Floor Joist and each (2610) Side Joist with 5 (S2) #8 x 1-1/2" Wood Screws per board. (fig. 5.7 and 5.8)

Fig. 5.7

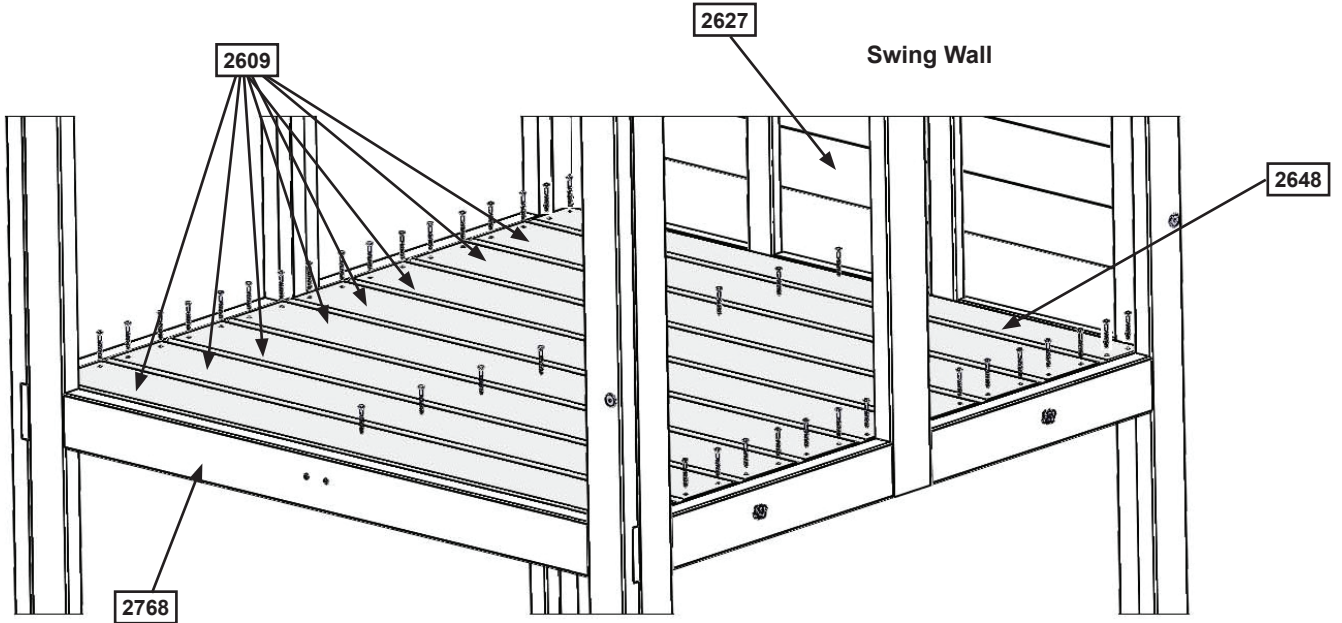
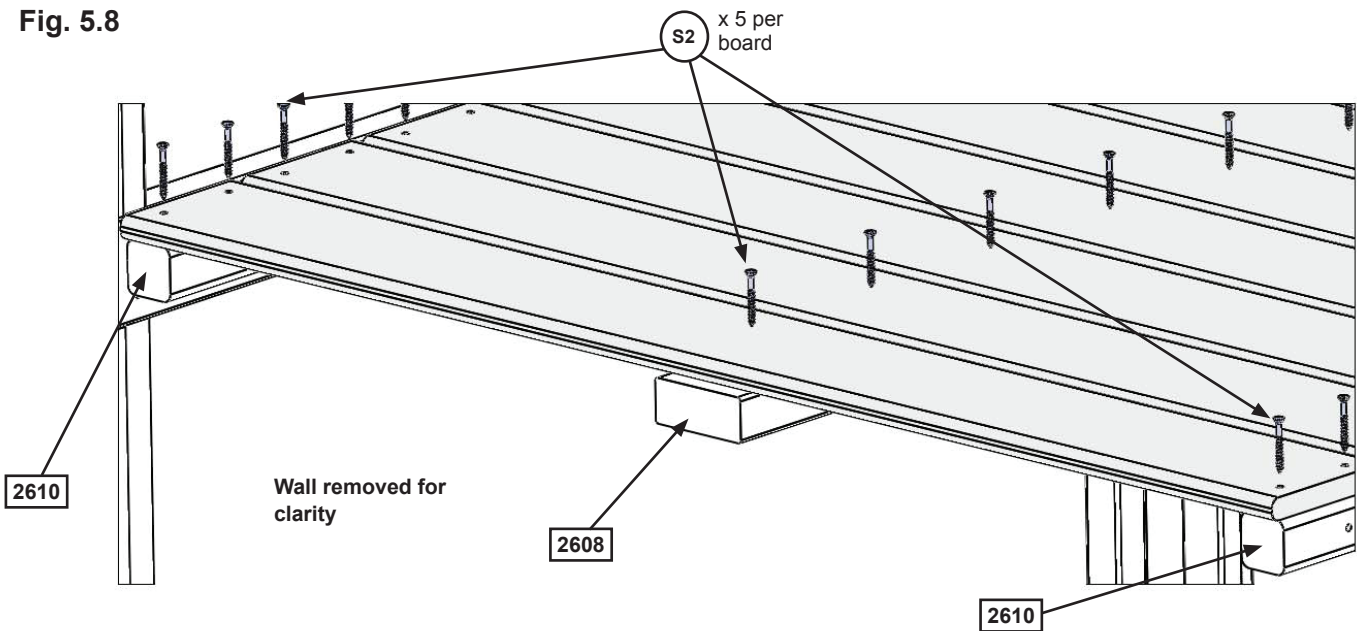


Fig. 5.8



### Wood Parts

- 1 x 2648 Floor Board 15.9 x 85.7 x 1031.9 mm
- 8 x 2609 Floor Board 15.9 x 114.3 x 1031.9mm

### Hardware

- 45 x S2 #8 x 1-1/2" Wood Screw

# Step 6: Swing Beam Assembly



**A:** Attach 6 Swing Hangers to the (2614) Engineered Beam using 2 (G7) Hex Bolts (with 2 flat washers and 1 lock nut) per Swing Hanger as shown in fig. 6.1.

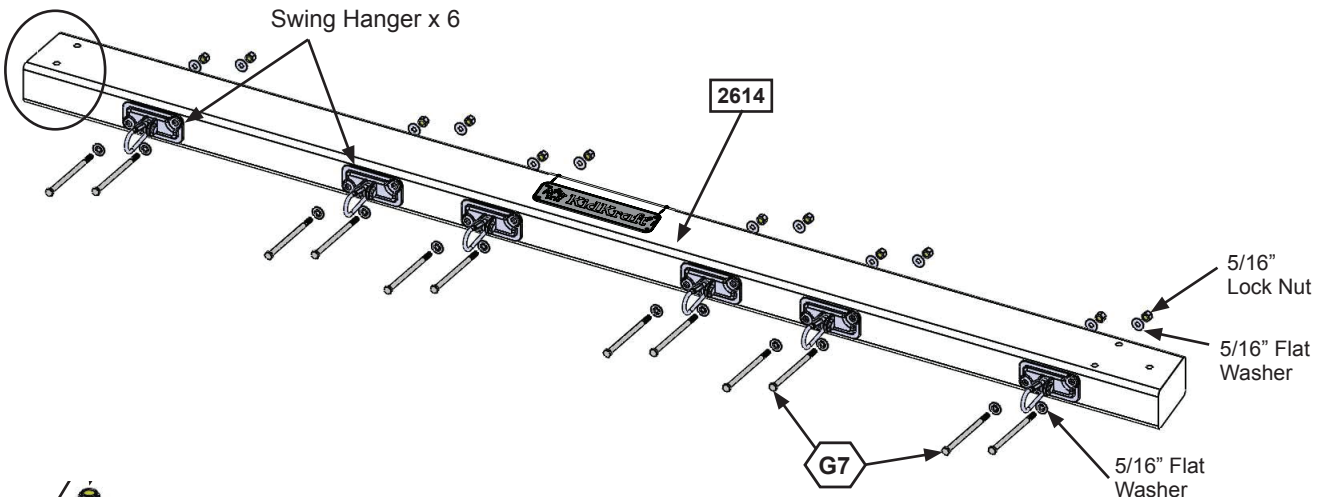
**B:** Flush to the Fort End of (2614) Engineered Beam attach 2 L-Beam Brackets with 2 (G21) Hex Bolts (with 2 flat washers and 1 lock nut). (fig. 6.2)

**C:** Install 1 (WB7) Wafer Bolt (with flat washer and t-nut) in the middle bolt hole in (2614) Engineered Beam as shown in fig. 6.3. **IT IS IMPORTANT THAT THIS BOLT IS ATTACHED. IT WILL MINIMIZE CHECKING OF WOOD.**

**D:** Attach KidKraft Plaque to centre of (2614) Engineered Beam (over top of t-nut) using 4 (S18) #6 x 1" Wood Screws. (fig. 6.4)

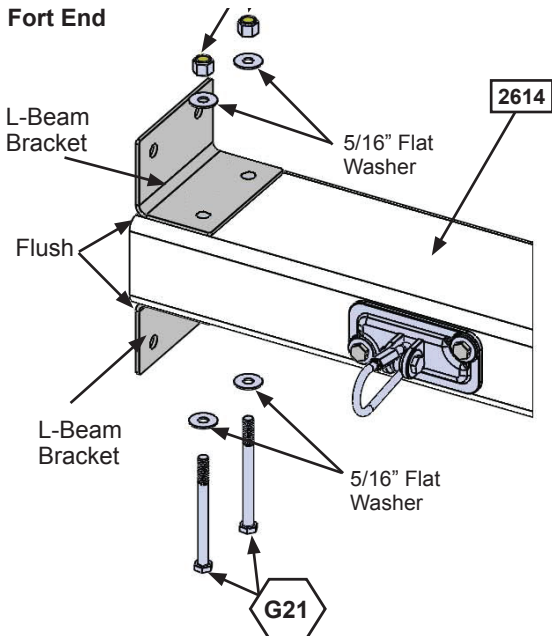
**Fig. 6.1**

Fort End

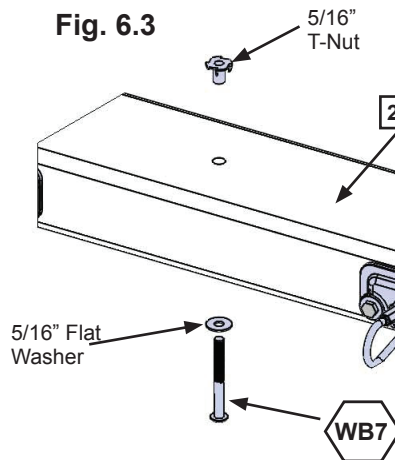


**Fig. 6.2**

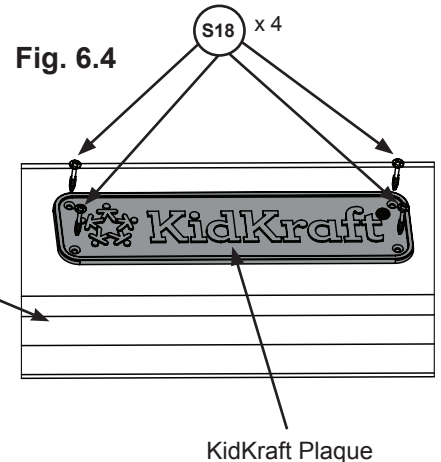
Fort End



**Fig. 6.3**



**Fig. 6.4**



**Wood Parts**

1 x 2614 Engineered Beam 76.2 x 133.4 x 2235.2mm

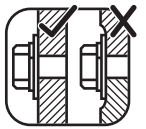
**Hardware**

- 12 x G7 Hex Bolt (5/16" flat washer x 2, 5/16" lock nut)
- 2 x G21 Hex Bolt (5/16" flat washer x 2, 5/16" lock nut)
- 1 x WB7 Wafer Bolt (5/16" flat washer & 5/16" t-nut)
- 4 x S18 #6 x 1" Wood Screw

**Other Parts**

- 6 x Swing Hangers
- 2 x L-Beam Bracket
- 1 x KidKraft Plaque

# Step 7: Swing End Assembly

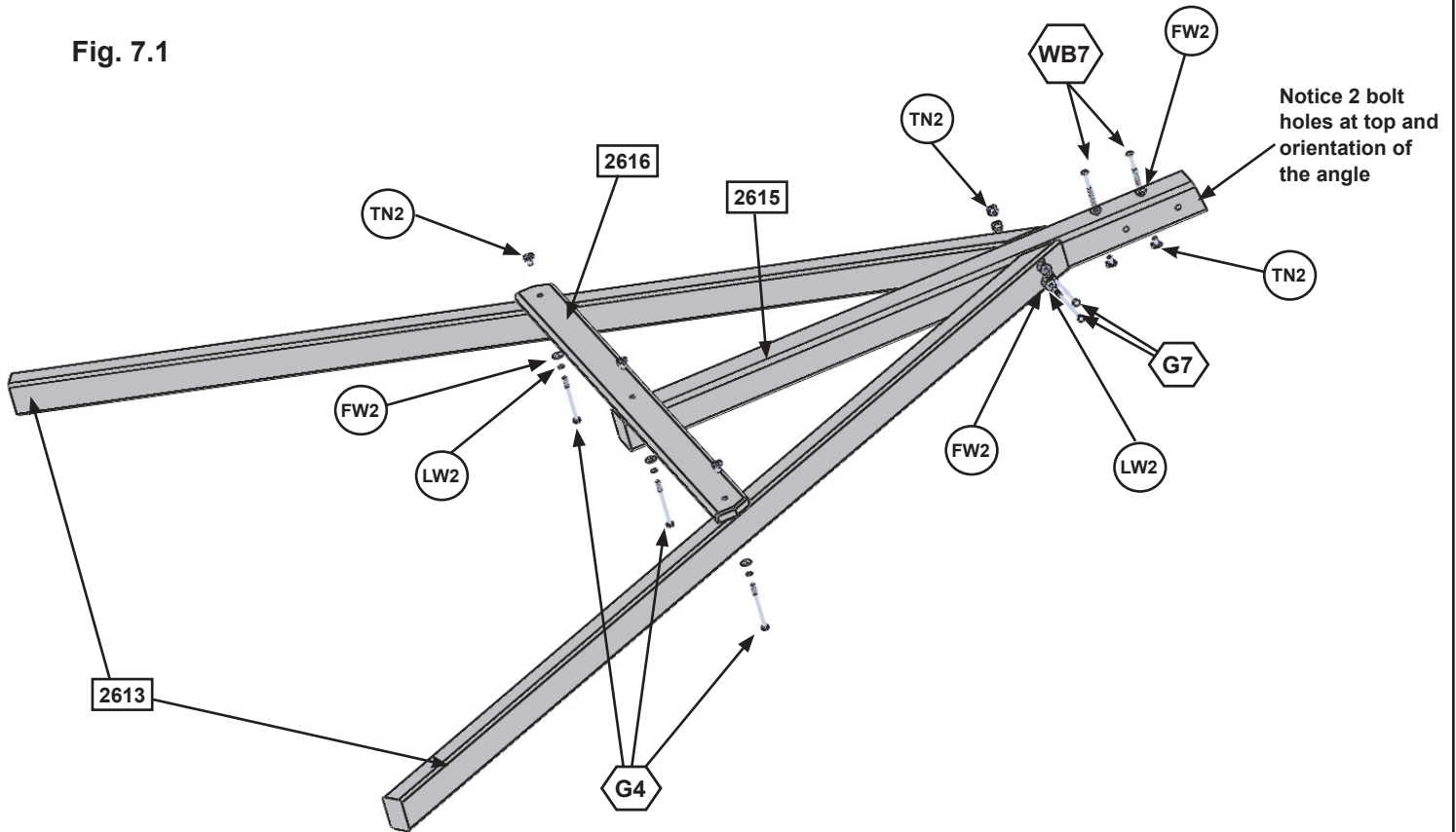


**A:** Loosely attach 2 (2613) Heavy SW Posts to (2615) SW Upright using 2 (G7) 5/16 x 5-1/2" Hex Bolts (with lock washer, flat washer and t-nut). Notice 2 bolt holes at top of (2615) SW Upright and orientation of angle. (fig. 7.1)

**B:** Attach (2616) SW Support to both (2613) Heavy SW Posts and (2615) SW Upright using 3 (G4) 5/16 x 4" Hex Bolts (with lock washer, flat washer and t-nut). Tighten all bolts. (fig. 7.1)

**C:** Install 2 (WB7) 5/16 x 3" Wafer Bolts (with flat washer and t-nut) in the top bolt holes in (2615) SW Upright as shown in fig. 6.1. **IT IS IMPORTANT THAT THESE BOLTS ARE ATTACHED. THEY WILL MINIMIZE CHECKING OF WOOD.**

Fig. 7.1



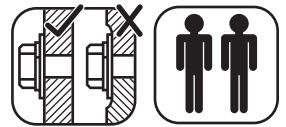
### Wood Parts

- 2 x 2613 Heavy SW Post 50.8 x 76.2 x 2201.9mm
- 1 x 2615 SW Upright 76.2 x 76.2 x 1294.3mm
- 1 x 2616 SW Support 23.8 x 82.6 x 1181.1mm

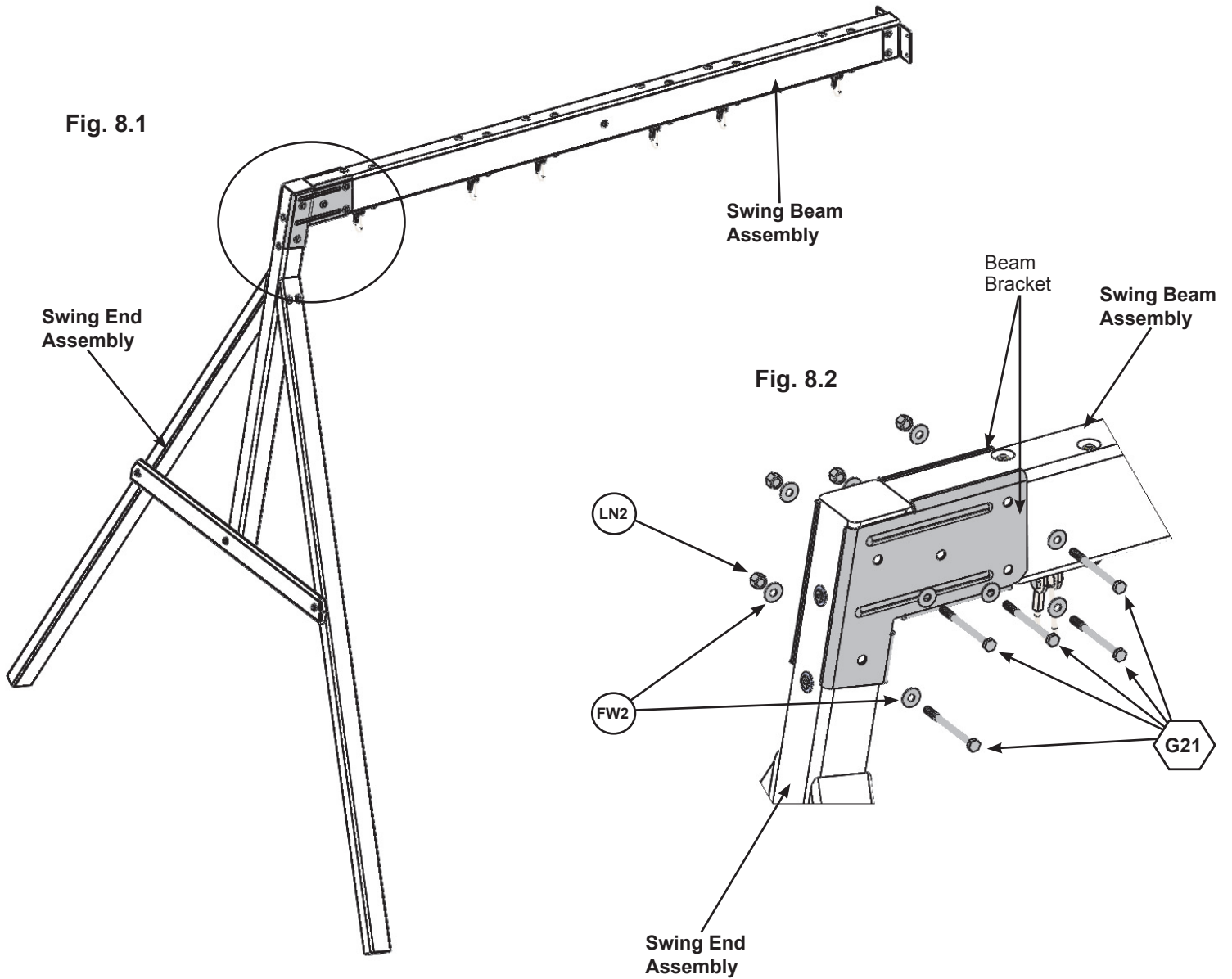
### Hardware

- 2 x G7 Hex Bolt (lock washer, flat washer, t-nut)
- 3 x G4 Hex Bolt (lock washer, flat washer, t-nut)
- 2 x WB7 Wafer Bolt (flat washer & t-nut)

# Step 8: Attach Swing End to Swing Beam



**A:** Place Swing End Assembly against Swing Beam Assembly then place 1 Beam Bracket on each side of the assembly (they are specific for left and right side) and attach with 5 (G21) 5/16 x 3-3/4" Hex Bolts (with 2 flat washers and 1 lock nut). (fig. 8.1 and 8.2)



### Hardware

5 x  Hex Bolt  
(flat washer x 2, lock nut)

### Other Parts

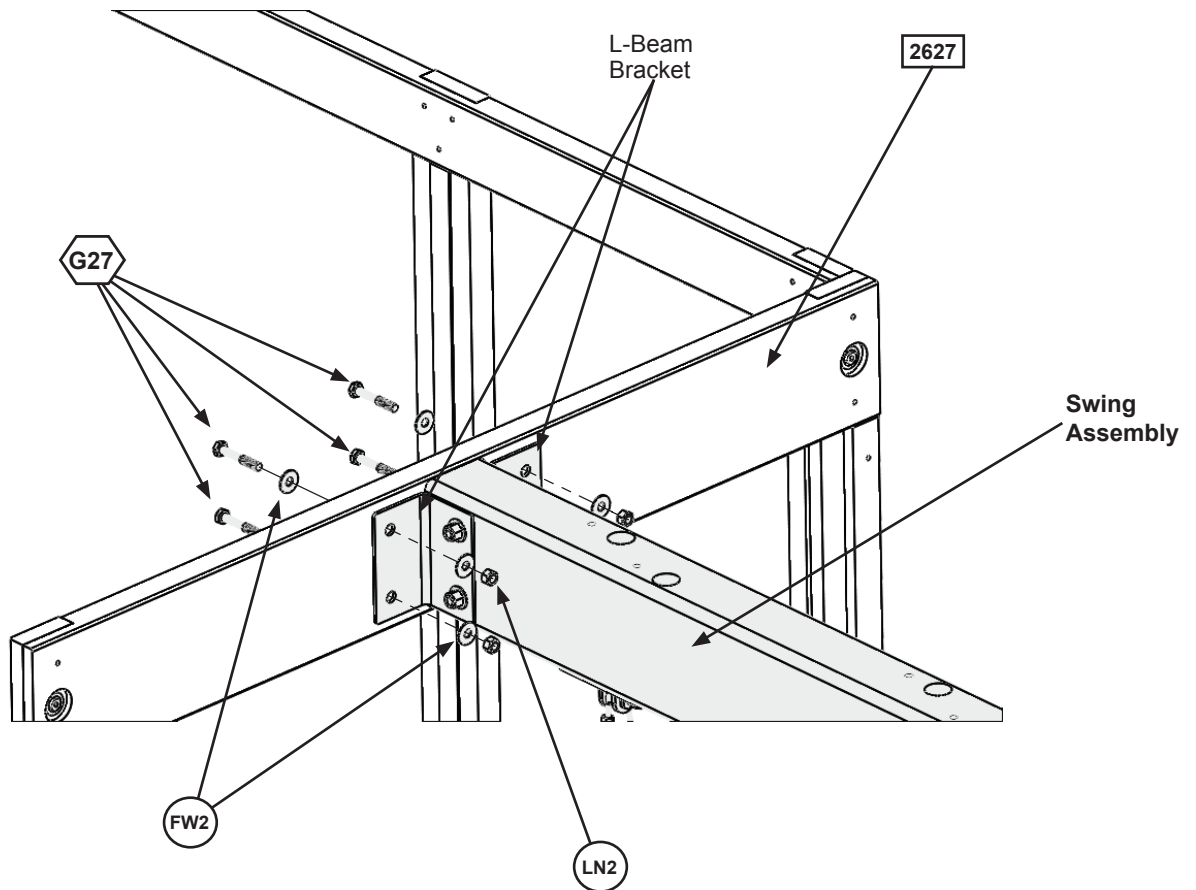
2 x Beam Bracket (Left/Right)

## Step 9: Attach Swing Assembly To Fort




**A:** Place Swing Assembly against top of (2627) SW Wall Panel, make sure assembly is level then attach from inside the fort assembly into each L-Beam Bracket with 4 (G27) 5/16 x 1 3/4" Hex Bolts (with 2 flat washers and 1 lock nut). (fig. 9.1)

Fig. 9.1



### Hardware

4 x  5/16 x 1-3/4" Hex Bolt  
(flat washer x 2, lock nut)

# Step 10: Install Ground Stakes

## MOVE FORT TO FINAL LOCATION PRIOR TO STAKING FINAL LOCATION MUST BE LEVEL GROUND

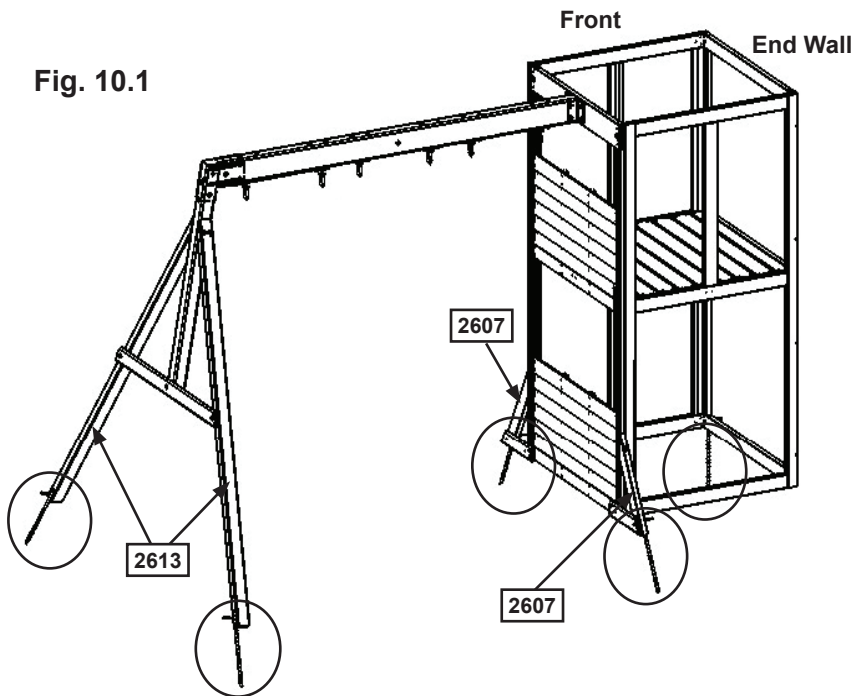
**A:** In the 5 places shown in (fig.10.1) drive the Rebar Ground Stakes 13" (330mm) into the ground against outside front corner of End Wall Assembly, on both (2607) Diagonals and both (2613) Heavy SW Posts. Be careful not to hit the washer while hammering stakes into the ground as this could cause the washer to break off.

**B:** Attach ground stakes using 1 (S7) #12 x 2" Pan Screw per ground stake (fig. 10.2 and 10.3).

**C:** After driving stakes into the ground, check for sharp edges caused by the impact of the hammer. Smooth any sharp edges from impact area and touch up with outdoor paint.

**⚠ Warning!** To prevent tipping and avoid potential injury, stakes must be driven 13" (330 mm) into ground. Digging or driving stakes can be dangerous if you do not check first for under-ground wiring, cables or gas lines.

Fig. 10.1



SEE FRONT COVER  
FOR SAFETY CLEARANCE

Fig. 10.2

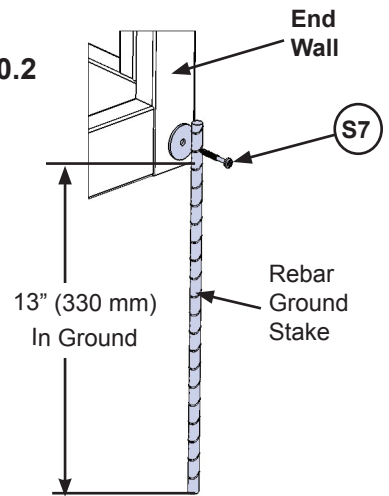
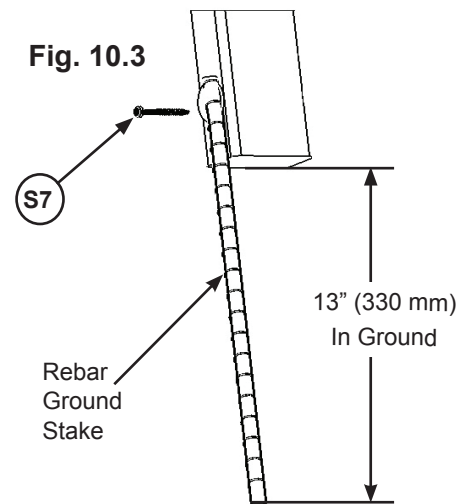


Fig. 10.3



### Hardware

5 x (S7) Pan Screw

### Other Parts

5 x Rebar Ground Stake



# Step 11: Install Upper and Lower Jambs



**A:** In the upper opening of End Wall Assembly place 1 (2602) Upper Jamb so it measures 17" (432mm) to the inside of each post then attach with 2 Jamb Mounts using 4 (S0) #8 x 7/8" Truss Screws per mount. (fig. 11.1 & 11.2 & 11.3)

**B:** In the lower opening of the Front Panel place 1 (2601) Lower Jamb so it measures 17" (432mm) to the inside of each post then attach (2601) Lower Jamb with 2 Jamb Mounts using 4 (S0) #8 x 7/8" Truss Screws per mount. (fig. 11.1, 11.2 and 11.3)

Fig. 11.1

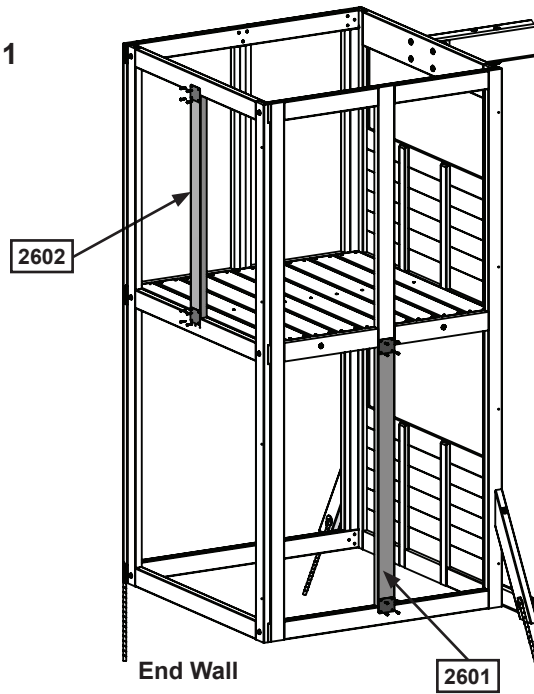


Fig. 11.2

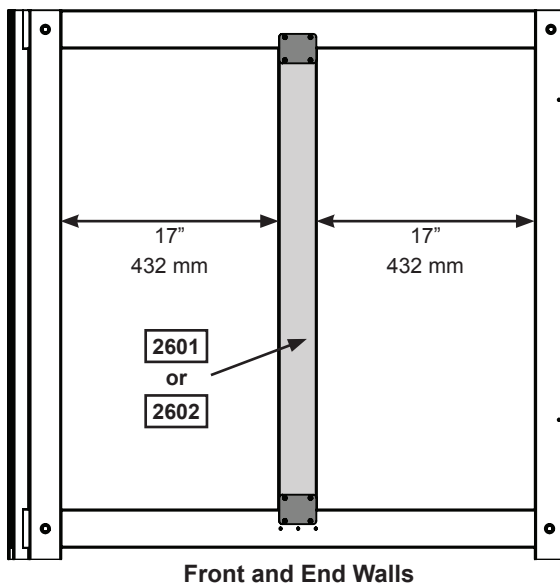
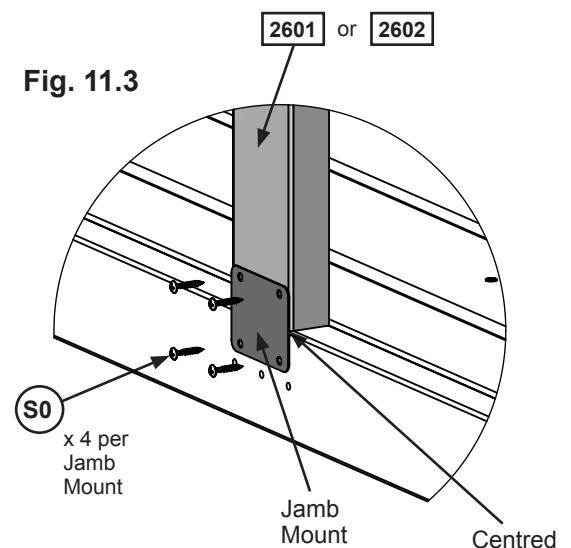


Fig. 11.3



### Wood Parts

- 1 x 2601 Lower Jamb 31.8 x 76.2 x 1065.2 mm
- 1 x 2602 Upper Jamb 31.8 x 76.2 x 912.8 mm

### Hardware

- 16 x S0 #8 x 7/8" Truss Screw

### Other Parts

- 4 x Jamb Mount

# Step 12: Install Tower Gussets



**A:** On the Back Wall, place 2 (2850) Tower Gussets so they are flat against the (2772) Panel Floor Support and to the insides of the (2771) End Post and (2770) End Post Left. Attach using 1 (S11) #8 x 2" Wood Screw Wood and 1 (S4) #8 x 3" Wood Screw in the upper holes and 1 (LS3) 1/4 x 3" Lag Screw (with flat washer) in the lower holes per Tower Gusset. (fig. 12.1 and 12.2) .

**B:** On the End Wall, place 2 (2850) Tower Gussets so they are flat against the (2768) Panel Floor and to the insides of the (2771) End Post and (2770) End Post Left. Attach using 1 (S11) #8 x 2" Wood Screw Wood and 1 (S4) #8 x 3" Wood Screw in the upper holes and 1 (LS3) 1/4 x 3" Lag Screw (with flat washer) in the lower holes per Tower Gusset. (fig. 12.1 and 12.2)

**Note:** Pre-drill with a 1/8"(3.2mm) drill bit before installing Lag Screw.

Fig. 12.1

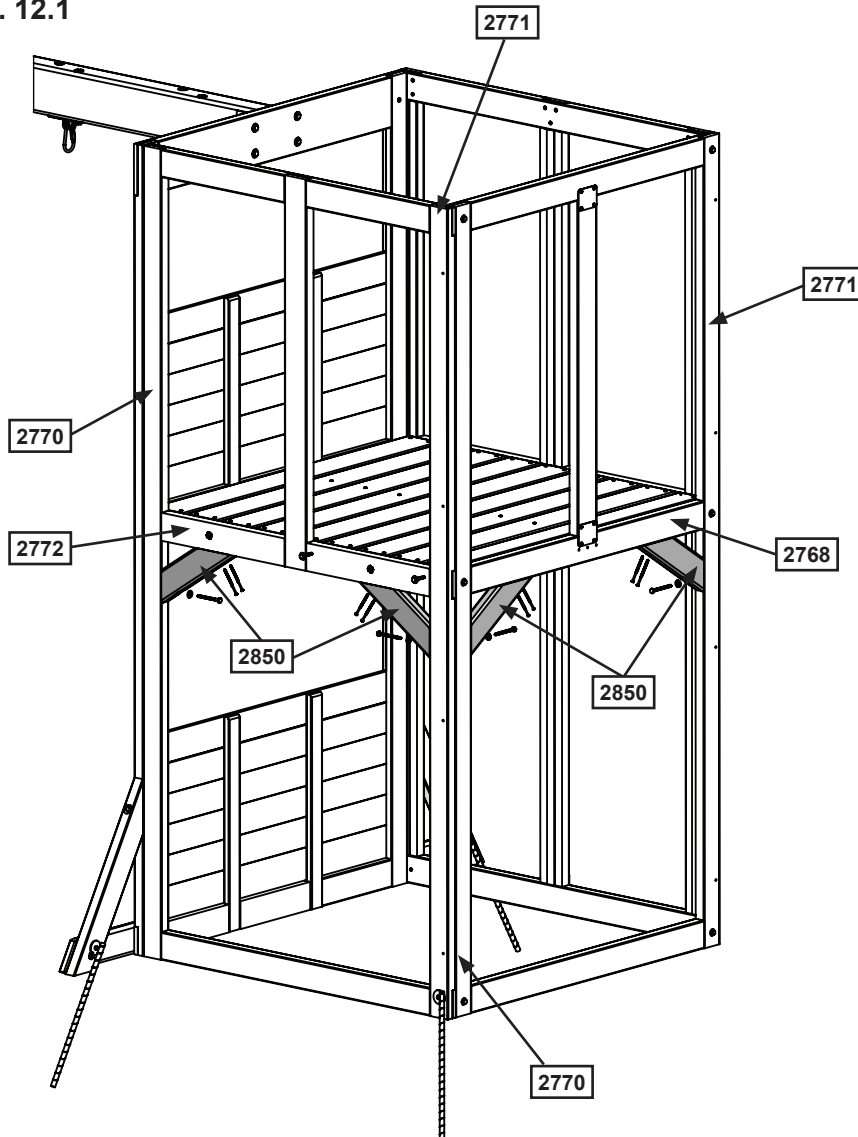
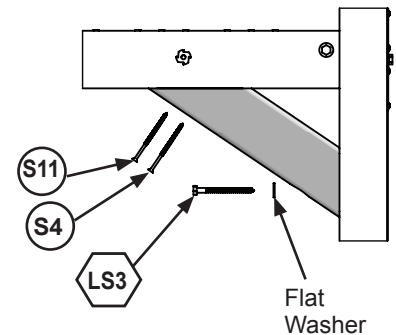


Fig. 12.2  
Side View



**Wood Parts**

4 x **2850** Tower Gussets 31.8 x 76.2 x 304.8mm

**Hardware**

- 4 x **S4** #8 x 3" Wood Screw
- 4 x **S11** #8 x 2" Wood Screw
- 4 x **LS3** 1/4 x 3" Lag Screw (with flat washer)

# Step 13: Access Ladder Assembly Part 1



## ATTENTION: IMPORTANT INFORMATION ABOUT YOUR ASSEMBLY

All holes for the dowel assemblies **MUST** be pre-drilled using a 1/8" drill bit. Failure to pre-drill can result in splitting and/or cracking of the wood pieces.

A 1/8" drill bit has been included here, please refer to images below for instruction on how to correctly pre-drill and install the dowels.

**A:** Insert 3 (1578) Dowels into (2846) Ladder Rail Right and (2845) Ladder Rail Left, as shown in fig. 13.1. Making sure that the holes in both rails are at the top, facing outwards.

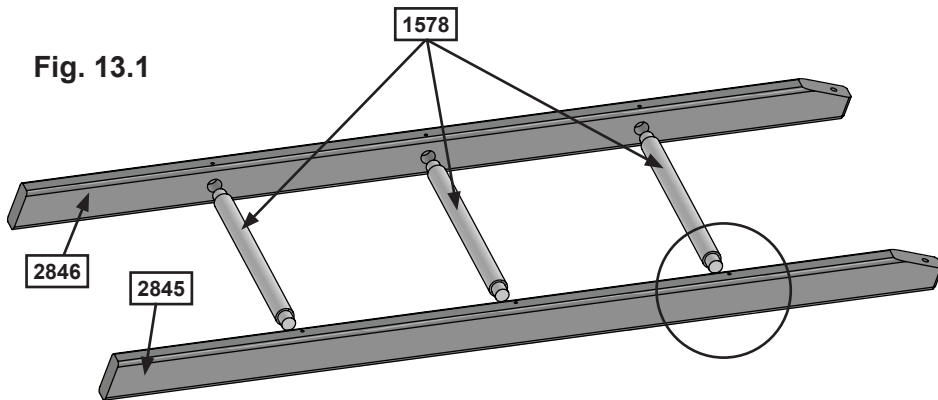


Fig. 13.1

Pre-drill 1/8" (3.2mm) pilot holes through Dowels to prevent splitting.  
Then fasten the screws to secure the Dowels.  
Check that screw has properly secured the dowel.

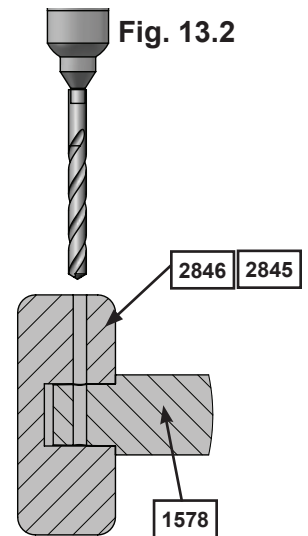


Fig. 13.2

Warning Make sure shoulder is against Post before drilling pilot holes.

**B:** Make sure shoulder of dowel is against each rail before pre-drilling pilot holes. Drill 1/8"(3.2mm) pilot holes through the rails and into the dowels to prevent splitting. (fig. 13.2)

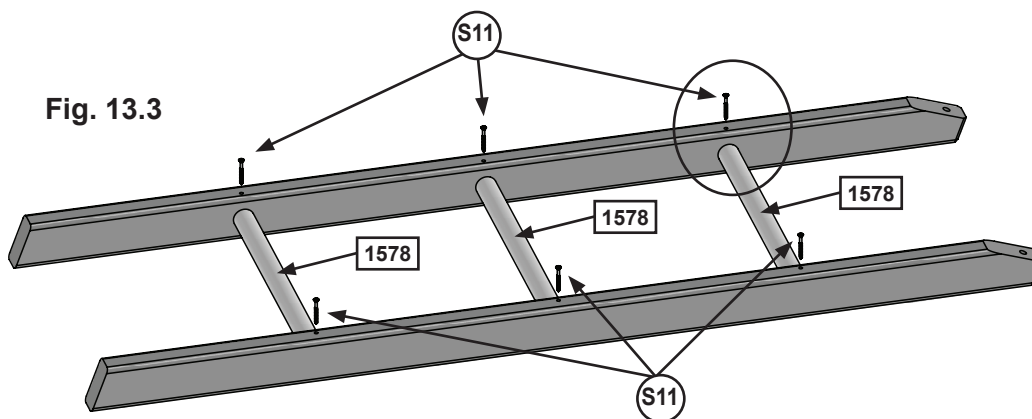


Fig. 13.3

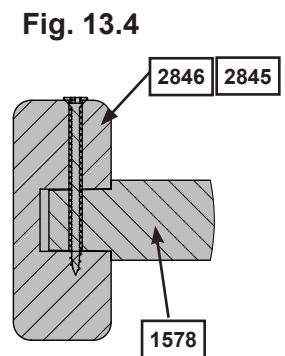


Fig. 13.4

**C:** Attach (1578) Dowels to both rails with 2 (S11) #8 x 2" Wood Screws per dowel. (fig. 13.3 and 13.4)

### Wood Parts

- 3 x Dowel 28.6 x 403.2mm
- 1 x Ladder Rail Left 34.9 x 63.5 x 1310.5mm
- 1 x Ladder Rail Right 34.9 x 63.5 x 1310.5mm

### Hardware

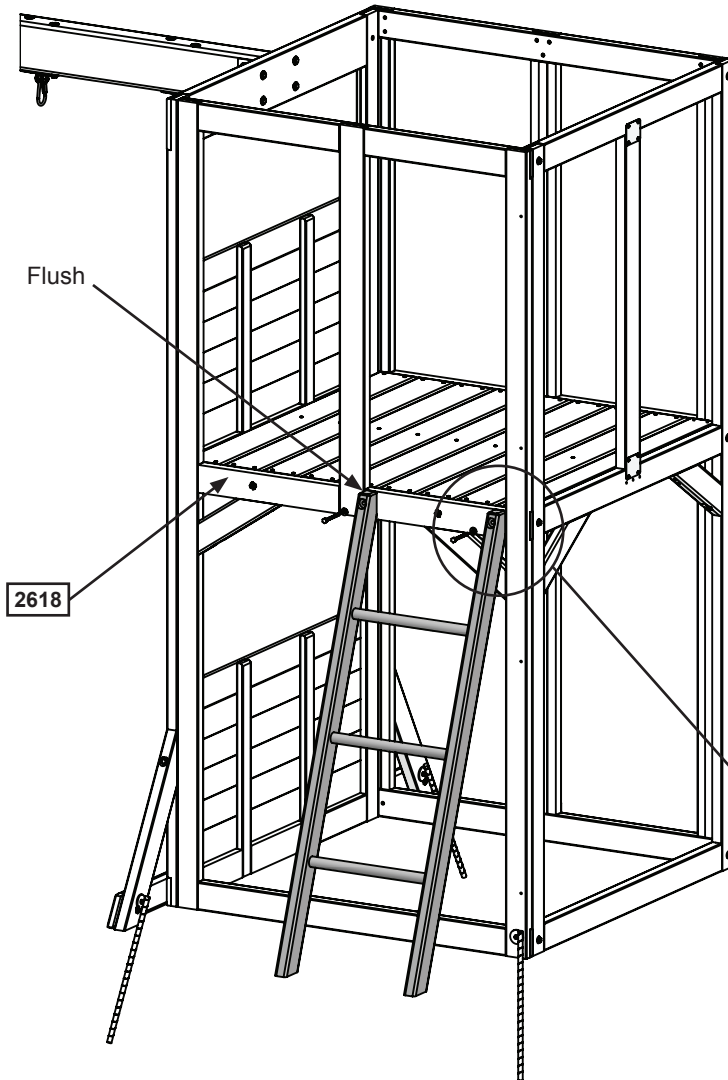
- 6 x #8 x 2" Wood Screw

# Step 13: Access Ladder Assembly Part 2

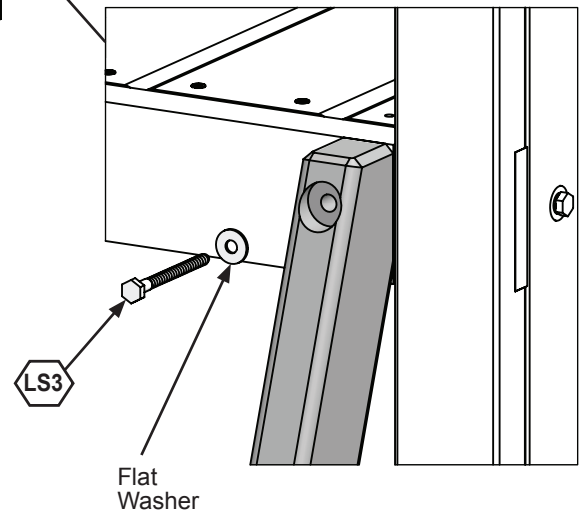


**D:** On the Back Wall of the assembly and to the right, place Ladder Assembly against (2618) as shown in fig. 13.5 making sure that it is flush. Pre-drill holes with a 1/8"(3.2mm) drill bit then attach using 2 (LS3) 1/4 x 3" Lag Bolt (with flat washer). (fig. 13.6)


**Fig. 13.5**



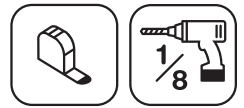
**Fig. 13.6**



### **Hardware**

2 x  1/4 x 3" Lag Bolt (with flat washer)

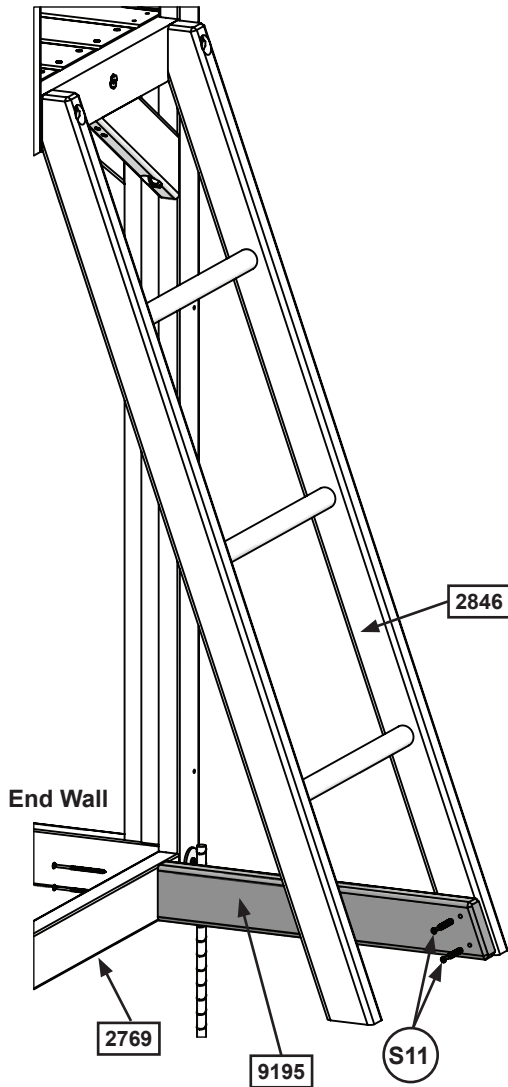
# Step 13: Access Ladder Assembly Part 3



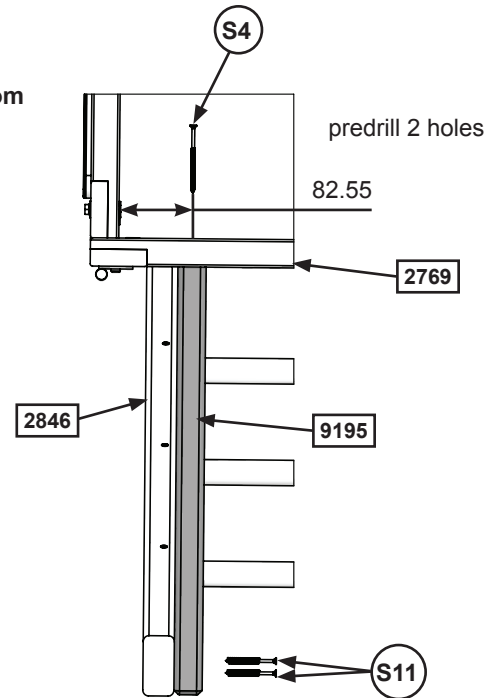
**E:** On the inside bottom of (2846) Ladder Rail Right attach 1 (9195) Ladder Brace using 2 (S11) #8 x 2" Wood Screws keeping it flush to (2769) Panel BT Frame. (fig. 13.7 and 13.8)

**F:** From inside the Fort measure approximately 3" (82.5mm) from the bottom of the End Wall. Pre-drill 2 holes using a 1/8" (3.2mm) drill bit. Install 2 (S4) #8 x 3" Wood Screws through the (2769) Panel BT Frame and into the (9195) Ladder Brace as shown in (fig. 13.8).

**Fig. 13.7**



**Fig. 13.8**  
View From Bottom



**Wood Parts**

1 x [9195] Ladder Brace 31.8 x 76.2 x 482.6mm

**Hardware**

2 x (S11) #8 x 2" Wood Screw

2 x (S4) #8 x 3" Wood Screw

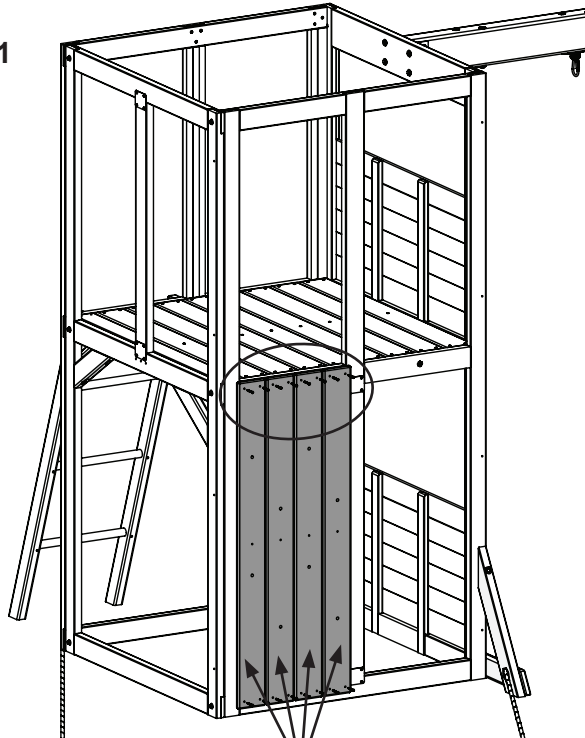
# Step 14: Vertical Wall Assembly Part 1



**A:** On the lower left hand side of the Front Wall place 4 (2851) Vertical Rock Boards tight together making sure that they are centered in the opening and flush to the top. **It is important to note hole orientation, every other board needs to be flipped.** Attach using 4 (S2) #8 x 1-1/2" Wood Screws per board. (fig. 14.1 and 14.2)

**B:** From inside the fort have a helper hold the (2847) Rock Support horizontally so that it lines up with the pre-drilled holes along the center of the Vertical Rock Boards. Attach from the outside using 1 (S2) #8 x 1-1/2" Wood Screw per board. (fig. 14.3, 14.4 and 14.5)

Fig. 14.1



2851 Note orientation, every other board is flipped

Fig. 14.2

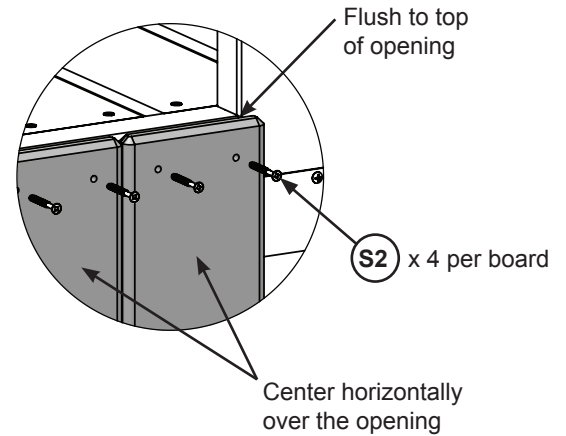


Fig. 14.3  
Inside View

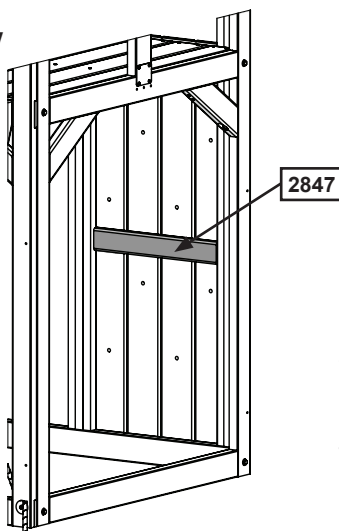


Fig. 14.4  
Outside View

One person holds the Rock Support on the inside while it gets screwed from the outside

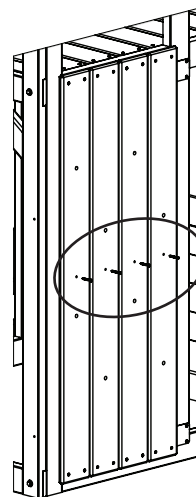
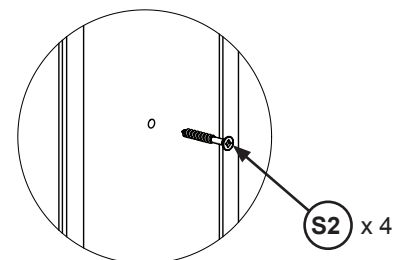


Fig. 14.5



### Wood Parts

- 4 x 2851 Vertical Rock Board 15.9 x 114.3 x 1193.8mm
- 1 x 2847 Rock Support 25.4 x 63.5 x 419.1mm

### Hardware

- 20 x S2 #8 x 1-1/2" Wood Screw

# Step 14: Vertical Wall Assembly Part 2

**C:** Alternating shapes, attach 2 rocks to each (2851) Vertical Rock Board using 1 (PB2) 1/4 x 1-1/4" Pan Bolt (with 1/4" lock washer, 3/16" flat washer and 1/4" barrel nut) and 1 (S10) #8 x 1" Pan Screw per rock. The Pan Screw is placed in the hole beneath the Pan Bolt. (fig. 14.6 and 14.7)

**Make sure all hardware is used to secure each rock properly.**

Fig. 14.6

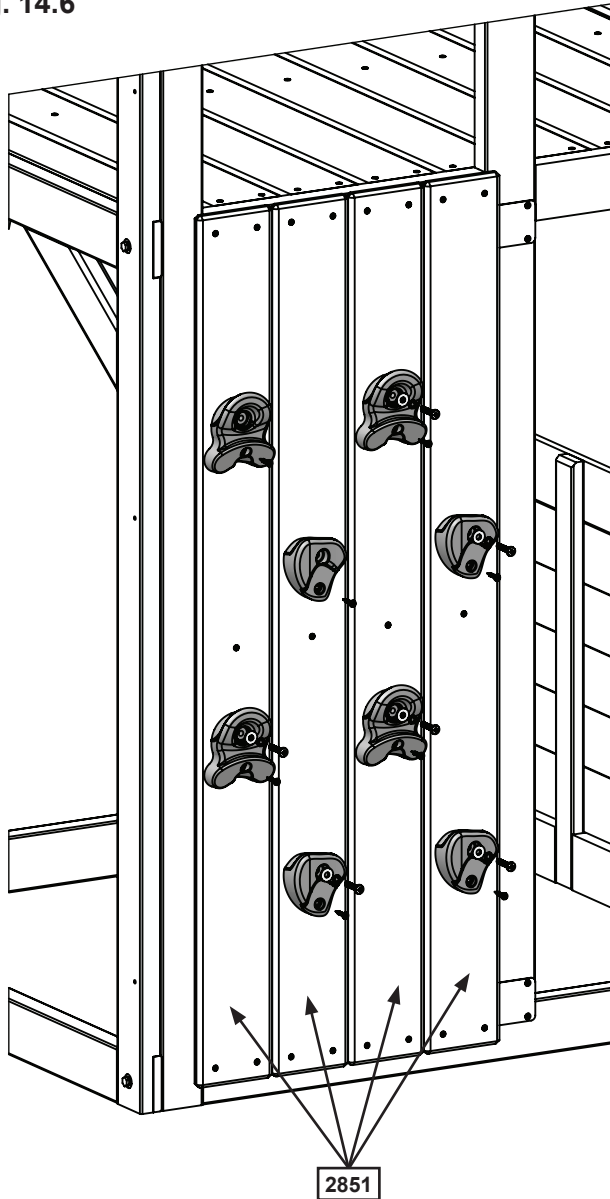
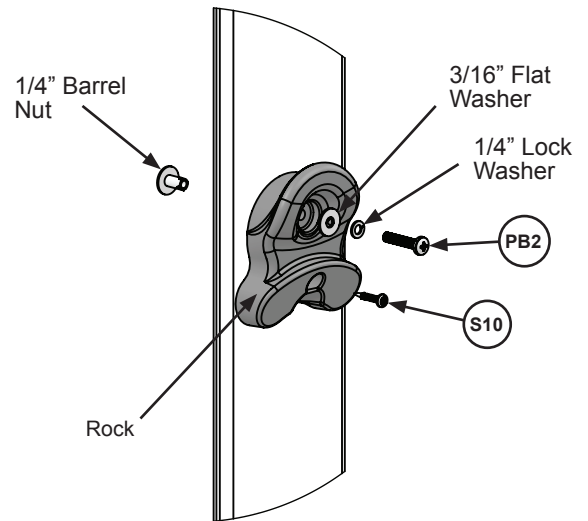


Fig. 14.7



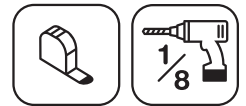
### Hardware

- 8 x (S10) #8 x 1" Pan Screw
- 8 x (PB2) 1/4 x 1-1/4" Pan Bolt  
(lock washer, flat washer & barrel nut)

### Other Parts

- 2 x 4pk Rocks

# Step 15: Attach Hand Grips



**A:** On the (2774) Upright measure 2" (50.8mm) up from the top of the Vertical Rock Boards and center 1 Hand Grip on the post. Pre-drill with a 1/8" (3.2mm) drill bit and attach using 2 (LS1) 1/4 x 1-1/2" Lag Screw (with flat washers). (fig. 15.1 and 15.2)

**B:** On the Back Wall of the assembly and to the center, repeat step A to attach second hand grip. (fig. 15.2 and 15.3)

Fig. 15.1

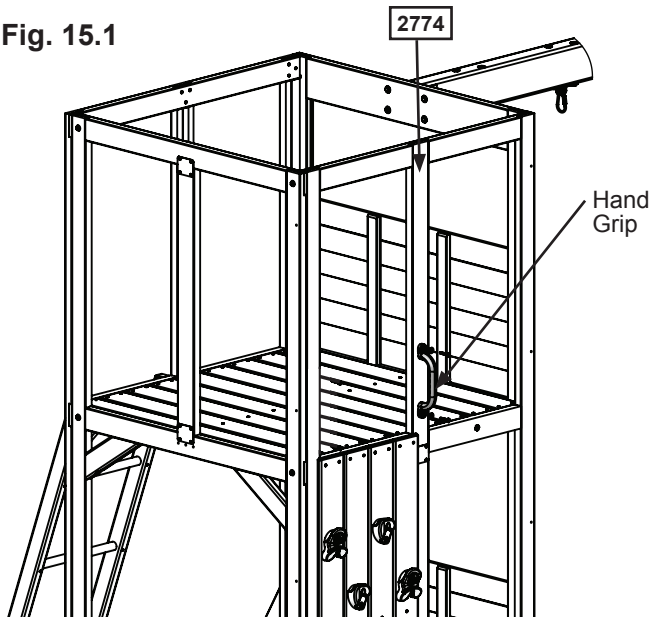


Fig. 15.2

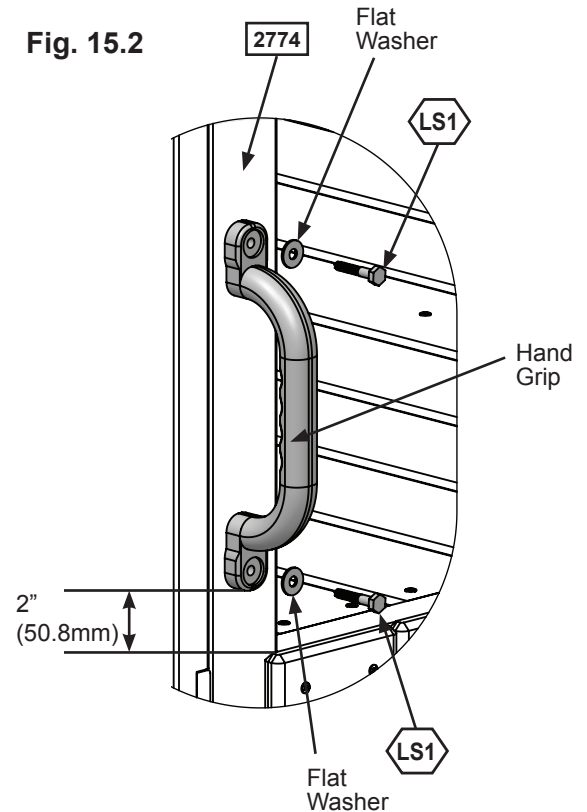
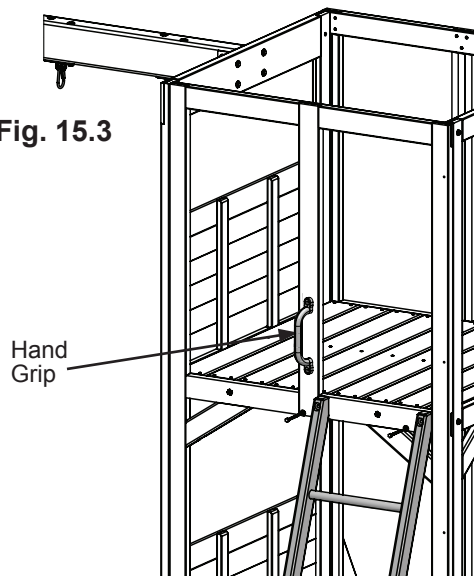



Fig. 15.3



**Hardware**  
4 x  1/4 x 1-1/2" Lag Screw  
(with flat washer)

**Other Parts**  
2 x Hand Grip

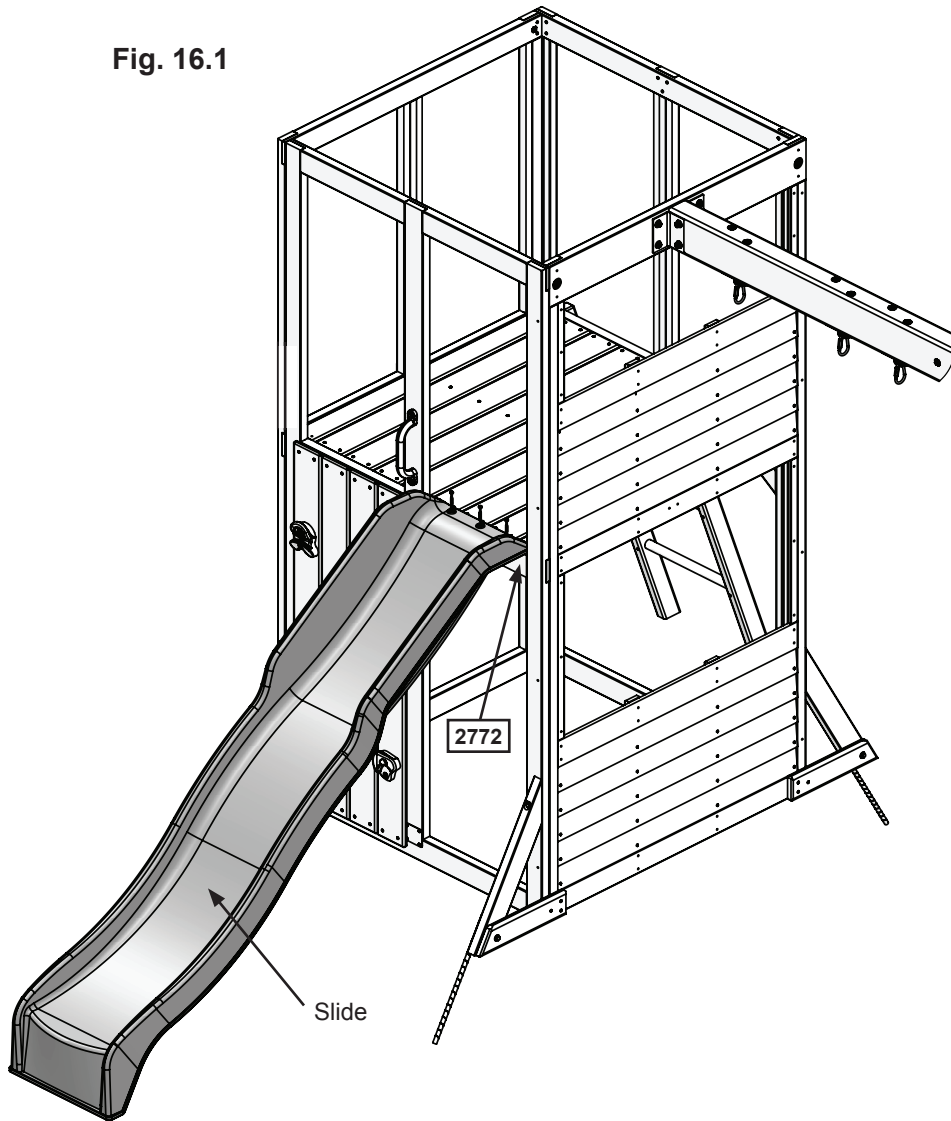


# Step 16: Attach Slide to Fort

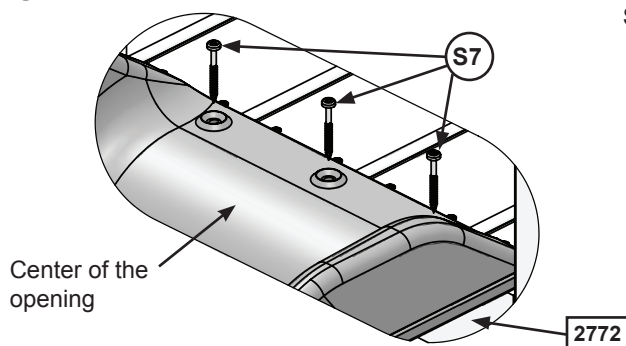


**A:** Place Slide in the center of the opening on the front right of the fort as shown in fig. 16.1, pre-drill with a 1/8" (3.2 mm) drill bit then attach slide to fort through the (2772) Panel Floor Support using 3 (S7) #12 x 2" Pan Screws. (fig. 16.2 and 16.3)

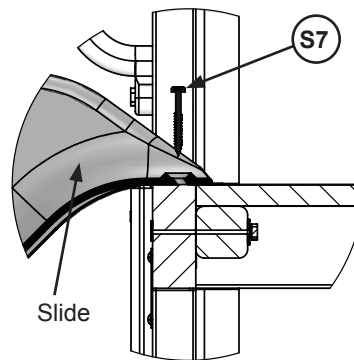
**Fig. 16.1**



**Fig. 16.2**



**Fig. 16.3**  
Side View



### Hardware

3 x (S7) #12 x 2" Pan Screw

### Other Parts

1 x Slide

# Step 17: Lower Jamb Assembly



**A:** In the lower opening of the End Panel place 1 (2601) Lower Jamb so it measures 17" (432mm) to the inside of each post then attach (2601) Lower Jamb with 2 Jamb Mounts using 4 (S0) #8 x 7/8" Truss Screws per mount. (fig. 17.1, 17.2 & 18.3)

Fig. 17.1

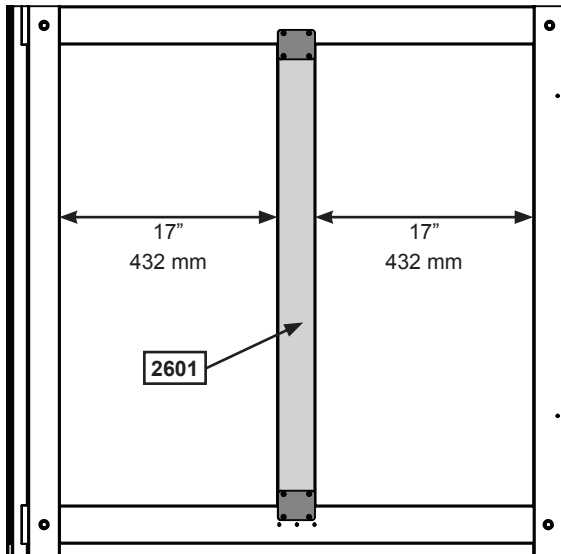
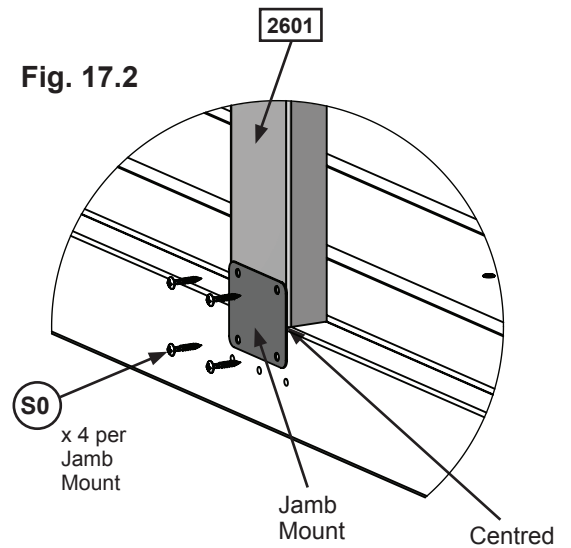


Fig. 17.2



### Wood Parts

1 x **2601** Lower Jamb 31.8 x 76.2 x 1065.2 mm

### Hardware

8 x **S0** #8 x 7/8" Truss Screw

### Other Parts

2 x Jamb Mount

# Step 18: Banister Assembly



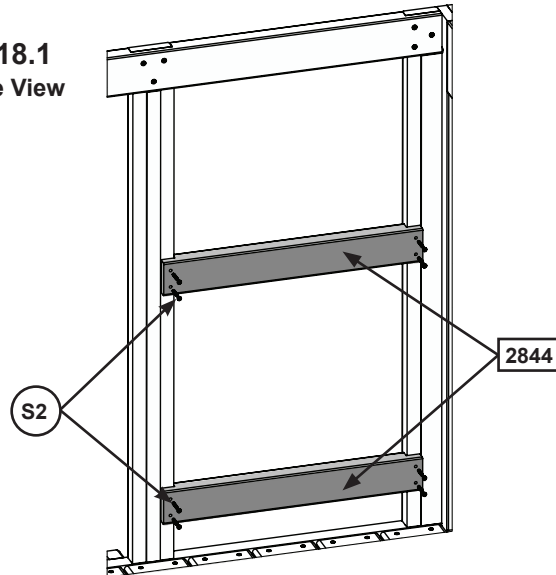
**A:** From inside the fort on the top Left hand side of the End Wall measure 3”(76.2mm) up from the top of the floor boards. Attach 1 (2844) Horizontal using 4 (S2) #8 x 1-1/2” Wood Screws. (fig. 18.1 and 18.2)

**B:** Measure 15”(381mm) up from the top of the (2844) Horizontal installed in Step A and install a second (2844) Horizontal using 4 (S2) #8 x 1-1/2” Wood Screws. (fig. 18.1 and 18.2)

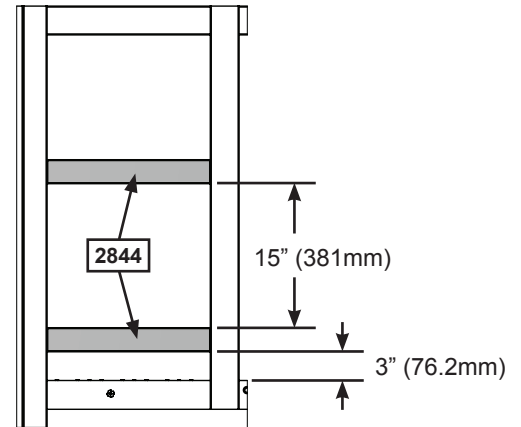
**C:** From inside the assembly evenly space 3 (2840) Ballusters as shown in fig. 9.4 and attach using 4 (S2) #8 x 1-1/2” Wood Screws per board. (fig. 18.4)

**D:** Repeat to install banister in upper opening on right side of the Back Wall Panel.

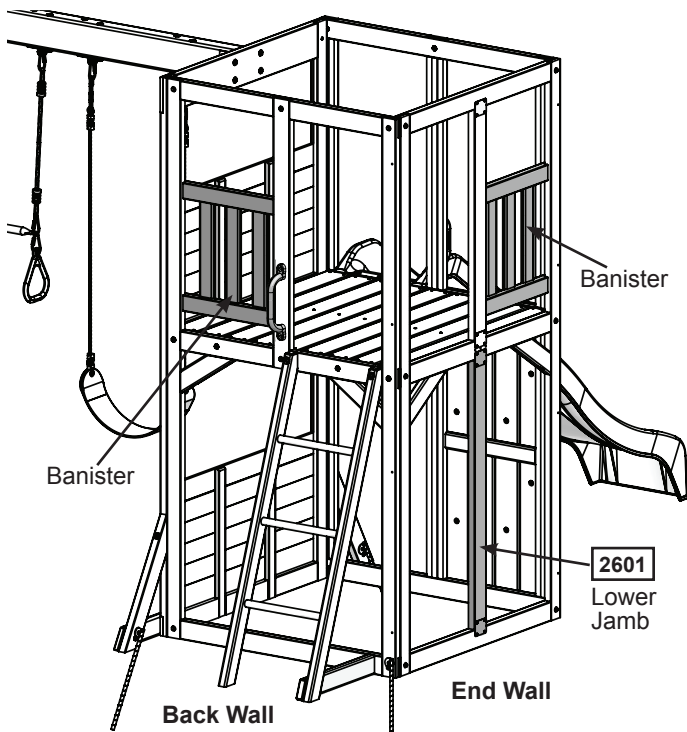
**Fig. 18.1**  
Inside View



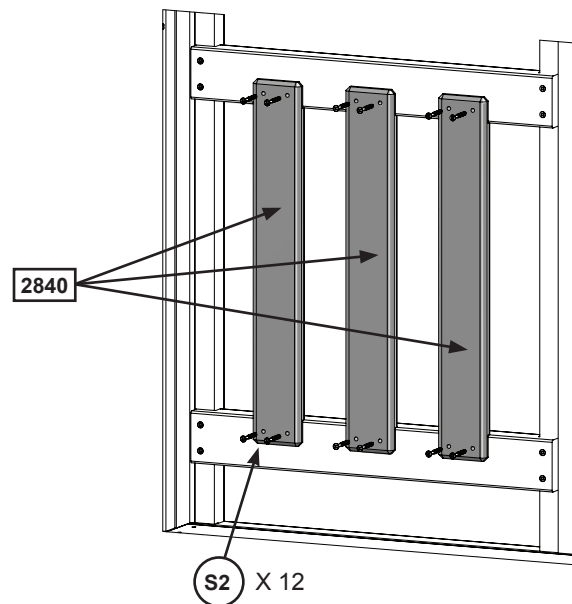
**Fig. 18.2**  
Front View



**Fig. 18.3**  
Outside View



**Fig. 18.4**  
Inside View



**Wood Parts**

- 4 x 2844 Horizontal 31.8 x 63.5 x 479.4mm
- 6 x 2840 Ballusters 19.1 x 63.5 x 444.5mm

**Hardware**

- 40 x S2 #8 x 1-1/2” Wood Screw

# Step 19: Gable End Assembly Part 1

**A:** Attach one (2852) Roof End to a second (2852) Roof End at peak using 1 (S3) #8 x 2-1/2" Wood Screw. (Fig. 19.1)

**B:** Place 1 (2853) Roof Support between the Roof Ends so the bottom of the Roof Support is flush with the bottoms of each Roof End. Attach using 2 (S4) #8 x 3" Wood Screws (Fig. 19.1 and 19.2)

**C:** Repeat step to make 4 assemblies.

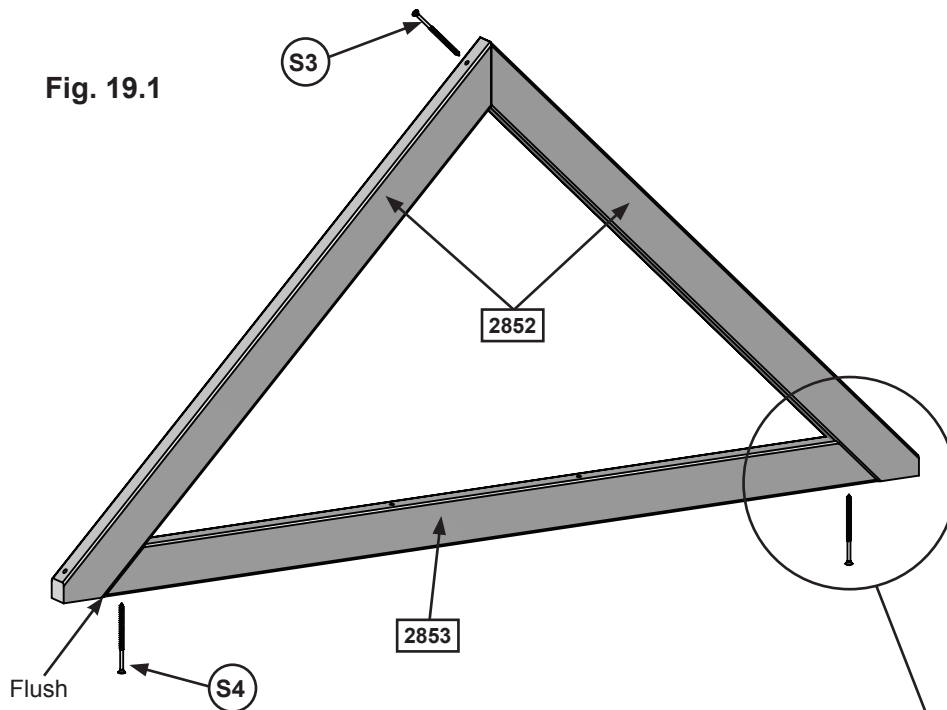
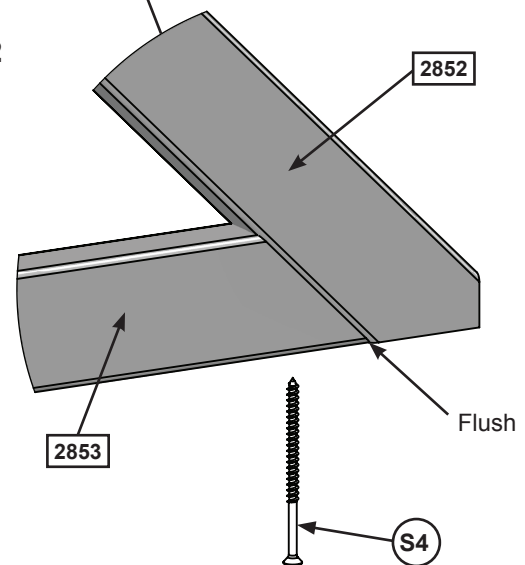


Fig. 19.2



### Wood Parts

8 x 2852 Roof End 25.4 x 50.8 x 754.7mm  
4 x 2853 Roof Support 25.4 x 50.8 x 946.2mm

### Hardware

4 x S3 #8 x 2-1/2" Wood Screw  
8 x S4 #8 x 3" Wood Screw

# Step 19: Gable End Assembly Part 2



**D:** From the peak of the gable assembly measure approximately 3" (80.37mm) down and attach 1 (2843) Gable Board C using 4 (S2) #8 x 1-1/2" Wood Screws as shown in (fig. 52.3 and 52.4). There should be maintaining a 1" (25.40mm) space between the sides of Gable Board C and the edge of the Gable Assembly. (fig. 19.3 and 19.4)

**E:** Place (2841 and 2842) Gable Boards A and B on each side of the Gable assembly as shown in (fig. 19.3), again making sure that there is a space of 1" (25.40mm) between the boards and the edge of the gable and attach using 4 (S2) #8 x 1-1/2" per board. (fig. 19.3 and 19.4)

**F:** Repeat steps D and E to complete the remaining 3 Gable Assemblies.

Fig. 19.3

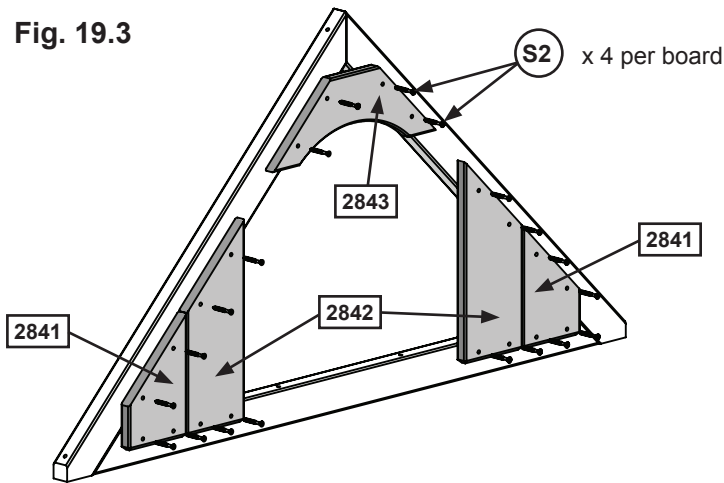
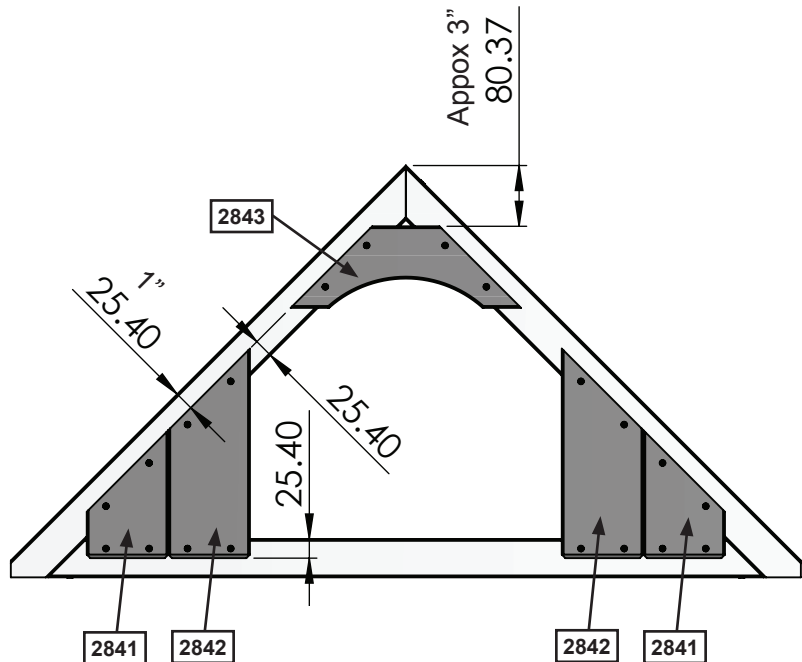


Fig. 19.4



### Wood Parts

- 8 x Gable Board A 15.9 x 108 x 169.3mm
- 8 x Gable Board B 15.9 x 108 x 277.2mm
- 4 x Gable Board C 15.9 x 108 x 304.8mm

### Hardware

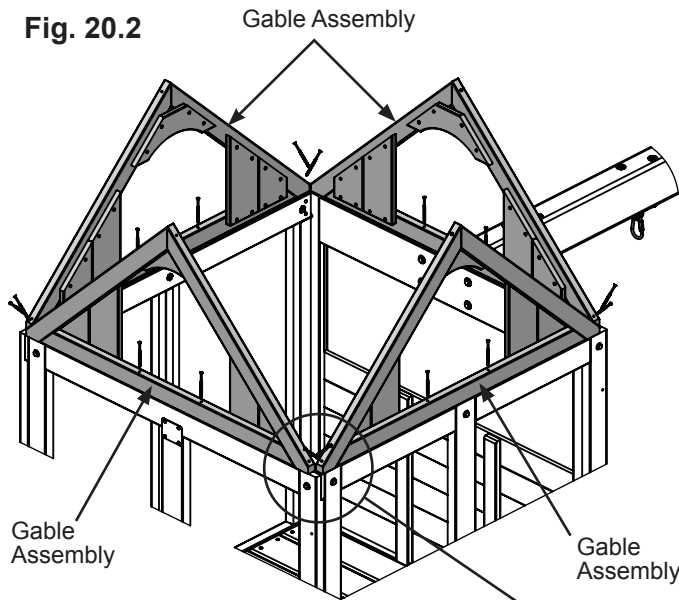
- 80 x #8 x 1-1/2" Wood Screw

# Step 20: Attach Gables to Fort

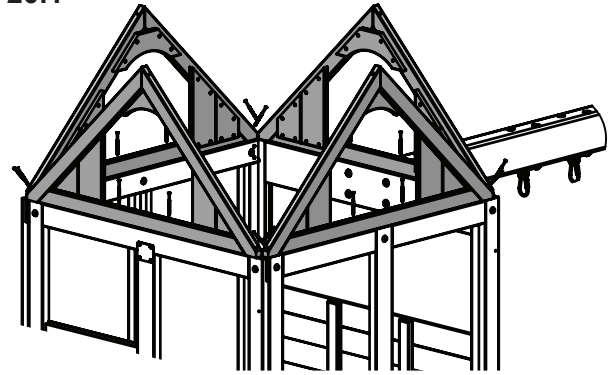


**A:** Center 1 Gable Assembly on the top of each wall panel as shown in fig. 20.2 making sure that the assemblies are flush with the front of the wall panels. Attach each Gable Assembly to the panel using 4 (S4) #8 x 3" Wood Screws per assembly making sure that the end screws are going in on an angle. (Fig. 20.2, 20.3, 20.4, 20.5 and 20.6)

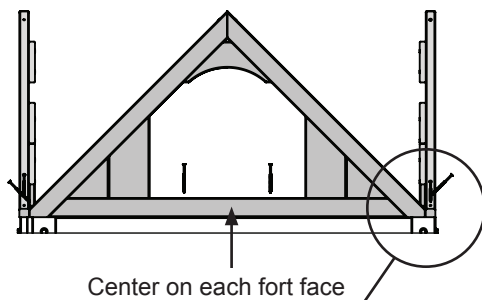
**Fig. 20.2**



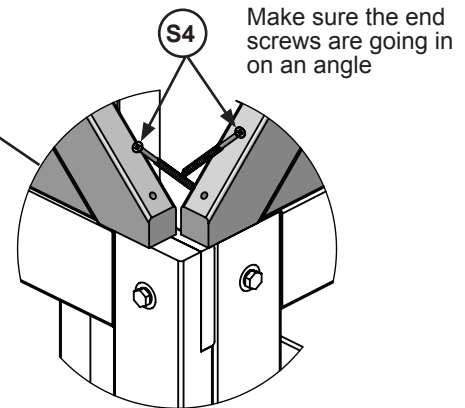
**Fig. 20.1**



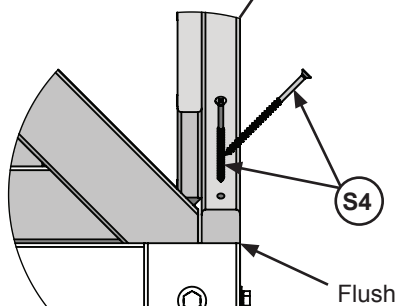
**Fig. 20.3**



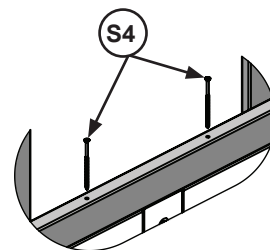
**Fig. 20.5**



**Fig. 20.4**



**Fig. 20.6**



## Hardware

16 x (S4) #8 x 3" Wood Screw

# Step 21: Attach Roof Panels Part 1



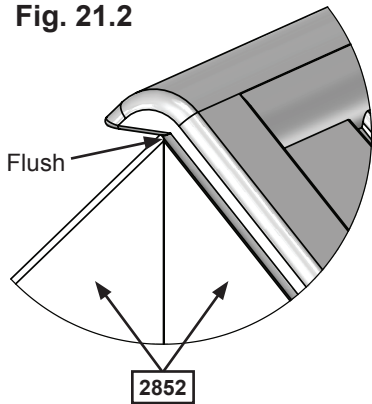
**Note:** It is important to ensure that there is a 5mm square opening in the top, center of the roof. This will be used in a later step.

**A:** Bend roof panel along the fold to allow the panel to fit between the gables. (Fig. 21.1)

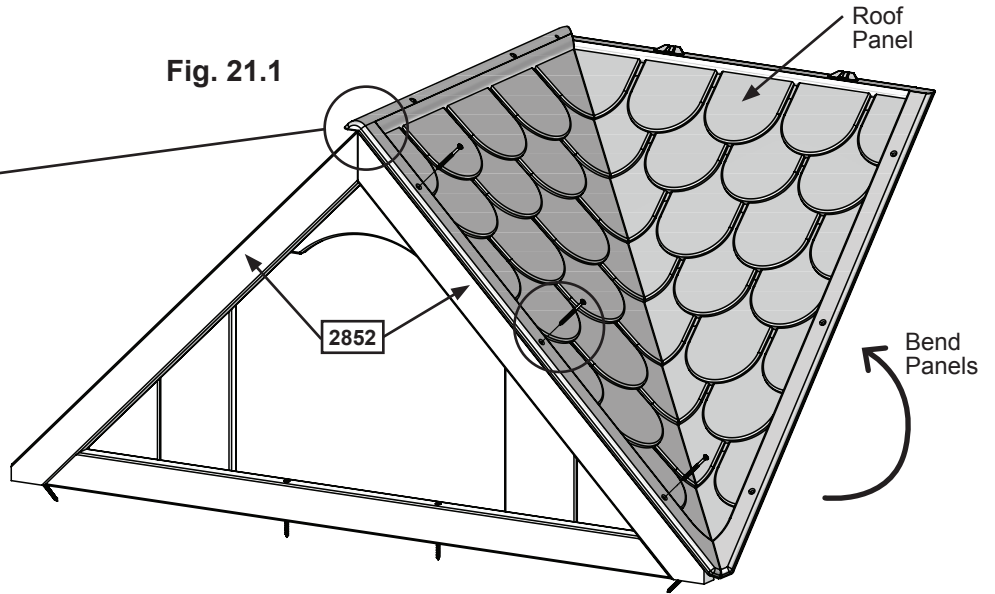
**B:** Place panel onto the gable as shown in fig. 4.1, making sure that it's flush to the end and side edge of the (2852) Roof End. (fig. 21.2 and 21.3)

**C:** Attach the roof panel to (2852) Roof End using 3 (S11) #8 x 2" Wood Screws per side. (fig. 21.1 and 21.4)

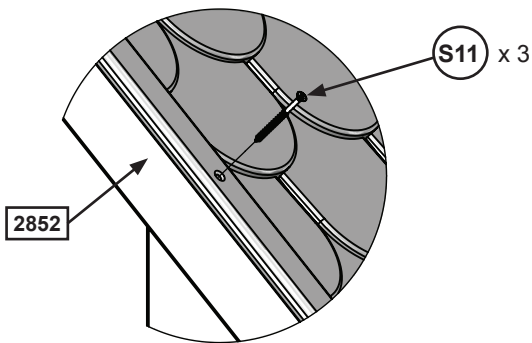
**Fig. 21.2**



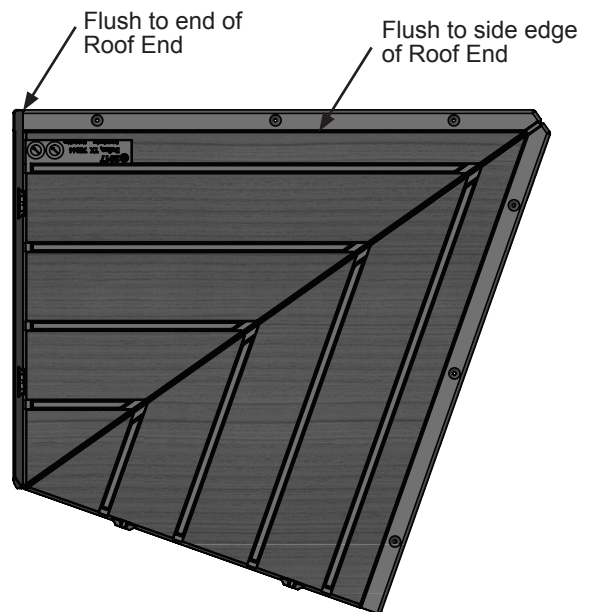
**Fig. 21.1**



**Fig. 21.4**



**Fig. 21.3**



## Hardware

6 x (S11) #8 x 2" Wood Screw

## Other Parts

4 x Roof

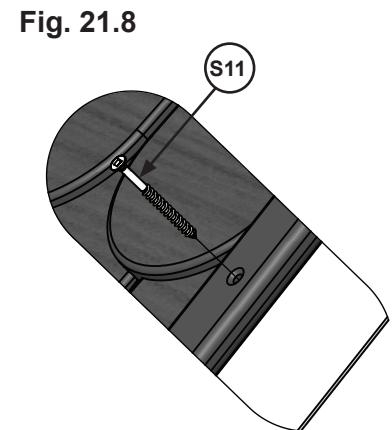
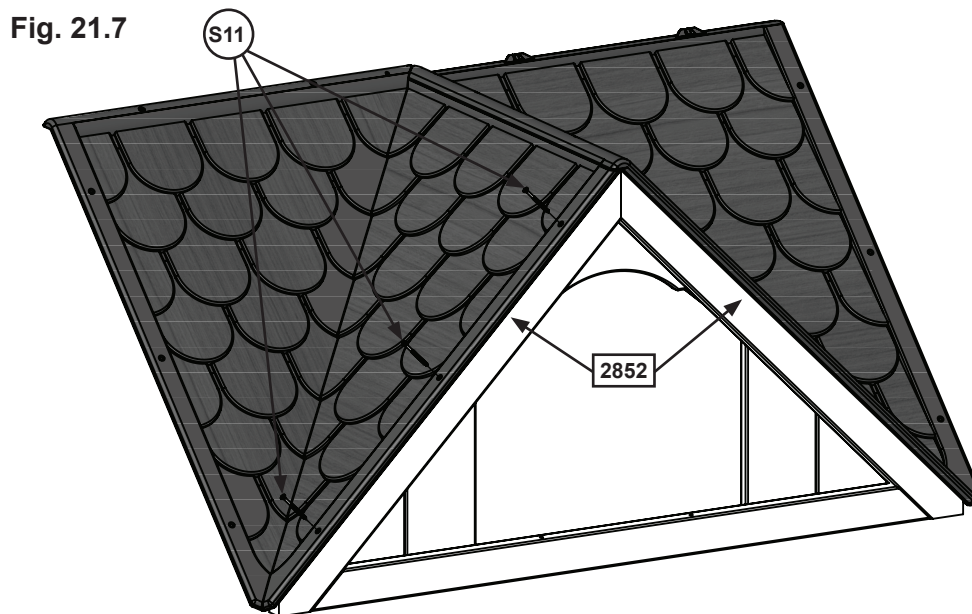
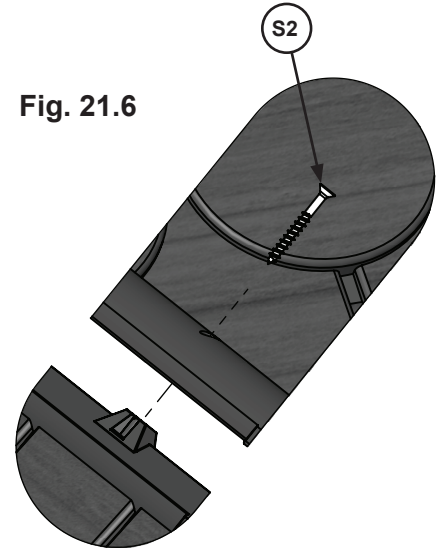
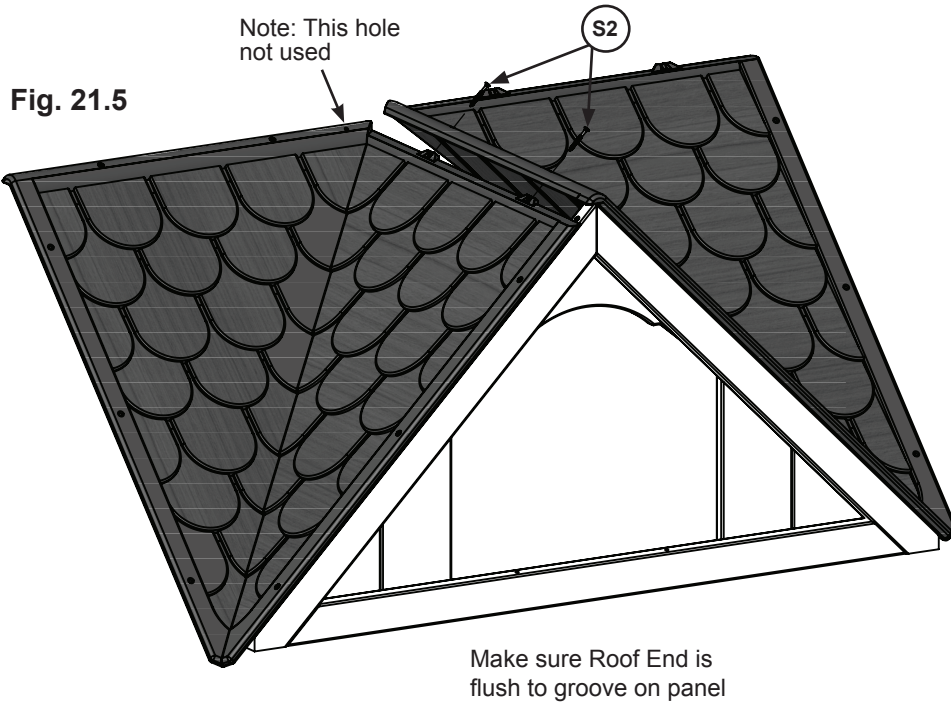
# Step 21: Attach Roof Panels Part 2



**D:** Take a second roof panel and fit the connector tabs so they are coupled with the panel that was previously installed. Snap them into place and attach panels together using 2 (S2) #8 x 1-1/2" Wood Screws and then attach panels to (2852) Roof End using 3 (S11) #8 x 2" Wood Screws. (fig. 21.5, 21.6, 21.7 and 21.8)

\* Other gables hidden for clarity

Begin with two gable assemblies and assemble as shown



### Hardware

6 x (S11) #8 x 2" Wood Screw

2 x (S2) #8 x 1-1/2" Wood Screw



# Step 21: Attach Roof Panels Part 3



E: Repeat all steps to complete the roof assembly, making sure that a 5mm square opening is left in the center of the roof assembly. (fig. 21.9, 21.10 and 21.11)

Fig. 21.9

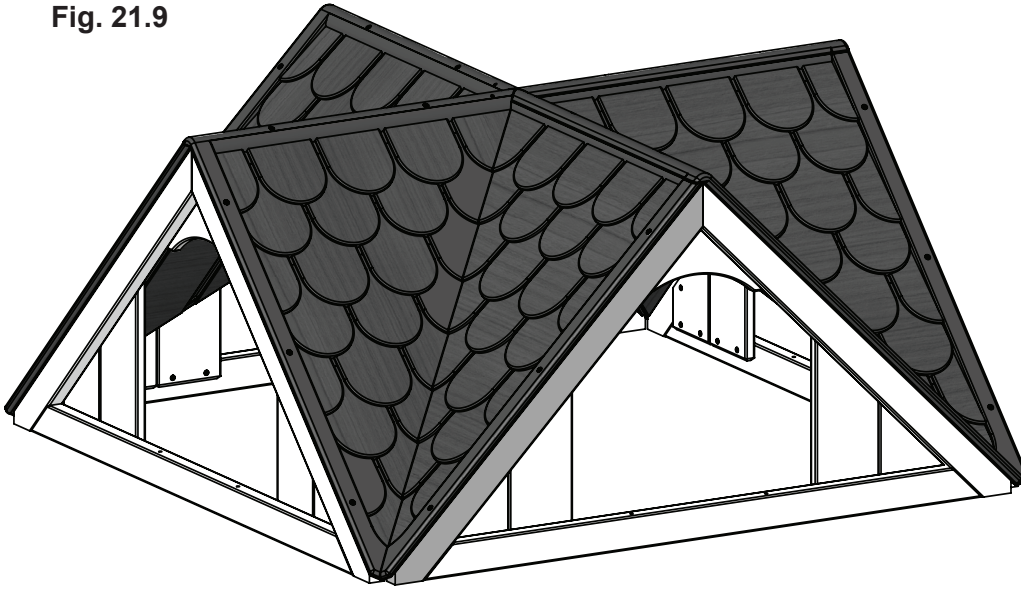
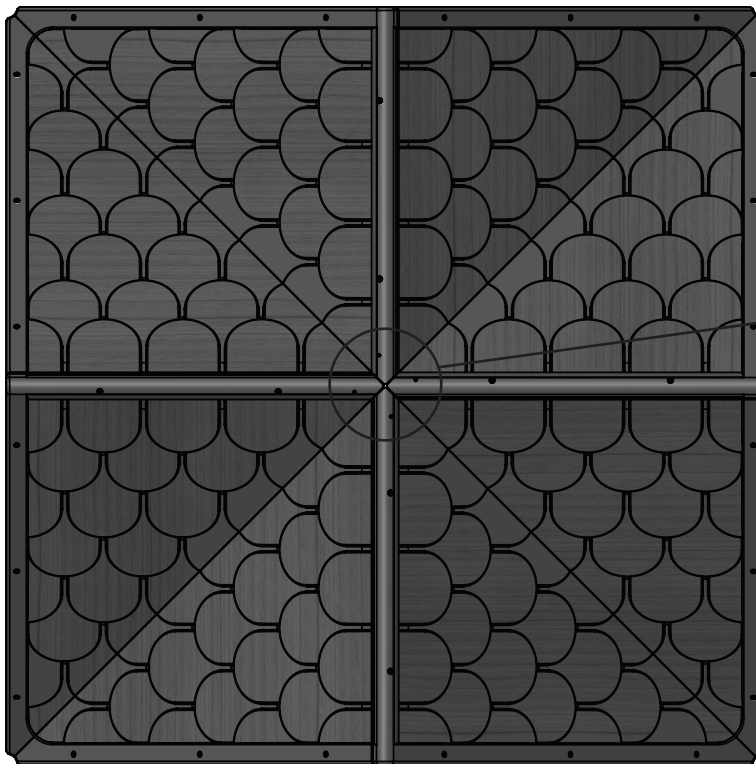
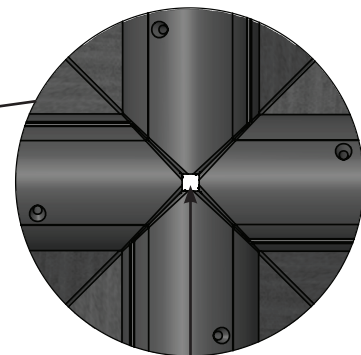


Fig. 21.10



Continue with the other 3 assemblies leaving a 5mm square opening in the centre

Fig. 21.11



5mm square

### Hardware

12 x (S11) #8 x 2" Wood Screw

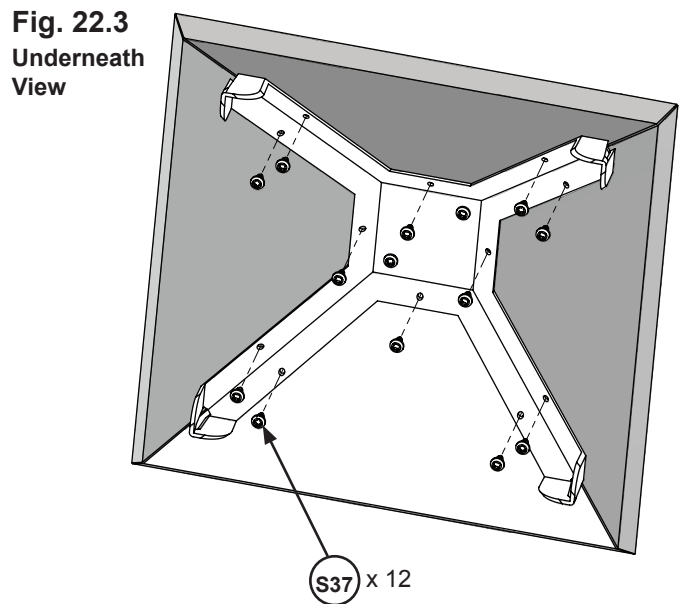
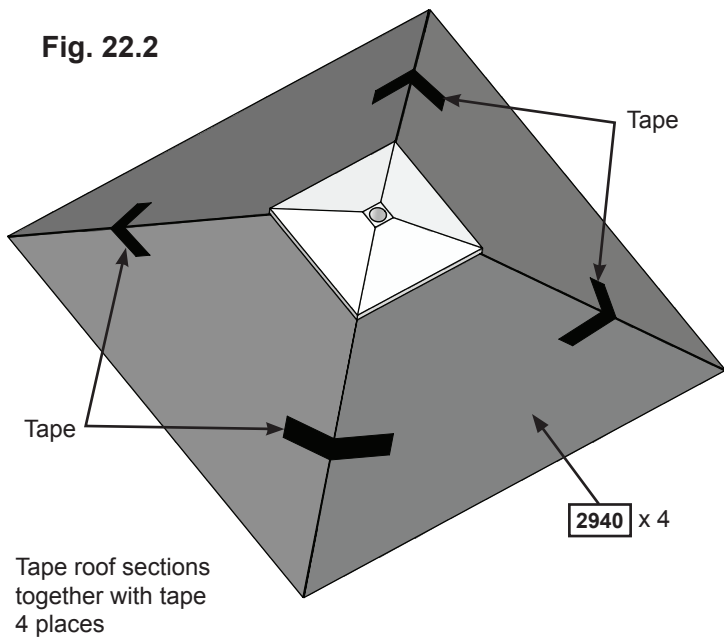
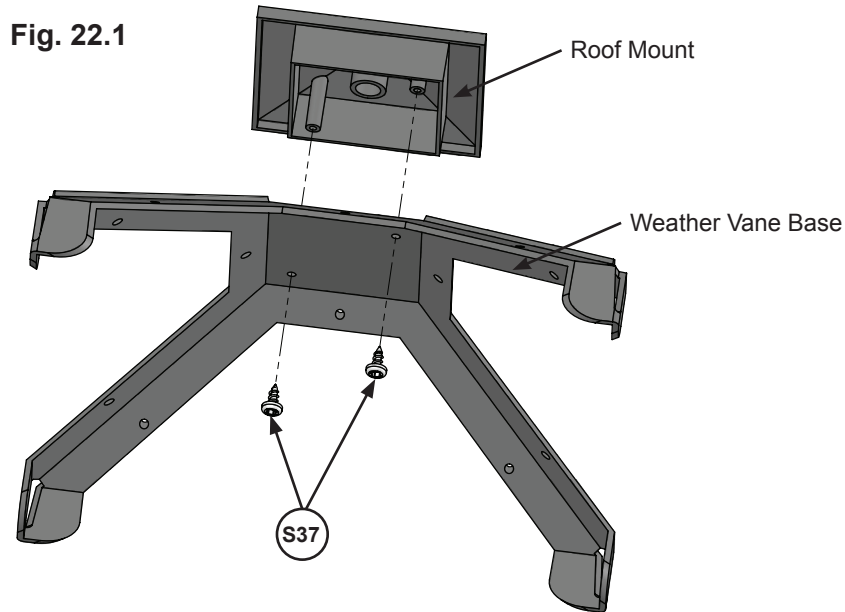
6 x (S2) #8 x 1-1/2" Wood Screw

# Step 22: Cupola Assembly Part 1

**A:** Place Weather Vane Base onto Roof Mount so that the holes line up as shown in fig. 22.1. Attach using 2 (S37) #7 x 5/8" Pan Screw.

**B:** Slide each (2940) Cupola Roof section between Base and Roof Mount. Tape sections together in 4 places as shown in fig. 22.2.

**C:** From underneath the Cupola Roof assembly install 12 (S37) #7 x 5/8" Pan Screw as shown in fig. 22.3.



### Wood Parts

4 x 2940 Cupola Roof 15 x 136 x 303mm

### Hardware

14 x S37 #7 x 5/8" Pan Screw

### Other Parts

1 x Roof Mount  
1 x Weather Vane Base

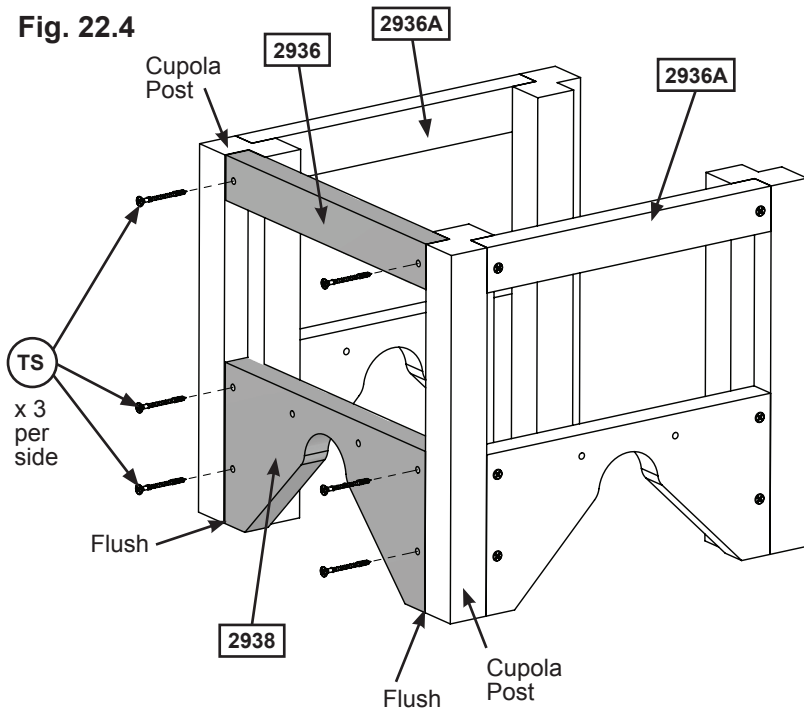
# Step 22: Cupola Assembly Part 2

**D:** Place 1 (2936A) Bell Cupola Side on each side of 1 (2938) Cupola Side Base with the open side of the Cupola Side Base facing the bottom. Make sure that the Cupola Posts and Cupola Side Base are flush at the bottom and attach using 4 (TS) #6 x 30mm Trim Screws. (fig. 22.4)

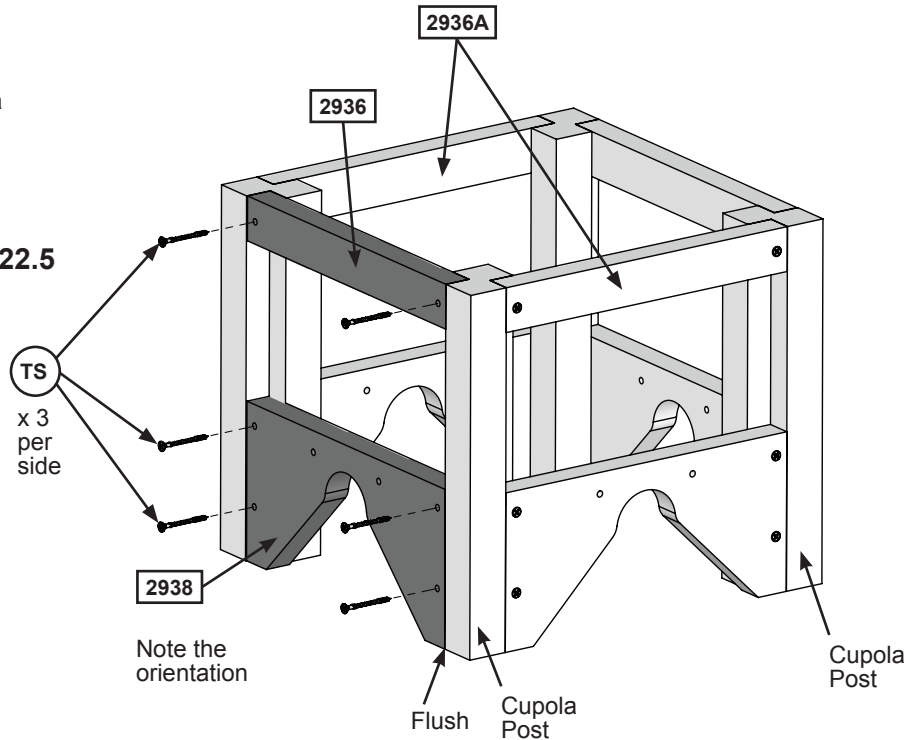
**E:** Using the pre-drilled holes at the top of the Cupola Posts attach 1 (2936) Cupola Front Top using 2 (TS) #6 x 30mm Trim Screws. (fig. 22.4)

**F:** Repeat Steps D and E attaching 4 sides together to form the Cupola. (fig 22.4 and 22.5)

**Fig. 22.4**



**Fig. 22.5**



### Wood Parts

- 2 x 2936A Bell Cupola Side 38 x 203.2 x 228mm
- 2 x 2936 Cupola Front Top 15 x 25 x 182mm
- 2 x 2938 Cupola Side Base 15 x 88.9 x 182mm

### Hardware

- 12 x TS #6 x 30mm Trim Screw

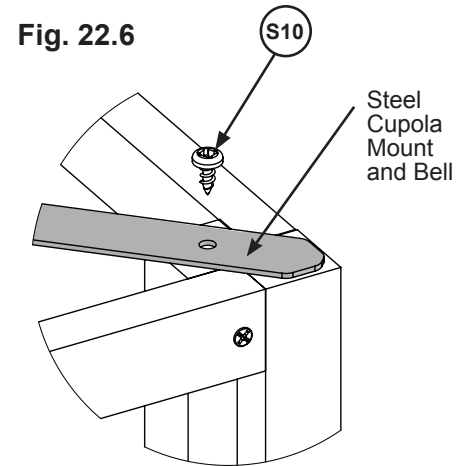
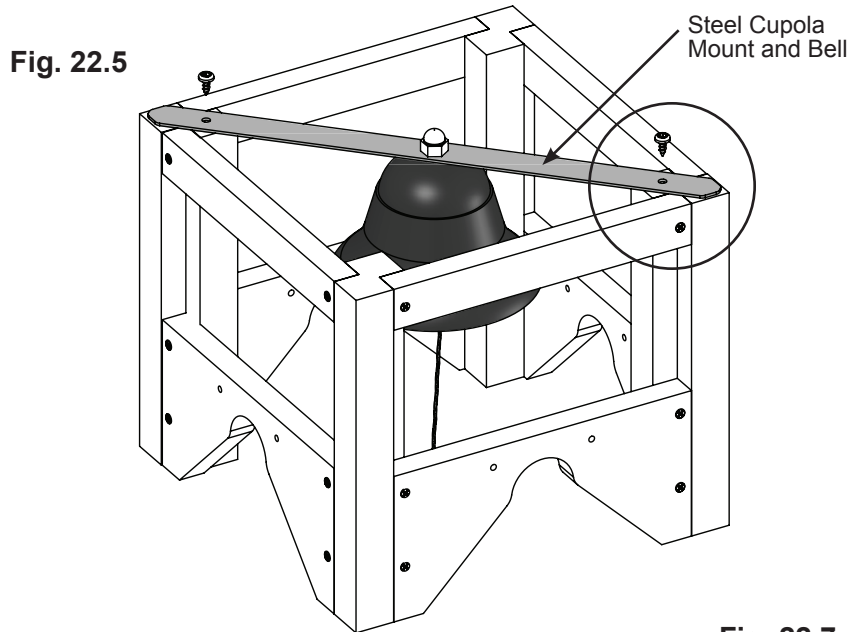
# Step 22: Cupola Assembly

## Part 3

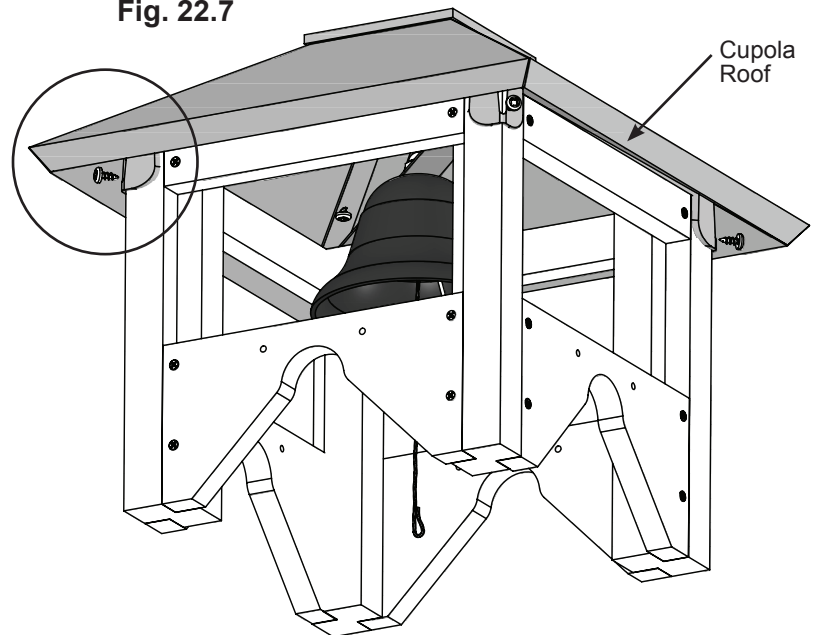
**A:** Place Steel Cupola Mount over the Bell. From inside the Bell push the Bell Clapper with screw upwards so that it is going through the Bell and the center hole on the Cupola Mount. Install the Bell Nut to secure into place. (fig. 22.5)

**B:** Place Steel Cupola Mount and Bell diagonally across the top of the Cupola assembly so that each end is resting on a Cupola Post. Attach using 1 (S10) #8 x 1" Pan Screw per side. (fig. 22.6)

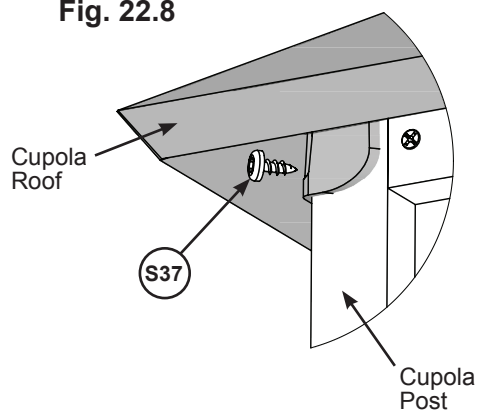
**C:** Place Cupola Roof onto the Cupola Assembly and attach to each Cupola Post using 4 (S37) #7 x 5/8" Pan Screw as shown in fig. 22.7 and 22.8.



**Fig. 22.7**



**Fig. 22.8**



### Hardware

4 x S37 #7 x 5/8" Pan Screw

2 x S10 #8 x 1" Pan Screw

### Other Parts

1 x Cupola Mount

1 x Bell

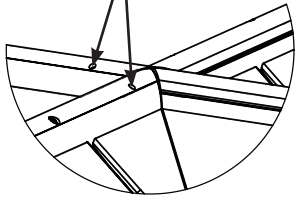
# Step 23: Attach Cupola Part 1



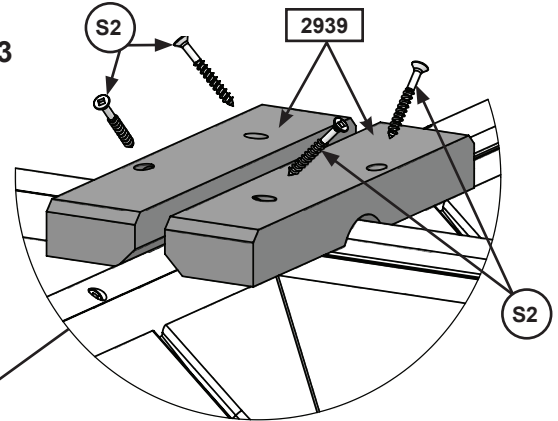
**A:** Place 2 (2939) Mount Blocks (fig. 23.3 and 23.4) over the top of the roof so that the holes line up with the starter holes in the panel. Attach using 4 (S2) #8 x 1-1/2 Wood Screws. (fig. 23.1, 23.2, 23.3 and 23.4)

**Fig. 23.2**

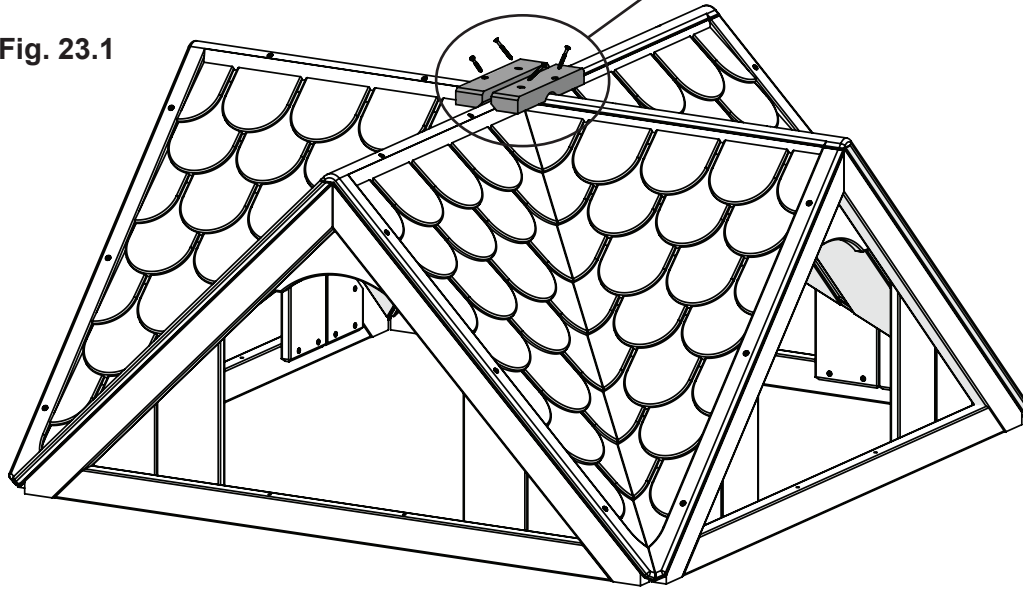
Screw holes in mount block line up to starter holes in roof (4 Places)



**Fig. 23.3**



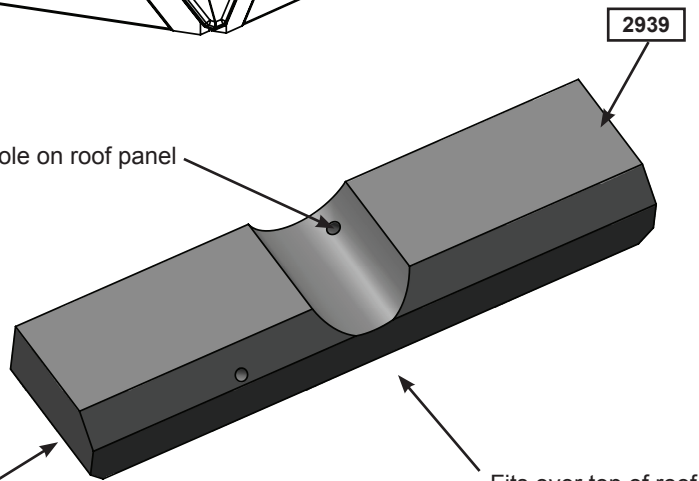
**Fig. 23.1**



Line up to starter hole on roof panel

**Fig. 23.4**

Flat edge to be tangent to the perpendicular roof panel



Fits over top of roof

**Wood Parts**

2 x **2939** Cupola Mount 25 x 45 x 194.8mm

**Hardware**

4 x **S2** #8 x 1-1/2" Wood Screw

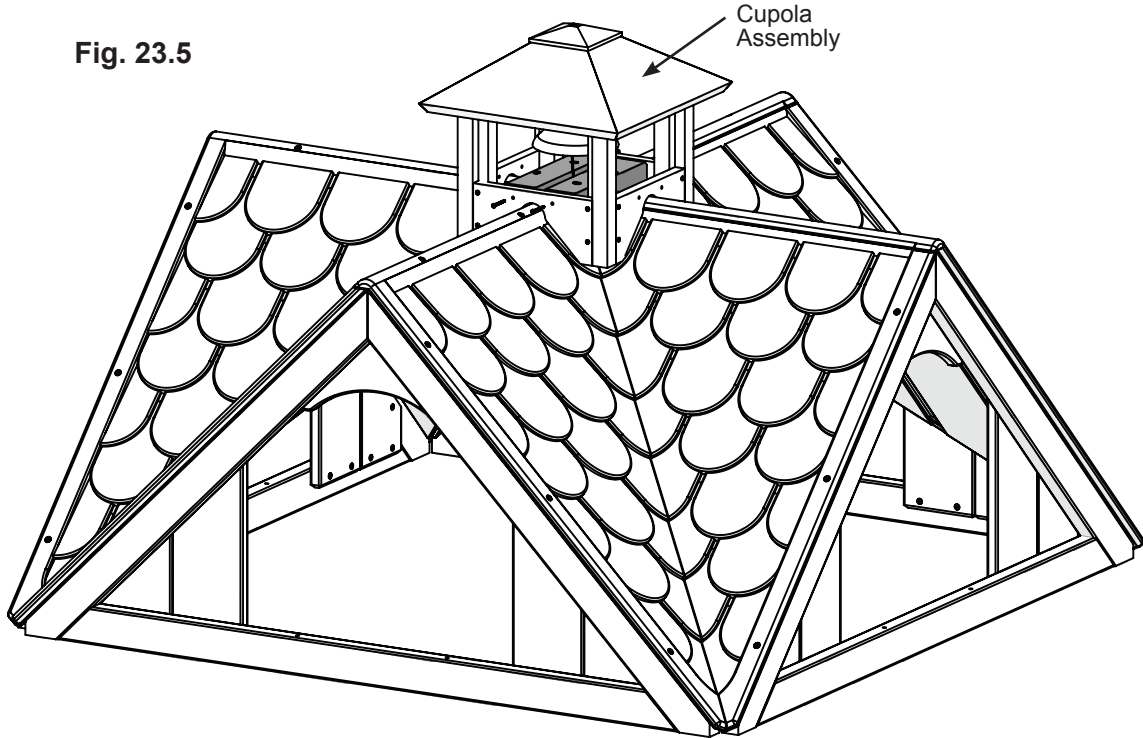
# Step 23: Attach Cupola Part 2



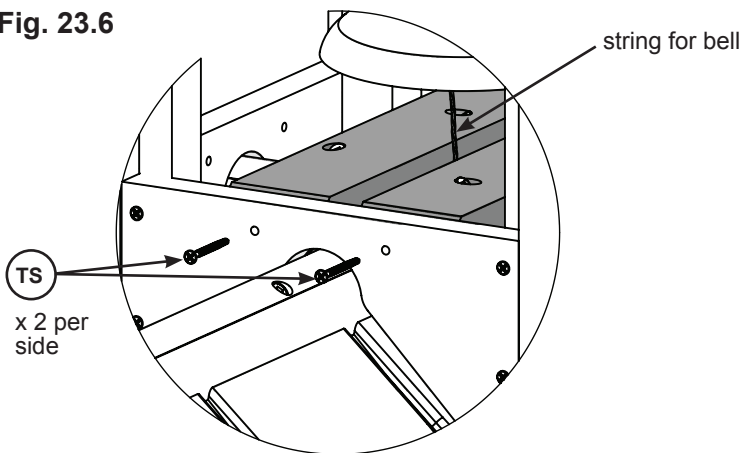
**B:** Place Cupola Assembly over both Mount Blocks and attach as shown in fig. 23.5 using 4 (TS) #6 x 30mm Trim Screws.

**C:** Pull string for bell through the square hole in the roof assembly. (fig. 23.6)

**Fig. 23.5**



**Fig. 23.6**



### Hardware

4 x (TS) #6 x 30mm Trim Screw

## Step 24: Attach Telescope

**A:** On the front panel center the telescope on the (2853) Roof Support and attach using 2 (S2) #8 x 1-1/2" Wood Screws. (Fig. 24.1 and fig. 24.2)

Fig. 24.1

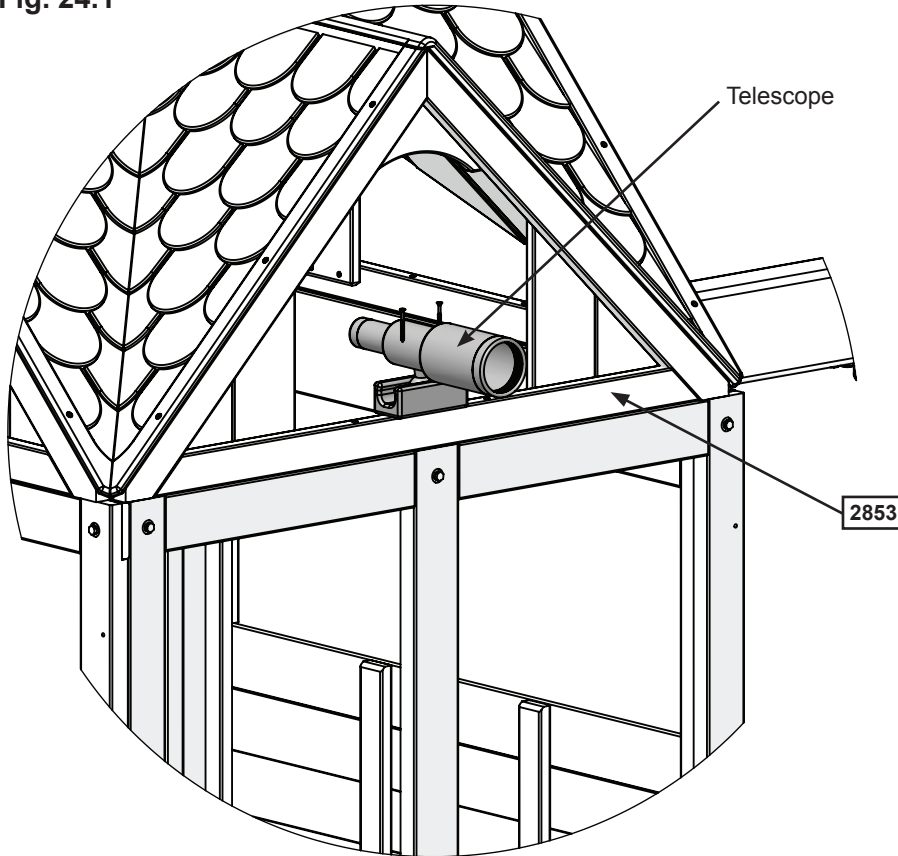
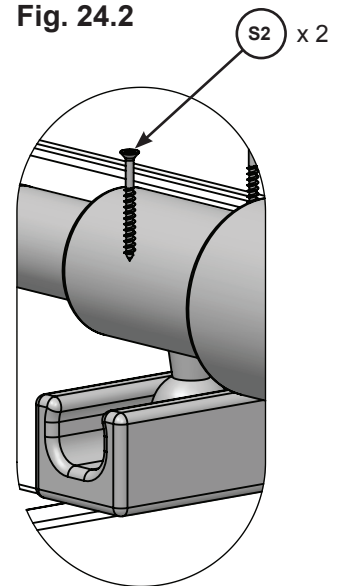



Fig. 24.2



### Hardware

2 x  #8 x 1-1/2" Wood Screw

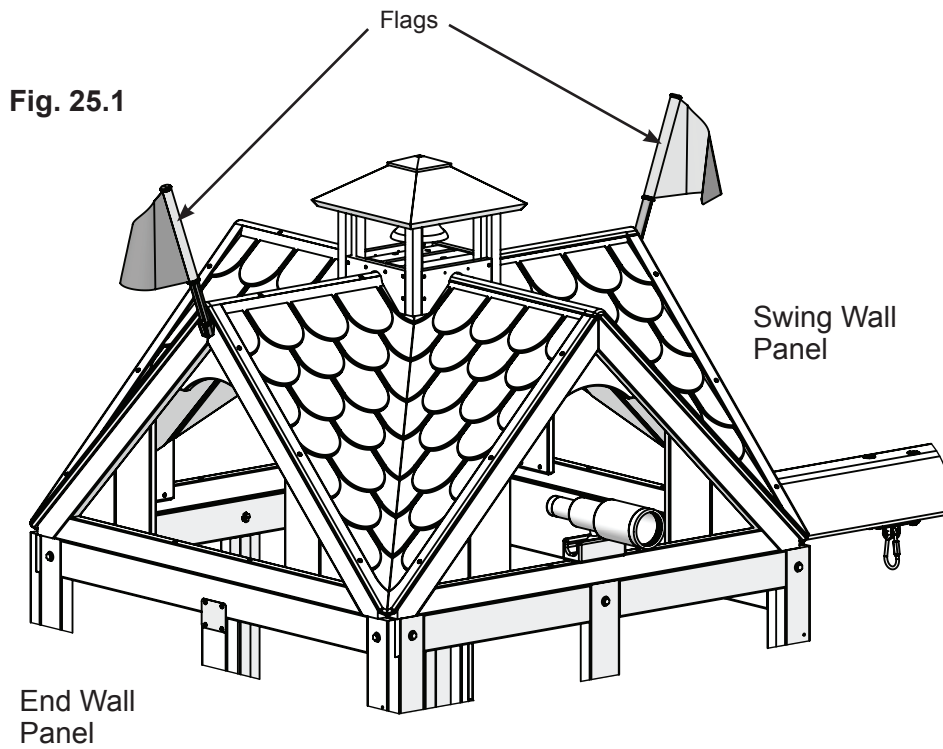
### Other Parts

1 x Telescope

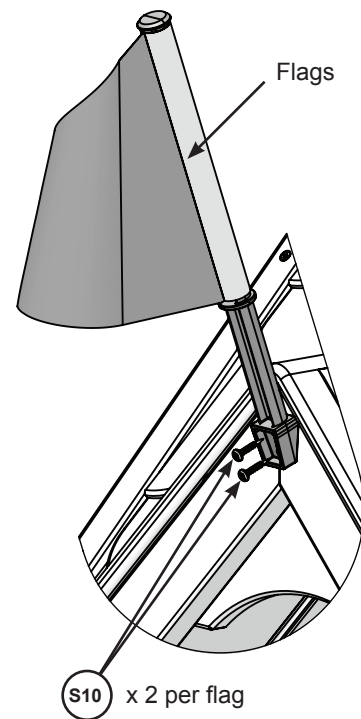
# Step 25: Attach Flags



**A:** On the Swing Wall panel and the End Wall Panel attach 1 Flag per side at the top corners of the Gable Assembly using 2 (S10) #8 x 1" Pan Screws per flag. (Fig. 25.2)



**Fig. 25.2**



### Hardware

4 x (S10) #8 x 1" Pan Screw

### Other Parts

2 x Flag

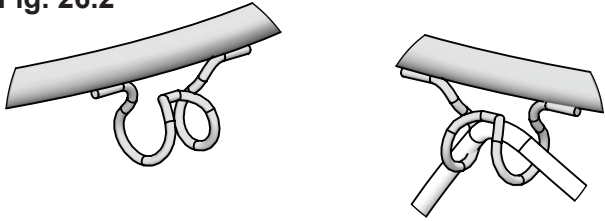


# Step 26: Install Basketball Net Part 1

**A:** Hold Hoop against the front of the Backboard and place the Backplate behind as shown in fig. 26.1. Insert the supplied 3 Carriage Bolts and Lock Nuts through the Hoop, Backboard and Backplate and attach. (fig. 26.1 and 26.3)

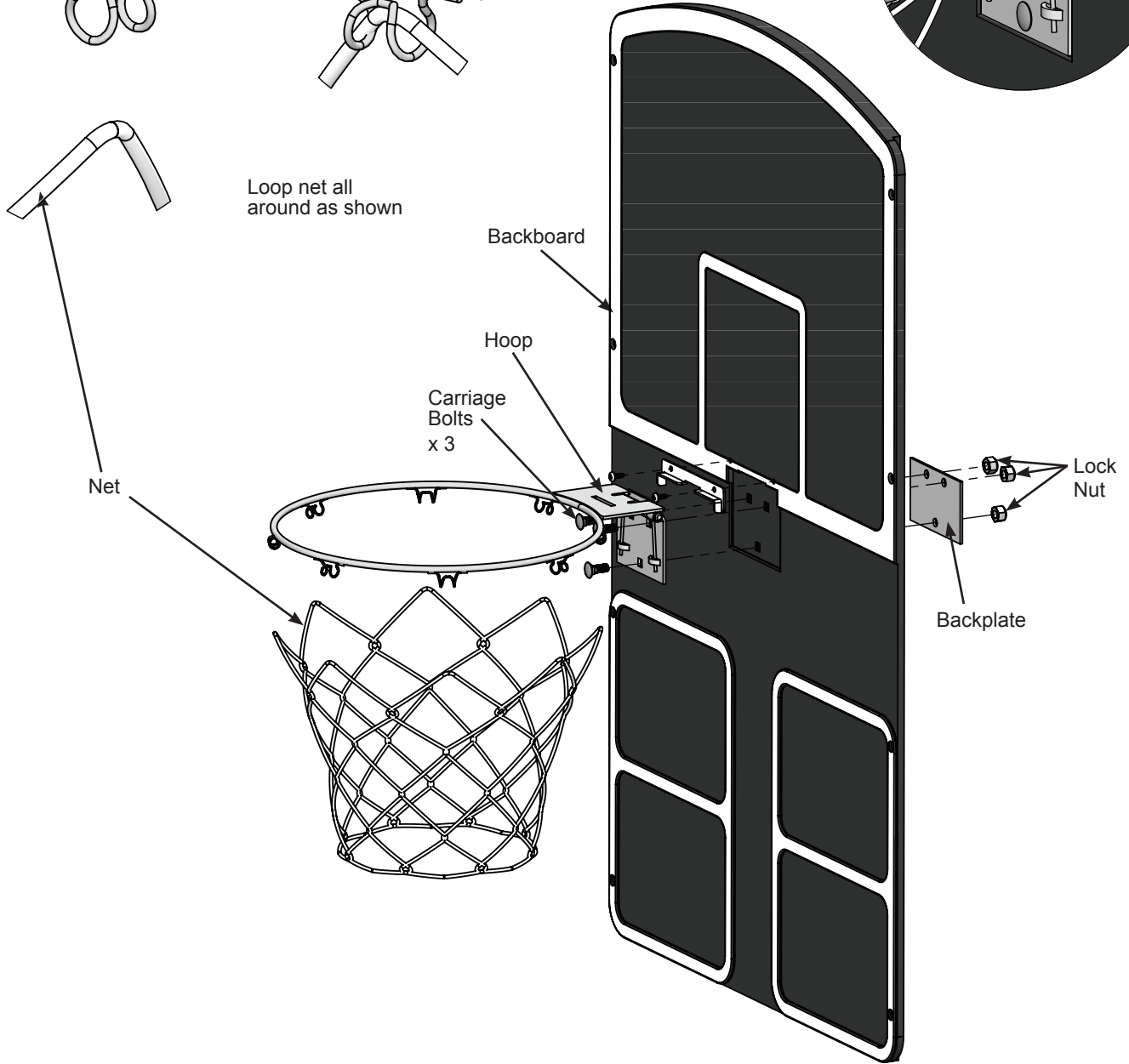
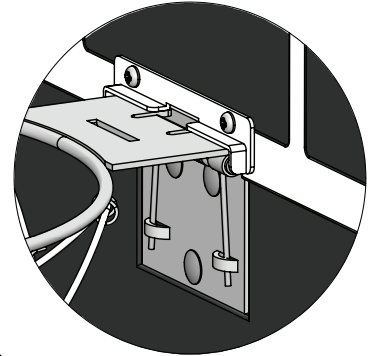
**B:** Loop the Net around Hoop clips. (fig. 26.2)

Fig. 26.2



Loop net all around as shown

Fig. 26.1



### Hardware

3 x Carriage Bolt (with Lock Nut)

### Other Parts

1 x - Hoop and Toss Game Add-On

# Step 26: Install Basketball Net Part 2



**C:** In the location shown in (Fig.26.4), measure 3.25" (82.6mm) up from the floor and install Backboard to Fort using 8 (S33) #8 x 1" Wood Screws. (Fig. 26.3, 26.4 and 26.5)

Fig. 26.3

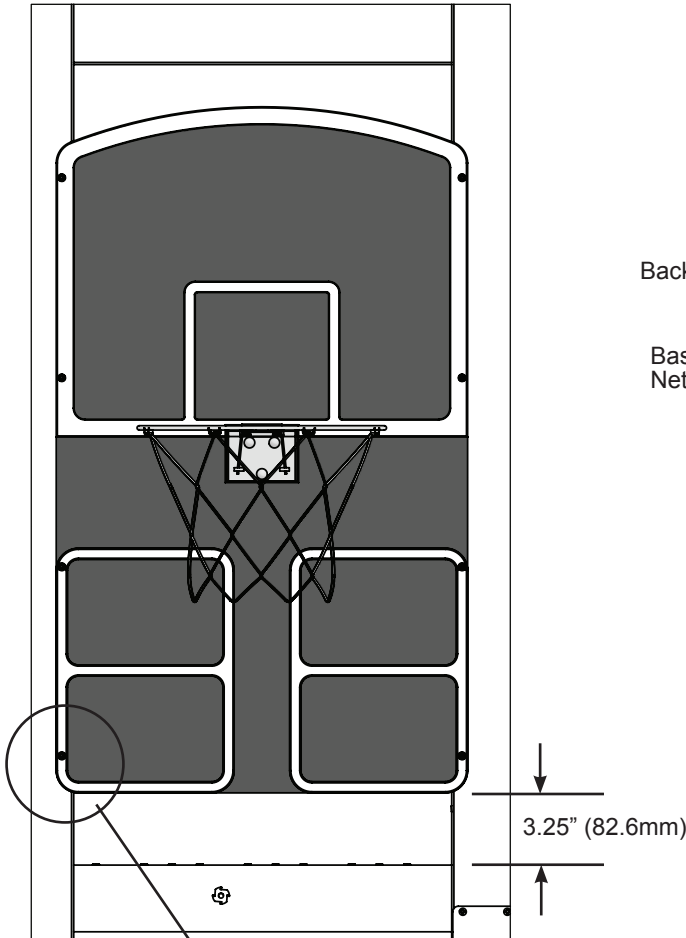


Fig. 26.4

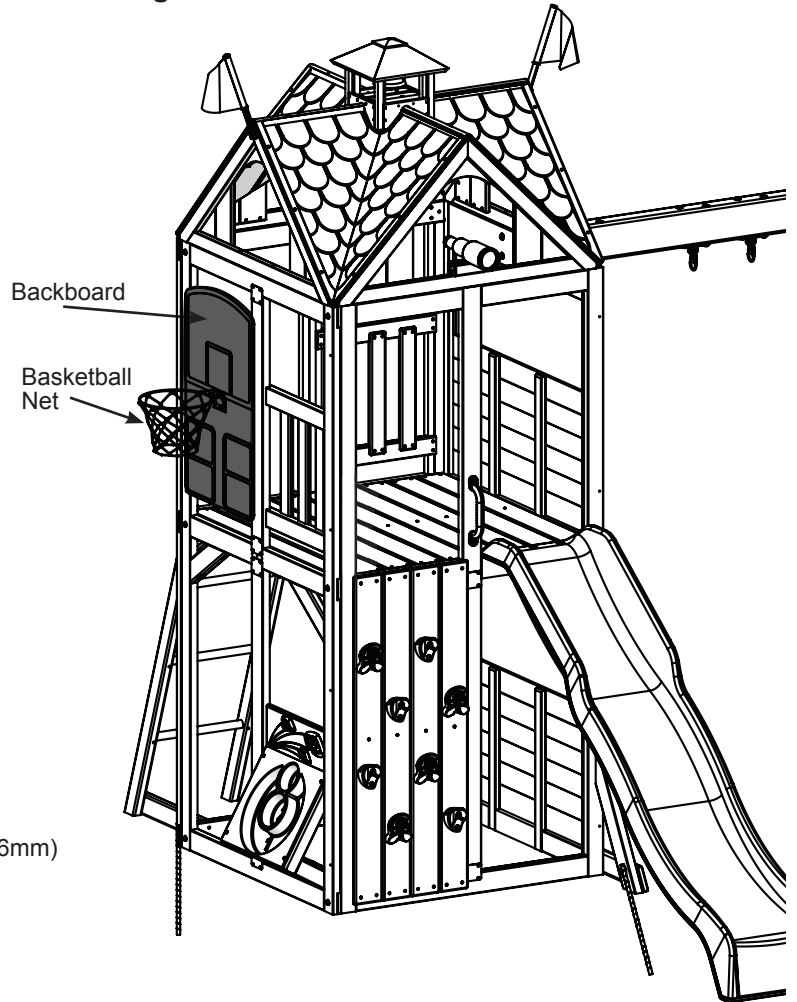
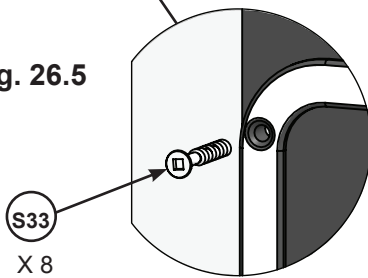


Fig. 26.5



### Hardware

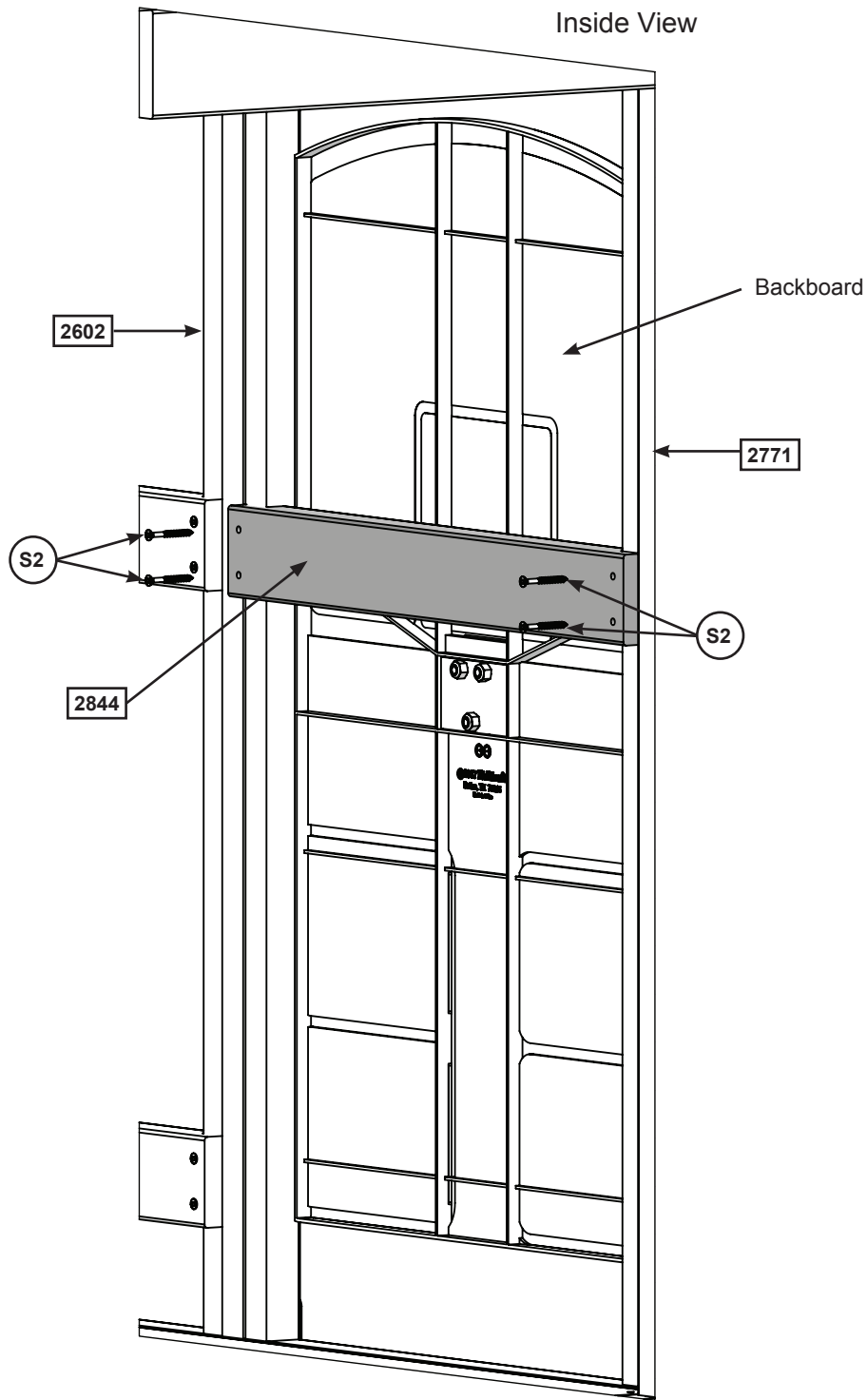
8 x (S33) #8 x 1" Wood Screw

# Step 26: Install Basketball Net

## Part 3

D: From inside the fort place 1 (2844) Horizontal behind the Backboard as shown in fig. 26.6 and attach to (2771) Post and (2602) Upper Jamb using 4 (S2) #8 x 1-1/2" Wood Screws. (fig. 26.6)

Fig. 26.6



### Wood Parts

1 x **2844** Horizontal 31.8 x 63.5 x 479.4mm

### Hardware

4 x **S2** #8 x 1-1/2" Wood Screw

# Step 27: Assemble Bean Bag Toss Part 1



**A:** Place 1 (2838) Leg flush to 1 (2837) Diagonal as shown, note the board orientation. Pre-drill holes in (2838) Leg using a 1/8" (3.2mm) drill bit and attach (2837) Diagonal using 2 (S4) #8 x 3" Wood Screws. Repeat step to make a second assembly. (fig. 27.1)

**B:** In the location shown in (fig 27.3), place leg assemblies so that they sit on top of the bottom frame and to the inside of the Post and Jamb making sure that all edges are flush. Attach (2837) Diagonals using 1 Hex Bolt (with flat washer) per side and attach each (2838) Leg using 2 (S11) #8 x 2" Wood Screws per side. (fig. 27.2 & 27.3)

Fig. 27.1

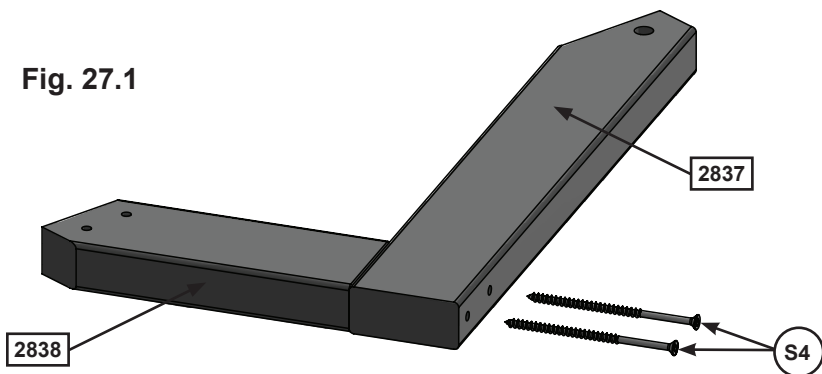


Fig. 27.2

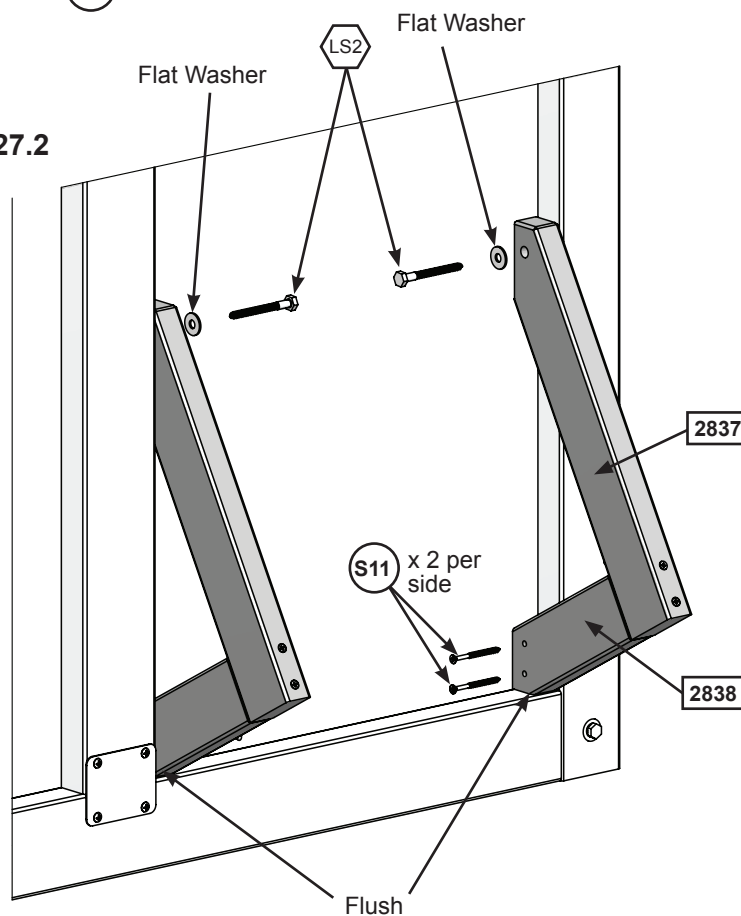
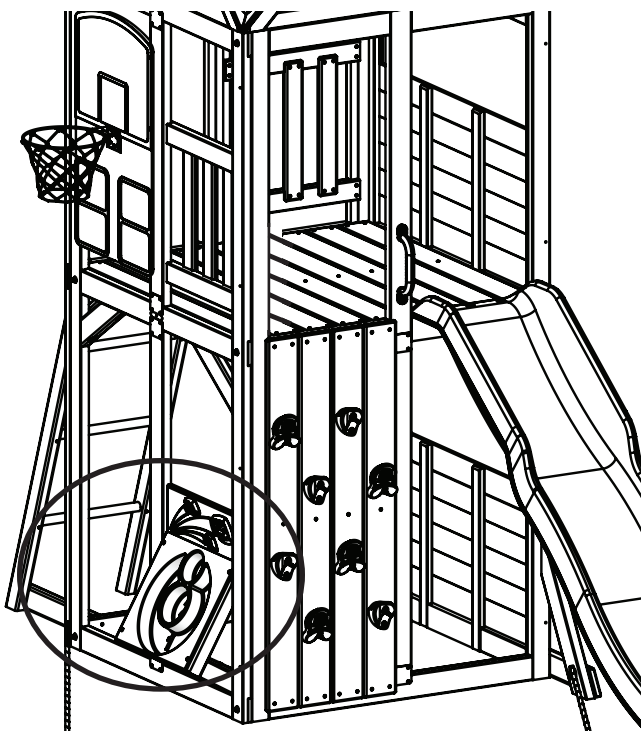


Fig. 27.3



### Wood Parts

- 2 x 2837 Diagonal 25.4 x 57.2 x 355.6mm
- 2 x 2838 Leg 25.4 x 57.2 x 164.8mm

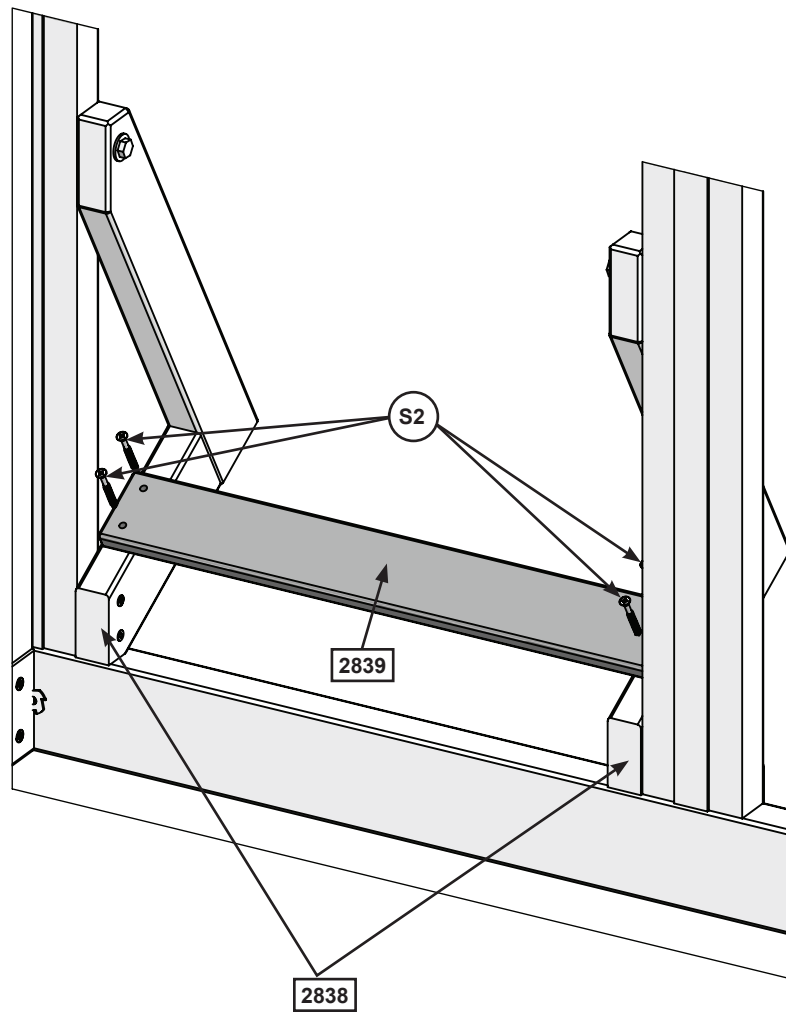
### Hardware

- 2 x LS2 Lag Screw 1/4 x 2-1/2" (with flat washer)
- 4 x S11 #8 x 2" Wood Screw
- 4 x S4 #8 x 3" Wood Screw

## Step 27: Assemble Bean Bag Toss Part 2

C: Place 1 (2839) Bottom so that it's centered across the inside of the (2838) Legs. Attach using 2 (S2) #8 x 1-1/2" Wood Screws per side.

Fig. 27.3



### Wood Parts

1 x 2839 Bottom 12.7 x 57.2 x 428.6mm

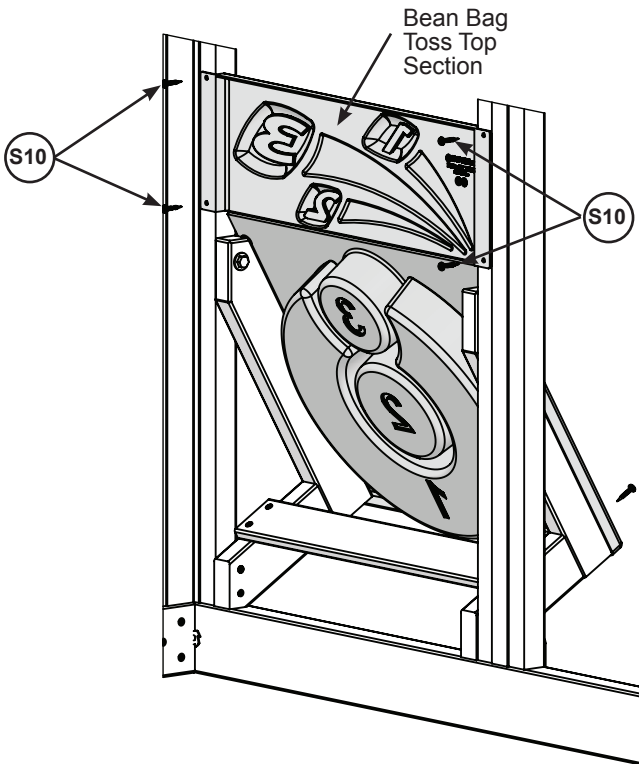
### Hardware

4 x S2 #8 x 1-1/2" Wood Screw

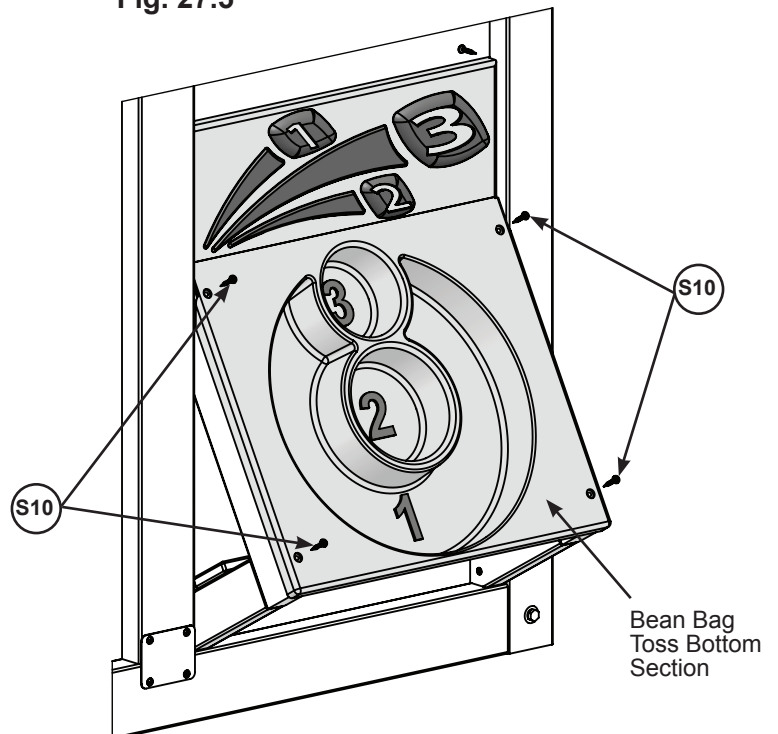
# Step 27: Assemble Bean Bag Toss Part 3

**D:** Place Bean Bag Toss so that the top section will attach from inside the Fort and the bottom section fits over the leg assemblies. Attach top section from the inside using 4 (S10)#8 x 1" Pan Screws and bottom section from the outside using 4 (S10) #8 x 1" Pan Screws. (fig. 27.4 and 27.5)

**Fig. 27.4**  
Inside View



**Fig. 27.5**



### Hardware

8 x (S10) #8 x 1 Pan Screw

### Wood Parts

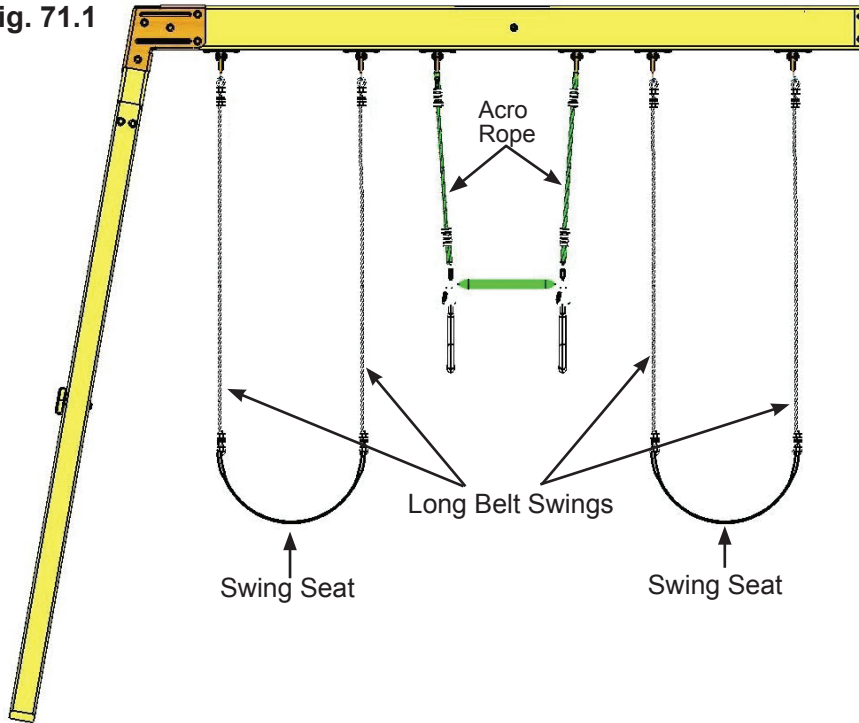
1 x Bean Bag Toss

# Step 71: Attach Swings

**A:** Using 1 Threaded Quick Link per rope, join the Acro Rope & Chain to the Acro Bar. Using another Threaded Quick Link, attach the Acro Handle to the Acro Bar. Make sure to close the Threaded Quick Links tightly using an adjustable wrench.(Fig. 71.3 & 71.4)

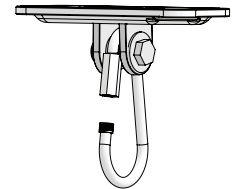
**B:** Attach 2 Long Belt Swings and Acro Swing to the Swing Hangers.(Fig. 71.1 & 71.2)

**Fig. 71.1**



**Fig. 71.2**

Note: Attach swing and acro chains to Threaded Quick Links, tighten with an adjustable wrench.

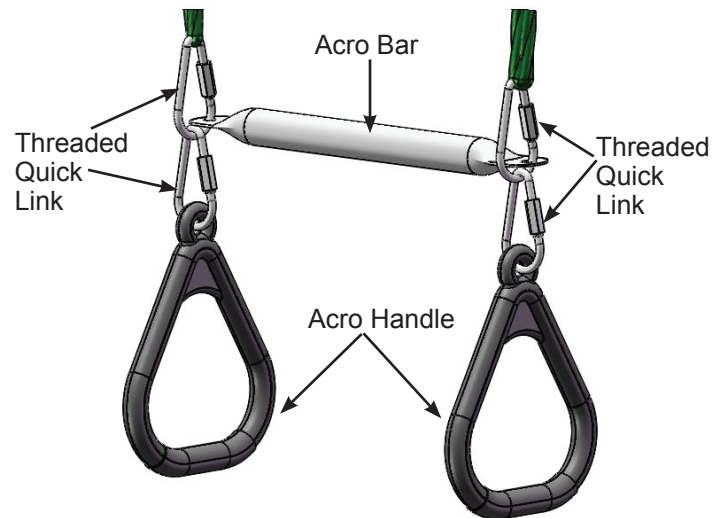


**Fig. 71.3**



Tighten Threaded Link using adjustable wrench

**Fig. 71.4**



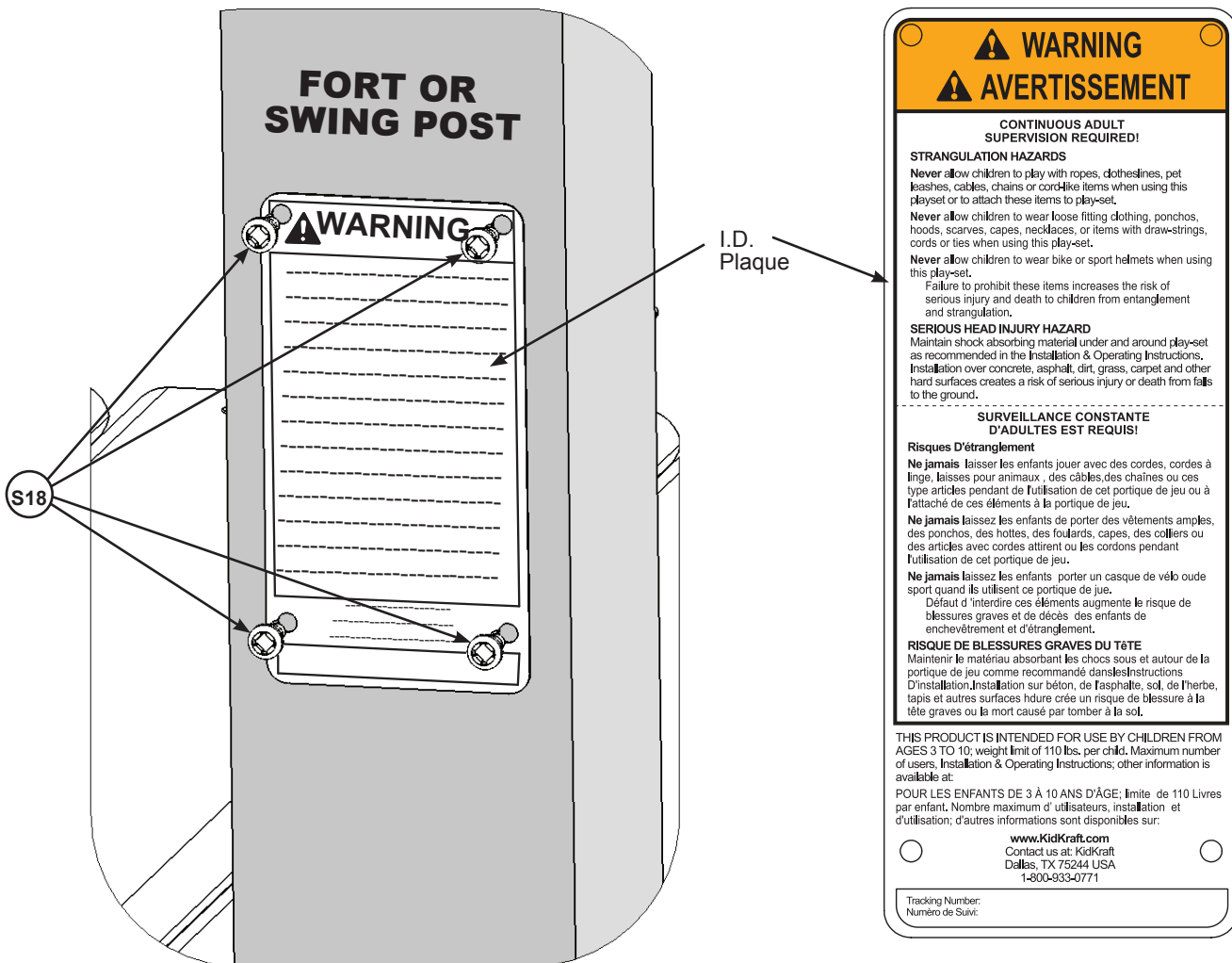
**Other Parts**

- 1 x Acro Bar
- 2 x Acro Handle
- 2 x Long Belt Swing (w/welded chain)
- 1 x Acro Rope & Chain (2 pk)
- 1 x Quick Link with Thread (4pk)

# Final Step: Attach I.D. Plaque


## ATTACH THIS WARNING & I.D. PLAQUE TO A PROMINENT LOCATION ON YOUR PLAY EQUIPMENT! (Fort or Swing Post)

This provides warnings concerning safety and important contact information. A Tracking Number is provided to allow you to get critical information or order replacement parts for this specific model.



Attach with screws provided to a location on your set that is easily seen and read by a supervising adult.

### Hardware

4 x  #6 x 1" Wood Screw

### Other Parts

1 x KidKraft I.D. Plaque









KIDKRAFT  
Consumer Registration Card

First Name Initial Last Name

Street Apt. No.

City State/Province ZIP/Postal Code

Country Telephone Number

E-Mail Address

Model Name Model Number (Box Labels)

Serial Number (on ID Plaque)

Date Purchase Purchased From

MM / DD / YY

How would you rate this product for quality?  
 Excellent  Very Good  Average  Below Average  Poor

How would you rate this product for ease of assembly?  
 Excellent  Very Good  Average  Below Average  Poor

How would you rate our instructions?  
 Excellent  Very Good  Average  Below Average  Poor

How would you rate the quality of packaging?  
 Excellent  Very Good  Average  Below Average  Poor

Would you recommend the purchase of our products to friends and family?  
 Yes  No

Comments:

**MAIL TO:**  
KidKraft  
4630 Olin Road  
Dallas, TX 75244  
United States  
Attention: Customer Service

Fill out your registration card online at  
<https://prdregistration.kidkraft.com/>

KidKraft would like to say Thank You for  
your time and feedback.



CUT ALONG LINE

