



WASHBURN LED OUTDOOR ASSEMBLY/INSTALLATION INSTRUCTIONS

Item #587212: WASHBURN LED OUTDOOR CM

Item #587212-BLK: WASHBURN LED OUTDOOR MATTE BLACK

Please read carefully and save these instructions, as you may need them at a later date.

CAUTION

WARNING: Risk of Fire. Min 75°C supply conductors. Consult a qualified electrician to ensure correct branch circuit conductor.

Turn off the main power at the circuit breaker before installing the fixture, in order to prevent possible shock.

GENERAL

All electrical connections must be in accordance with local and National Electrical Code (N.E.C.) standards. If you are unfamiliar with proper electrical wiring connections obtain the services of a qualified electrician.

Remove the fixture and the mounting package from the box and make sure that no parts are missing by referencing the illustrations on the installation instructions.

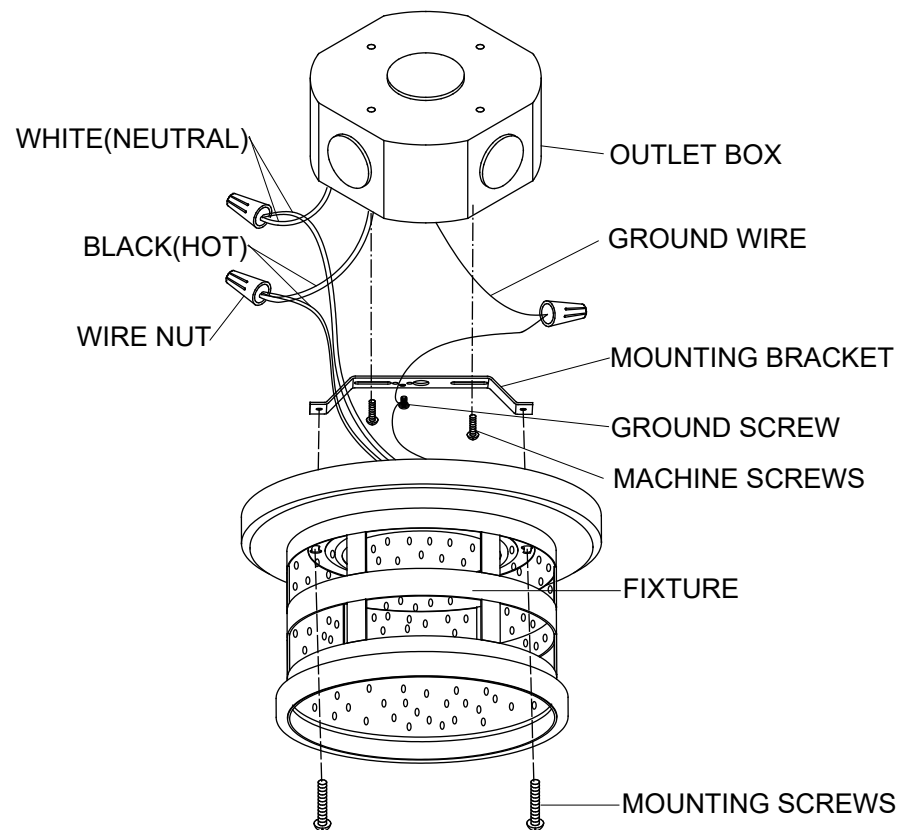
ASSEMBLY AND INSTALLATION

Turn off the power at fuse or circuit breaker.

1. Attach the two MOUNTING SCREWS to the MOUNTING BAR.
2. Attach the MOUNTING BRACKET to the OUTLET BOX with the MACHINE SCREWS.
3. Make wire connections with WIRE NUTS:
 - A - Connect the BLACK wire from Fixture to the black supply wire.
 - B - Connect the WHITE wire from Fixture to the white supply wire.
 - C - Attach the fixture GROUND WIRE to the MOUNTING BRACKET with the green GROUND SCREW.Then connect it to the supply ground wire with a WIRE NUT. Carefully tuck wires back into the OUTLET BOX.
4. Attach the FIXTURE to the MOUNTING BRACKET by inserting two SCREWS and rotating the FIXTURE until it locks in place. Then tighten the MOUNTING SCREWS securely.

Turn on the power at fuse or circuit breaker.

ASSEMBLY AND INSTALLATION (CONT.)



587212

587212-BLK

**IF IN DOUBT ABOUT ELECTRICAL INSTALLATION,
CONSULT A LICENSED ELECTRICIAN.**

Customer Service 1-800-558-8700