



HUMIDITY

3% WALL AND DUCT PROPORTIONAL CONTROLLER TCI SERIES



DESCRIPTION

The **Vector Model TCI Wall and Duct Proportional Controller** is designed for proportional control of humidification and dehumidification equipment in HVAC and energy management systems. The "23" models come with a time clock for advanced programming with 48 hour backup and the "13" models do not. The "H" models have internal relative humidity sensors and the others without "H" in model number must use a remote relative humidity sensor (ordered separately) for RH measurement.

FEATURES

- **Humidification and dehumidification control**
- **External temperature input for set point setback**
- **Programmable user interface**
- **Optional time clock**
- **Two analog outputs and one digital output**
- **Easy to read display**



TCI



9

HUMIDITY

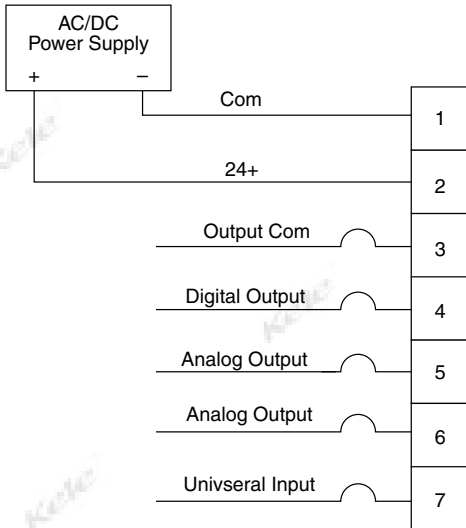
SPECIFICATIONS

Accuracy	±3% RH (20%-80%)(H models)	Operating Temperature	32° to 122°F (-25° to 50°C)
Supply Voltage	24 VAC ±10% 3 VA, 50-60 Hz; 24 VDC, 125 mA	Enclosure Rating	ABS Plastic
Signal Output		Sensing Technology	Capacitive sensor
Analog	0/2-10 VDC or 0/4-20 mA @250Ω	Wiring Terminations	Terminal block (12 to 24 AWG)
Digital	24 VAC/VDC @ 2 A	Dimensions	4.4" H x 2.9" W x 1.8" D (11.2 x 7.3 x 4.7 cm)
Signal Input (U models)		Approvals	CE
13	0/2-10 VDC or 0/4-20 mA @ 240Ω	Weight	
23	0/2-10 VDC or 0/4-20 mA @ 240Ω & 10kΩ Type II thermistor (24)	13	0.58 lb (0.26 Kg)
Measurement Range	0 to 100 % RH	23	0.6 LB (0.27 kG)
Operating Humidity	0% to 95% non-condensing	Warranty	2 years



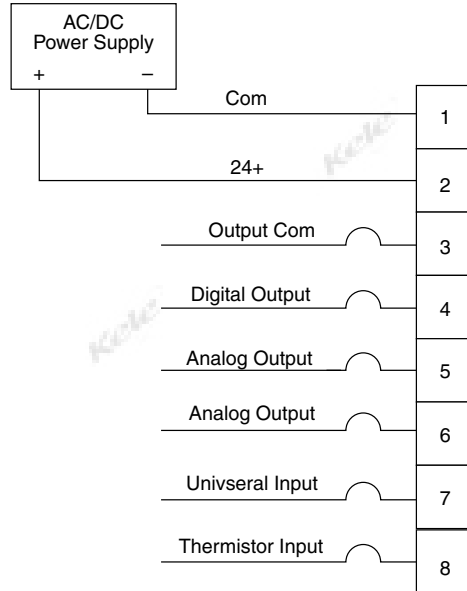
3% WALL AND DUCT PROPORTIONAL CONTROLLER TCI SERIES

WIRING



13 Models

Logic:
 13 models with "H" in model number
 #7 is Remote Temperature
 13 models with "U" in model number
 #7 is Remote Humidity



23 Models

Logic:
 23 models with "H" in model number
 #7 is Remote Humidity or Temperature
 #8 is Temperature only
 23 models with "U" in model number
 #7 is Remote Humidity
 #8 is Temperature only

ORDERING INFORMATION

MODEL	DESCRIPTION
TCI-W23-U-H-W24	3% Wall mounted Proportional Humidistat with Display for Humidification with clock
TCI-W23-U-H-W25	3% Wall mounted Proportional Humidistat with Display for Dehumidification with clock
TCI-W13-U-H-W24	3% Wall mounted Proportional Humidistat with Display for Humidification
TCI-W13-U-H-W25	3% Wall mounted Proportional Humidistat with Display for Dehumidification
TCI-W23-U-W26	Remote RH Proportional Humidistat with Display for Humidification with clock
TCI-W23-U-W27	Remote RH Proportional Humidistat with Display for Dehumidification with clock
TCI-W13-U-W26	Remote RH3% Proportional Humidistat with Display for Humidification
TCI-W13-U-W27	Remote RH3% Proportional Humidistat with Display for Dehumidification

RELATED PRODUCTS		PAGE
HD30K	AMC-2 Conduit fitting, 1/2 in NPT for SDC-H	530
KHD3	3% Duct mount humidity transmitter, 4-20 mA output	528
D CPA-1.2	Power supply, 120 VAC IN to 24 VAC/24 VDC OUT	994
691-K0A	Control transformer, 120:24 VAC, 40 VA, Class 2	979
D CP-1.5-W	Power supply, 24 VAC IN to 24 VDC OUT	995
ST-D24-XH	Duct 10KΩ Tpye II thermistor with handi box	