

# Assembly Guide



**Bush**  
FURNITURE

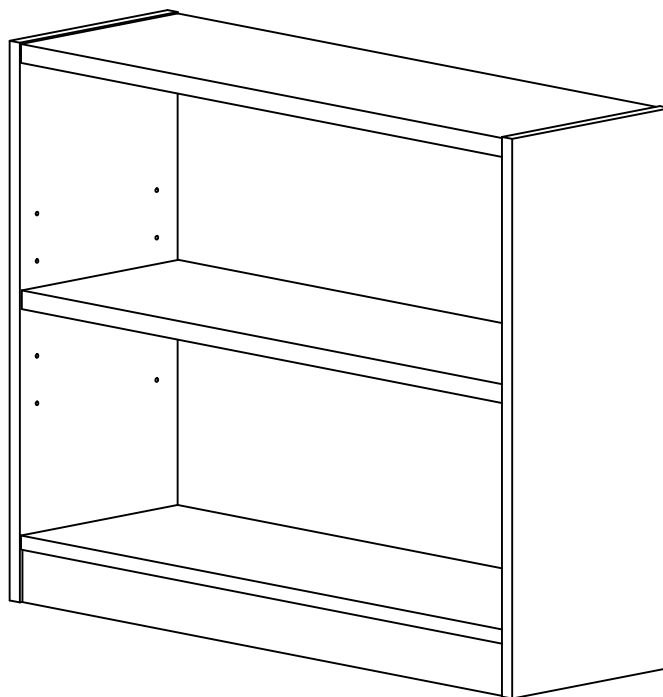


If you're having any difficulty during assembly of this product, don't hesitate to call us at **1-800-950-4782.**

Our customer service experts are trained to provide step-by-step instruction and can easily replace any missing or damaged parts.

**Representatives are available Monday-Friday from 8:30 a.m. to 7:30 p.m. (ET)**

## 2 Shelf Bookcase



Lot Code #

Instruction Sheet Number A213021A

Keep manual for future reference.

## For best results, keep these tips in mind:

- ① We know you want to finish this assembly as quickly as possible, but trust us: you'll have a better experience if you take it one step at a time.
- ② Give yourself some room to work near where you want the fully assembled product.
- ③ If your floor isn't carpeted, assemble this product on the empty carton to avoid scratching.
- ④ Do you have a friend who owes you a favor? Some steps may go a little easier with a second set of hands.

### DOs

- ✔ Use a #2 Phillips head screwdriver (or other handheld tools as indicated)
- ✔ Wear safety glasses at all times during assembly
- ✔ Carefully follow the instructions in this guide and complete all steps in order
- ✔ Give us a call if you're having trouble with a particularly tricky step

### DON'Ts

- ✘ We know power tools are quick and easy, but you shouldn't use them when assembling this product (unless otherwise specified)
- ✘ Never move your furniture with items inside or resting on the surface
- ✘ Do not attempt to use this product before all steps have been completed



## Watch assembly videos right on your phone or computer!



Some steps include QR codes that link to helpful videos. Watch out for the icon on the left! Simply open up your smartphone camera to scan the code.

*(Users of older smartphones may need to install a QR Reader.)*

### SCAN HERE



FOR VIDEOS

Or visit <https://www.bushfurniture.com/CustomerService/HowtoAssemble.aspx>

# IMPORTANT SAFETY INFORMATION



## PLEASE READ WARNINGS

Improper use can cause safety hazards, or damage to your furniture and household items.

Warning	Do	Don't	Why it's important
<b>Serious injury may occur.</b>	<ul style="list-style-type: none"><li>Assemble following all instructions using all indicated parts and hardware provided.</li><li>Install every indicated nail and/or screw. Verify furniture is stable on it's own.</li><li>Place heaviest items in the lower drawers or shelves.</li><li>Remove items that might tempt kids to climb, such as toys and remote controls from the top and upper shelves of furniture.</li></ul>	<ul style="list-style-type: none"><li>Do not move unit when loaded.</li><li>Do not load with a television or other heavy equipment.</li><li>Do not exceed the maximum load limits stated in the instructions.</li><li>Do not allow children to stand, climb, or hang on furniture.</li></ul>	Improper assembly, use or loading can lead to product instability, tip-over or collapse.

Advertencia	Hacer	No	Por qué es importante
<b>Se pueden producir lesiones graves.</b>	<ul style="list-style-type: none"><li>Ensamble siguiendo todas las instrucciones utilizando todas las piezas y ferretería indicados provistos.</li><li>Instale todos los clavos y / o tornillos indicados.</li><li>Verifique que los muebles sean estables por sí mismos.</li><li>Coloque los artículos más pesados en los cajones o estantes inferiores.</li><li>Retire los artículos que puedan tentar a los niños a trepar, como juguetes y controles remotos de los estantes superiores y superiores de los muebles.</li></ul>	<ul style="list-style-type: none"><li>No mueva la unidad cuando esté cargada.</li><li>No cargue con un televisor u otro equipo pesado.</li><li>No exceda los límites máximos de carga establecidos en las instrucciones.</li><li>No permita que los niños se paren, trepen o cuelguen de muebles.</li></ul>	El ensamblaje, uso o carga inadecuados pueden provocar inestabilidad del producto, vuelco o colapso.

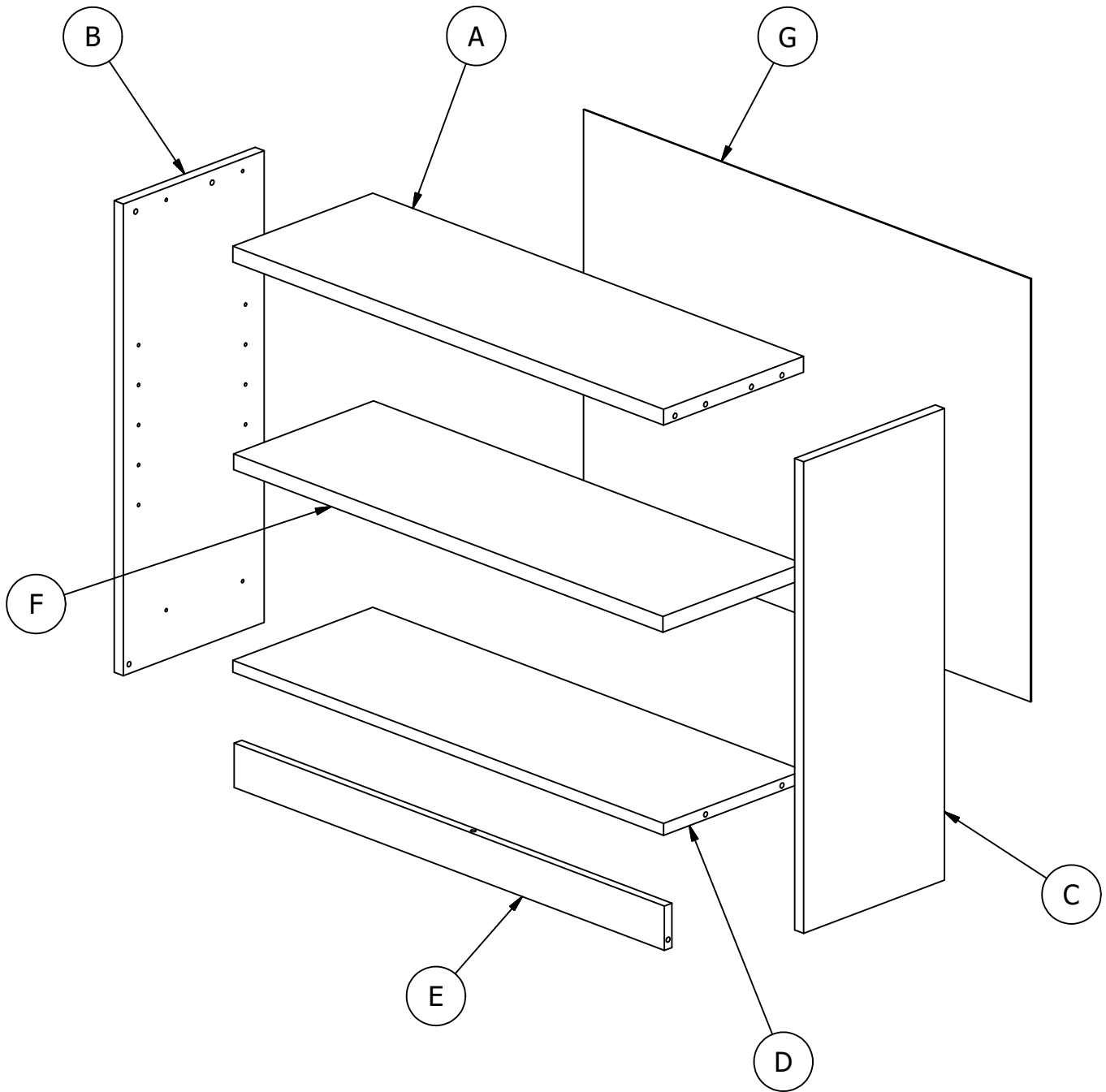
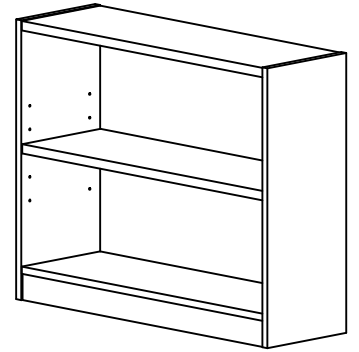
## IMPORTANT SAFETY INFORMATION



# PLEASE READ WARNINGS

Improper use can cause safety hazards, or damage to your furniture and household items.

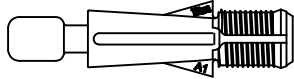
Avertissement	Faire	Ne le fais pas	Pourquoi c'est important
<b>Des blessures graves peuvent survenir.</b>	<ul style="list-style-type: none"><li>• Assemblez en suivant toutes les instructions en utilisant toutes les pièces et le matériel indiqués fournis.</li><li>• Installez tous les clous et / ou vis indiqués.</li><li>• Vérifiez que les meubles sont stables par eux-mêmes.</li><li>• Placez les articles les plus lourds dans les tiroirs ou les étagères inférieurs.</li><li>• Retirez les objets qui pourraient inciter les enfants à grimper, comme les jouets et les télécommandes des étagères supérieure et supérieure des meubles.</li></ul>	<ul style="list-style-type: none"><li>• Ne déplacez pas l'unité lorsqu'elle est chargée.</li><li>• Ne chargez pas avec un téléviseur ou un autre équipement lourd.</li><li>• Ne dépassez pas les limites de charge maximale indiquées dans les instructions.</li><li>• Ne laissez pas les enfants se tenir debout, grimper ou s'accrocher aux meubles.</li></ul>	Un assemblage, une utilisation ou un chargement incorrects peuvent entraîner une instabilité du produit, un renversement ou un effondrement.



Have an assembly question or need a replacement part? Just call  
**1-800-950-4782**, we are here to help.

Fasteners are shown actual size.

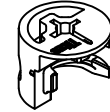
H171556



Quickfit TL4

[ 1 ]

H181468US



KD Cam3000

[ 9 ]

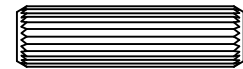
H72988



KD Bolt

[ 8 ]

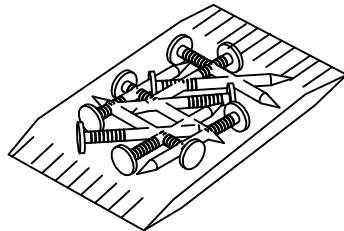
H38169



Wood Dowel 8 x 30

[ 6 ]

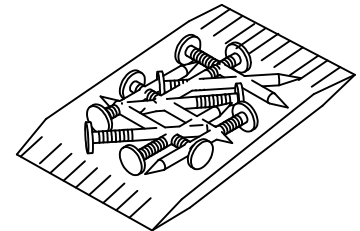
Q75494



Nail Bag (10)

[ 1 ]

Q85389

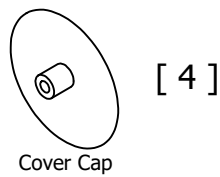
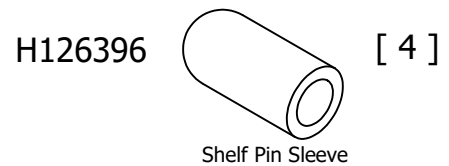
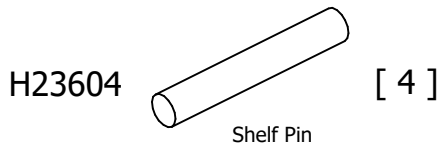


Nail Bag (20)

[ 1 ]

Have an assembly question or need a replacement part? Just call  
**1-800-950-4782**, we are here to help.

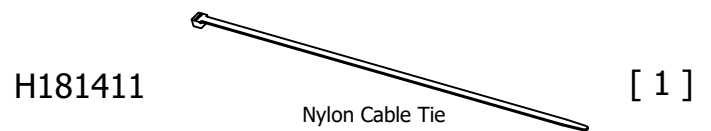
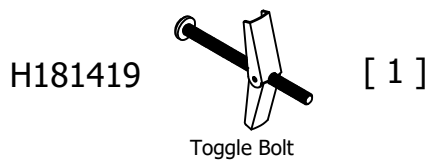
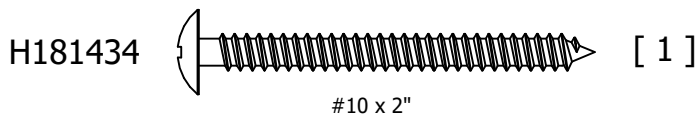
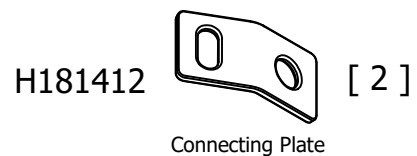
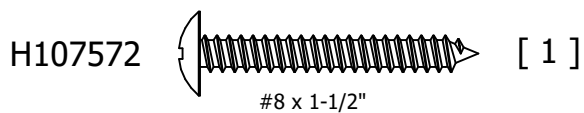
Hardware not to scale.



---

## TIPOVER RESTRAINT HARDWARE

SUGERENCIA SOBRE HARDWARE DE RETENCIÓN  
MATÉRIEL DE RETENUE SUR LE SUPPORT



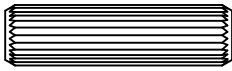
Have an assembly question or need a replacement part? Just call  
**1-800-950-4782**, we are here to help.

# STEP 1

## Prepare Panels

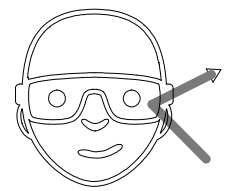
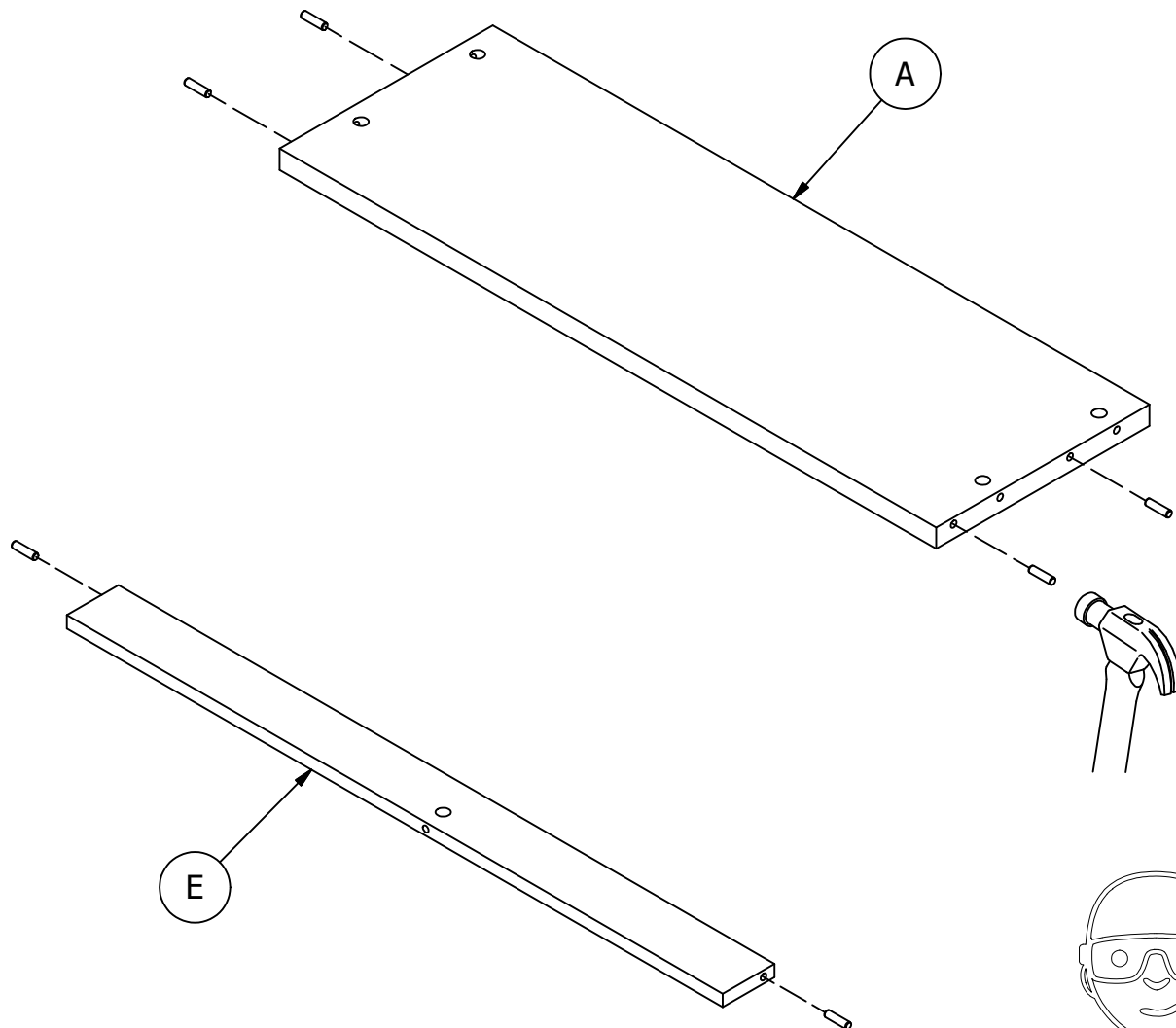
A213021A

H38169



[ 6 ]

Wood Dowel 8 x 30



Safety glasses  
Gafas de seguridad  
Lunettes de protection

Have an assembly question or need a replacement part? Just call  
**1-800-950-4782**, we are here to help.



# STEP 2

# Assemble Panels

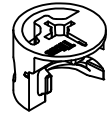
A213021A

Scan QR Code to Watch Video on:



How to Tighten KD Cams

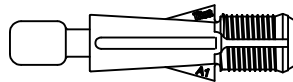
H181468US



[ 1 ]

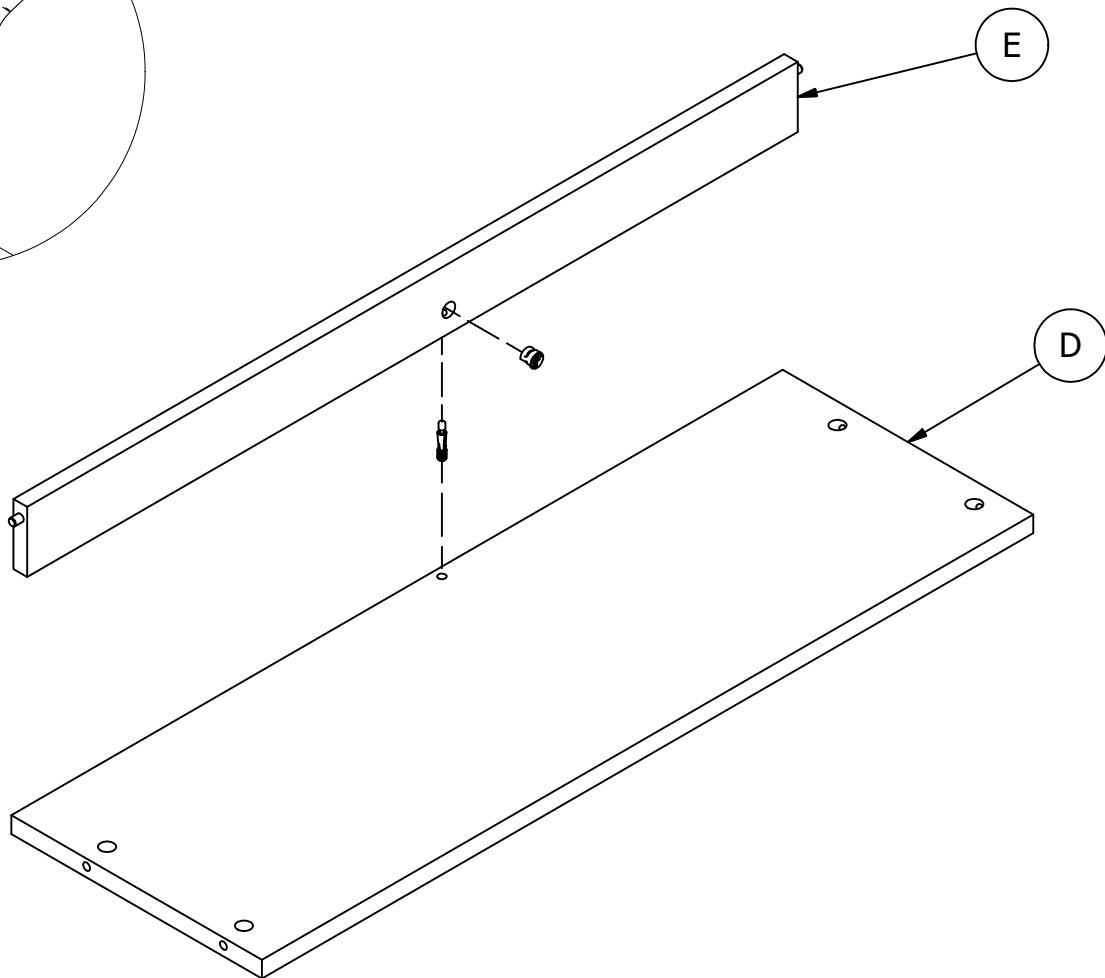
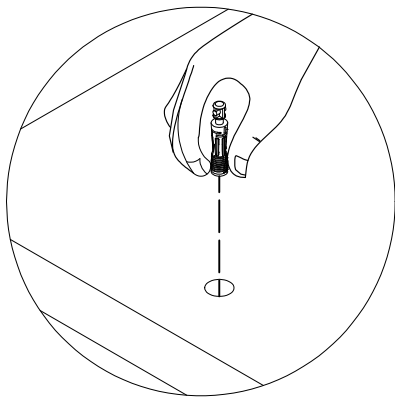
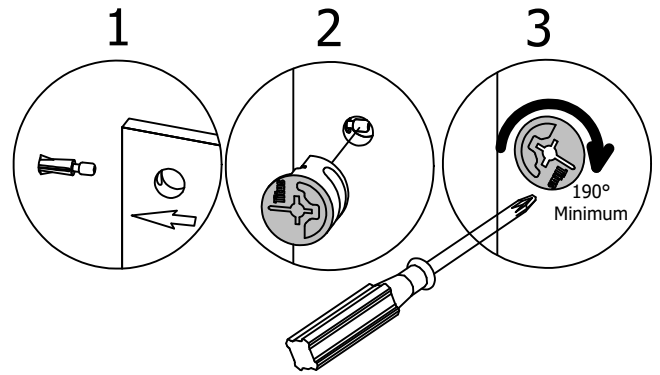
KD Cam3000

H171556



[ 1 ]

Quickfit TL4



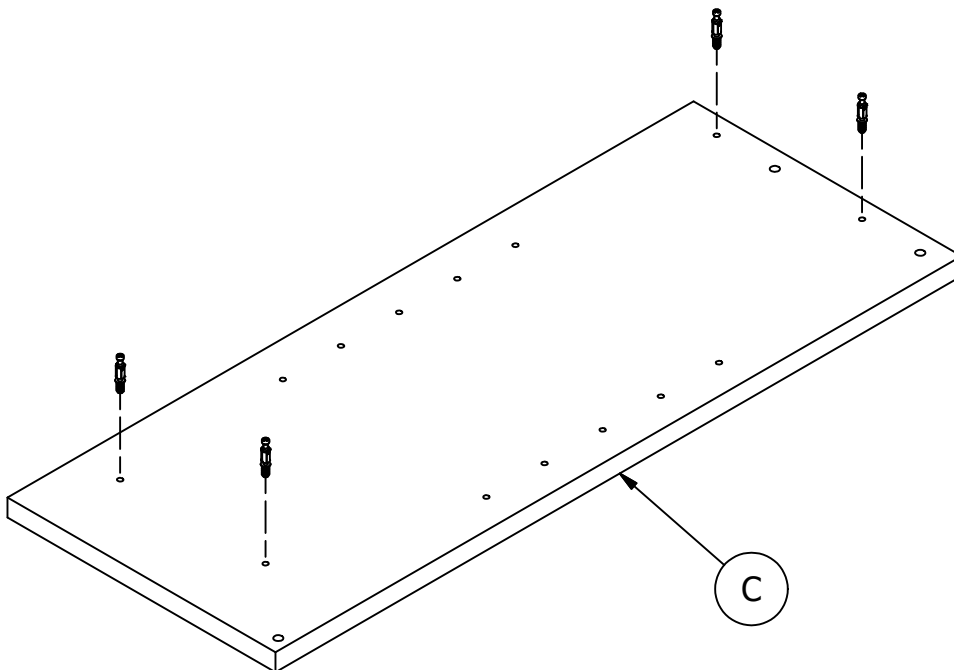
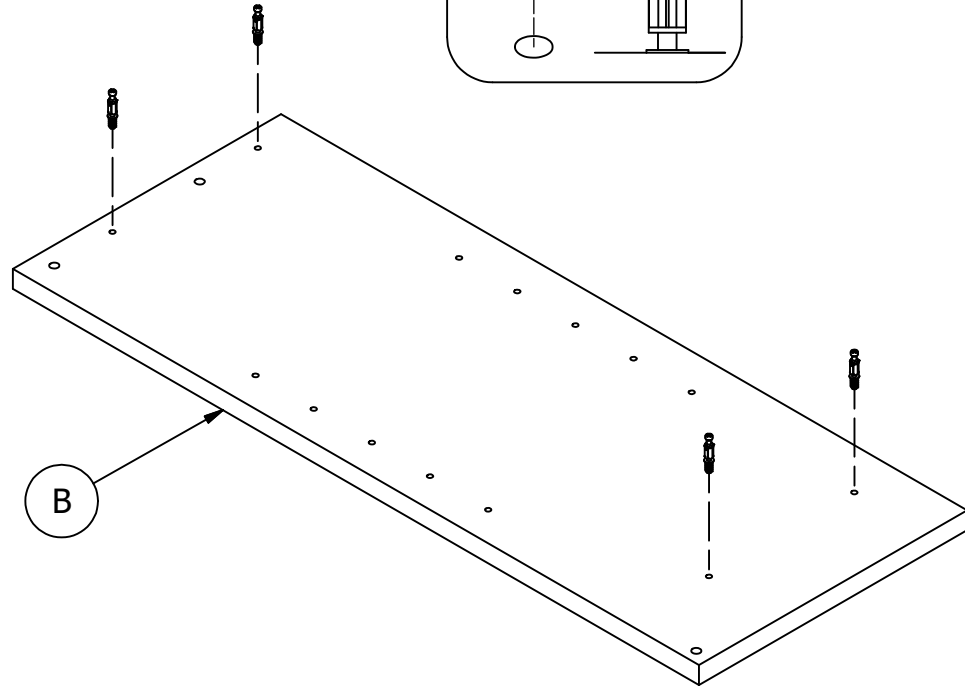
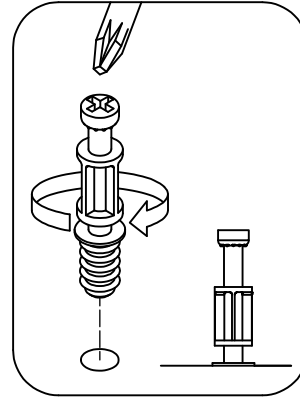
Have an assembly question or need a replacement part? Just call **1-800-950-4782**, we are here to help.

# STEP 3

# Prepare Panels

A213021A

H72988 [ 8 ]  
KD Bolt



Have an assembly question or need a replacement part? Just call  
**1-800-950-4782**, we are here to help.

# STEP 4

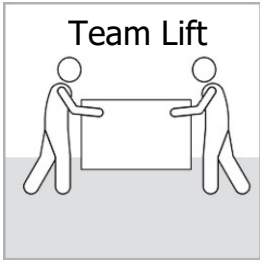
# Assemble Panels

A213021A

Scan QR Code to Watch Video on:



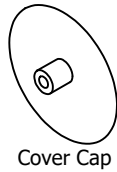
How to Tighten KD Cams



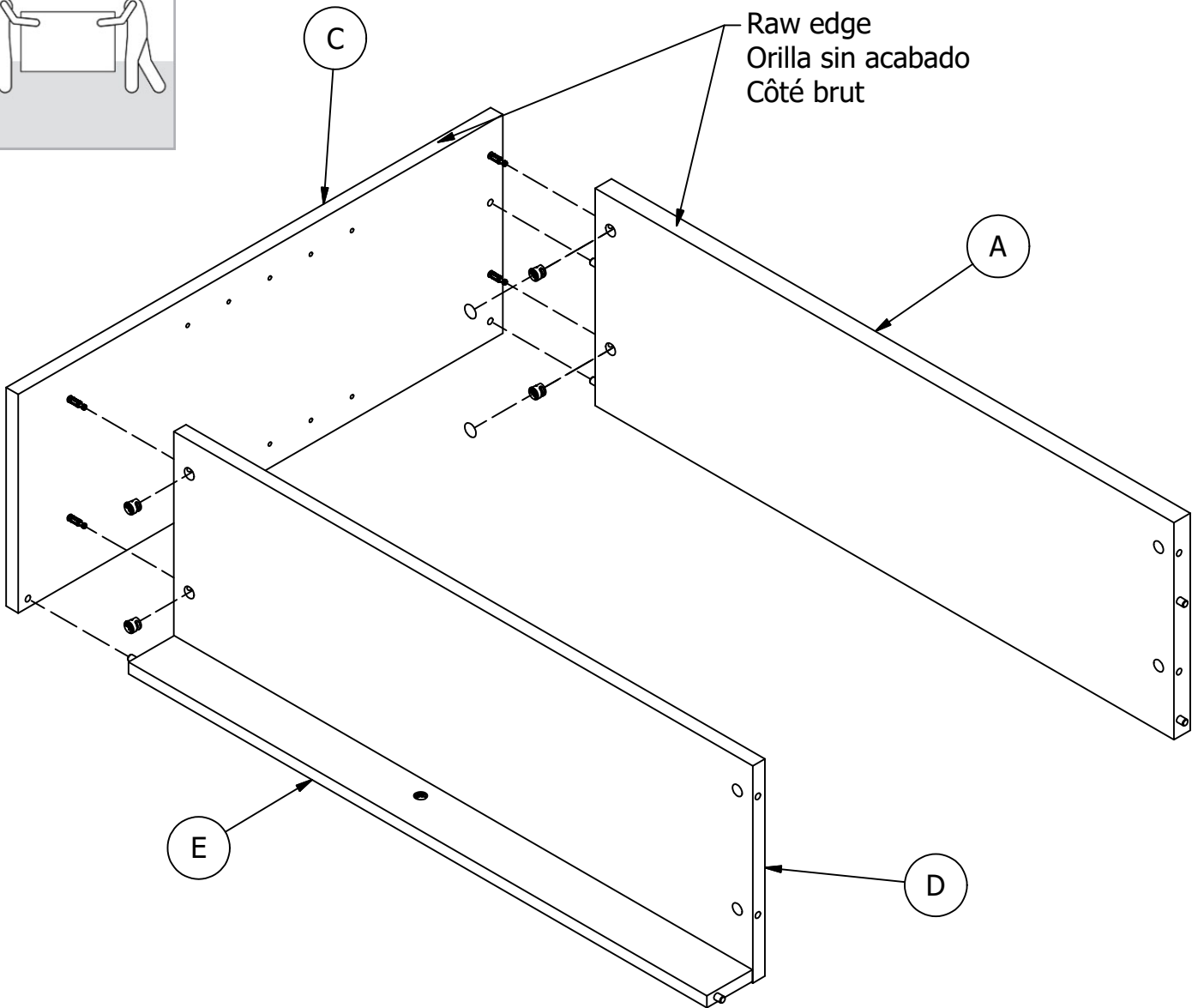
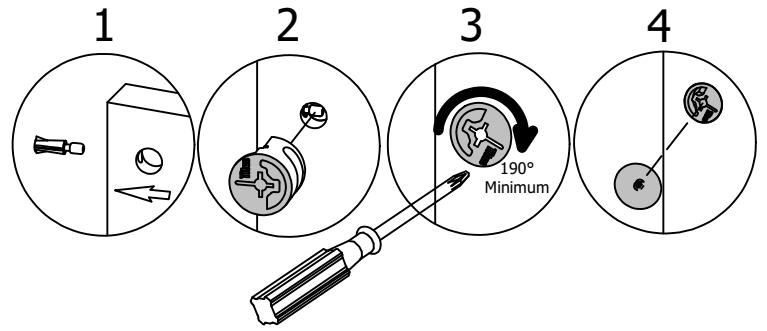
H181468US



[ 4 ]



[ 2 ]



Have an assembly question or need a replacement part? Just call **1-800-950-4782**, we are here to help.

# STEP 5

## Assemble Panels

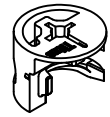
A213021A

Scan QR Code to Watch Video on:



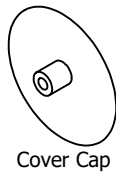
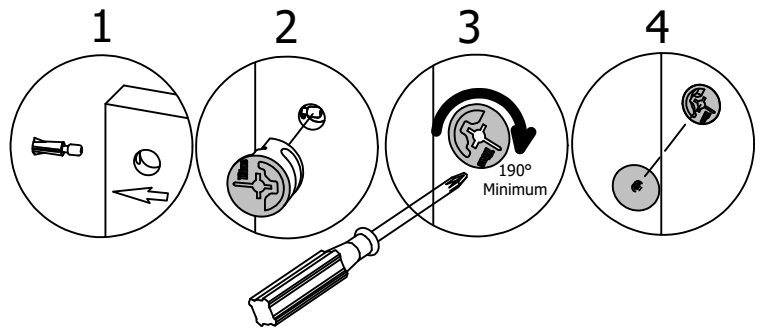
How to Tighten KD Cams

H181468US



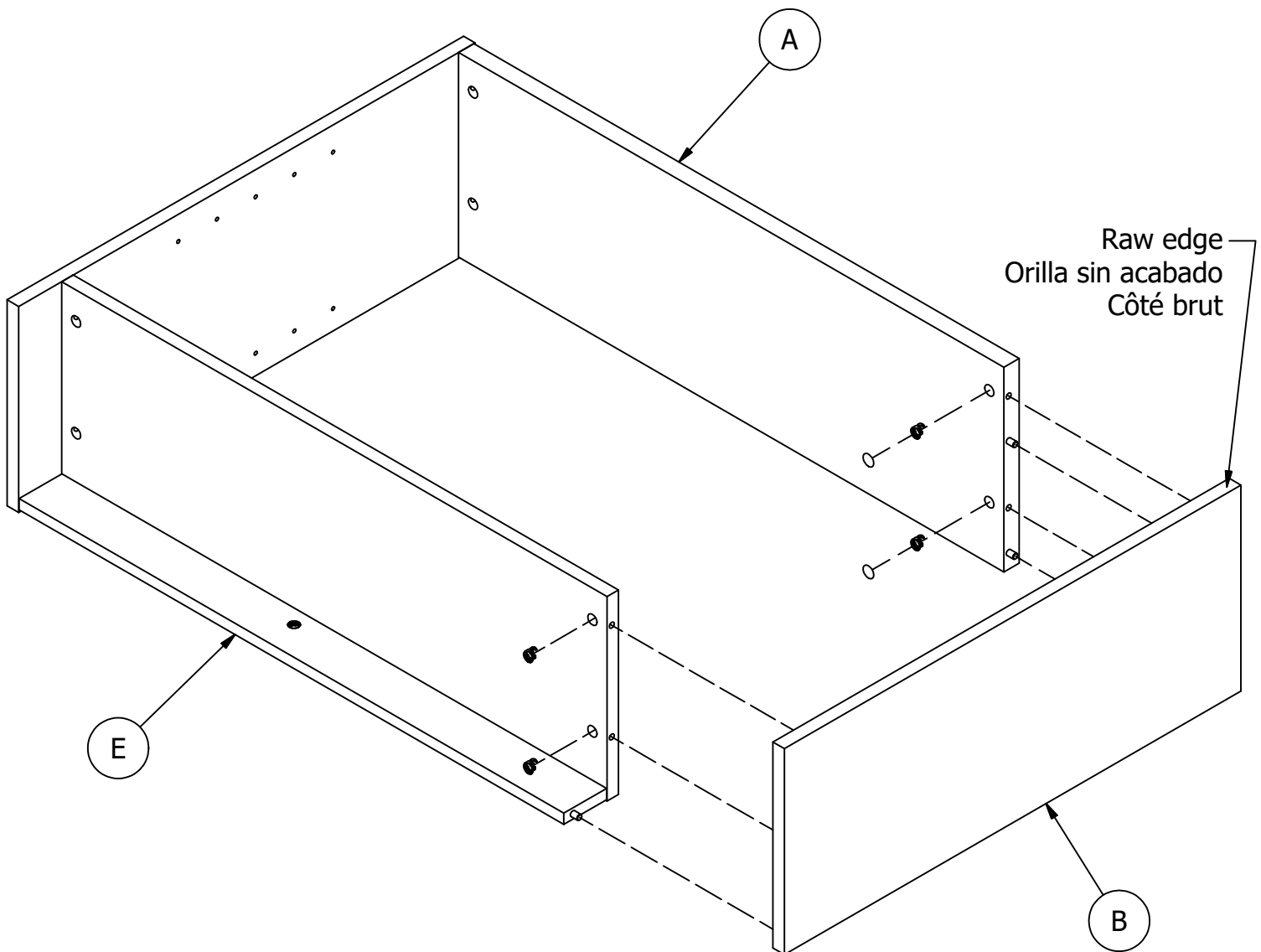
KD Cam3000

[ 4 ]



Cover Cap

[ 2 ]

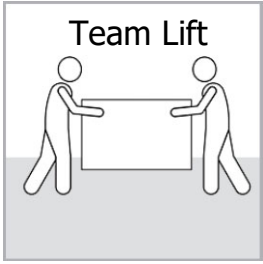


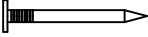
Have an assembly question or need a replacement part? Just call **1-800-950-4782**, we are here to help.

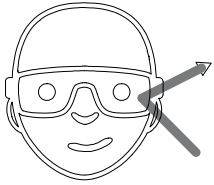
# STEP 6

# Assemble Panels

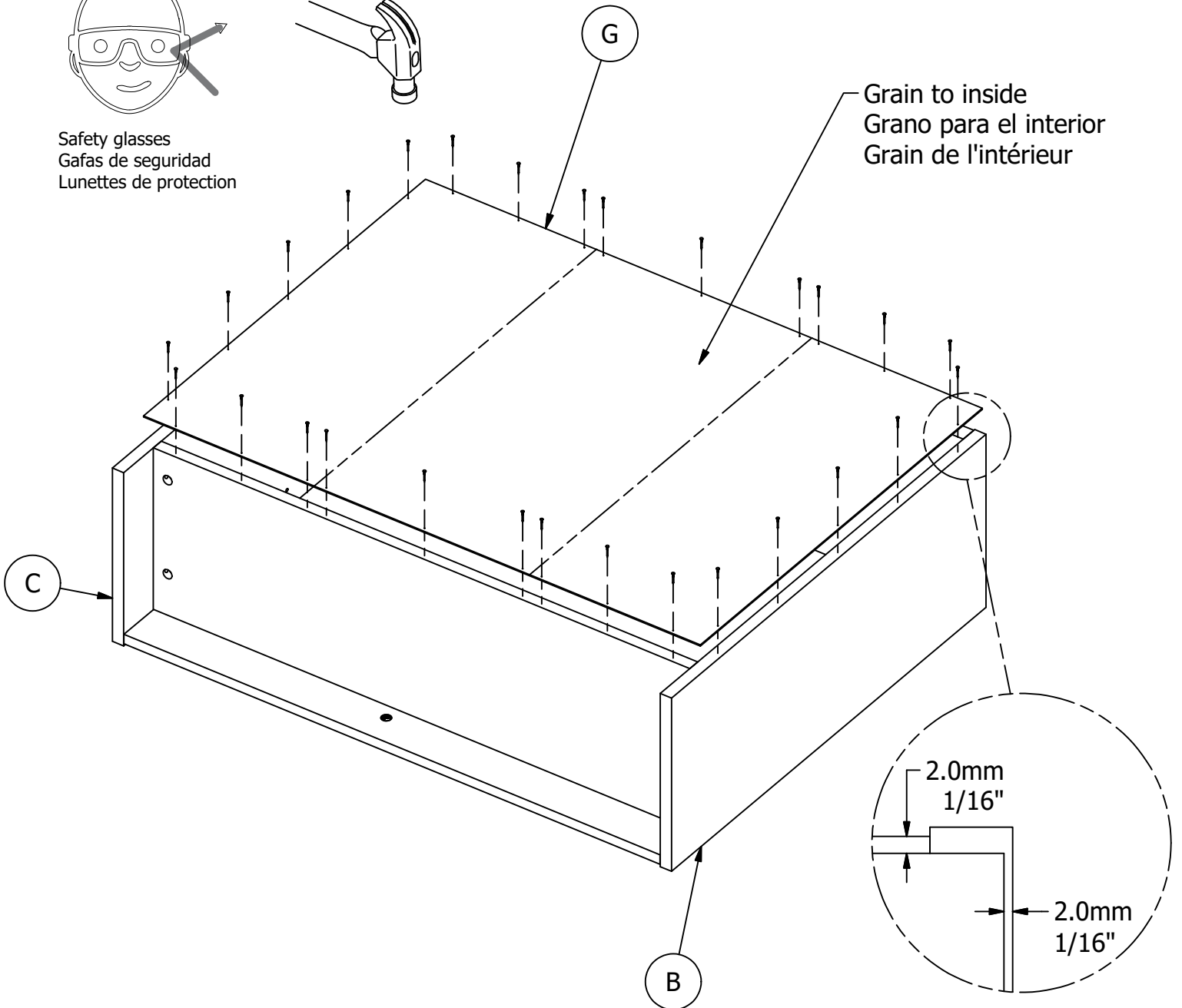
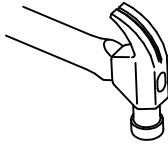
A213021A



H34174  [ 28 ]  
Nail 19mm



Safety glasses  
Gafas de seguridad  
Lunettes de protection



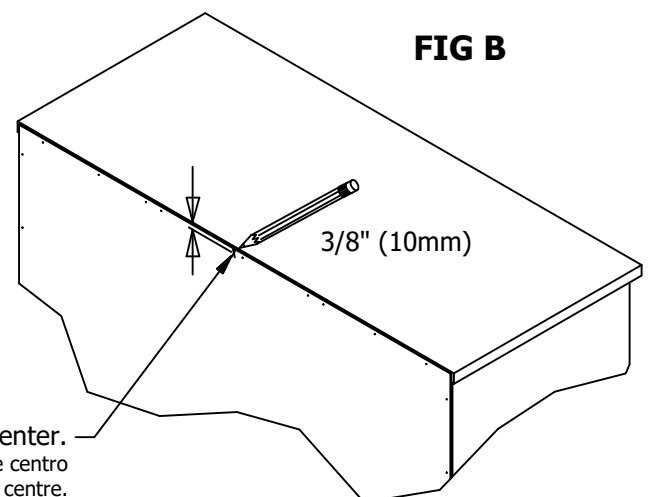
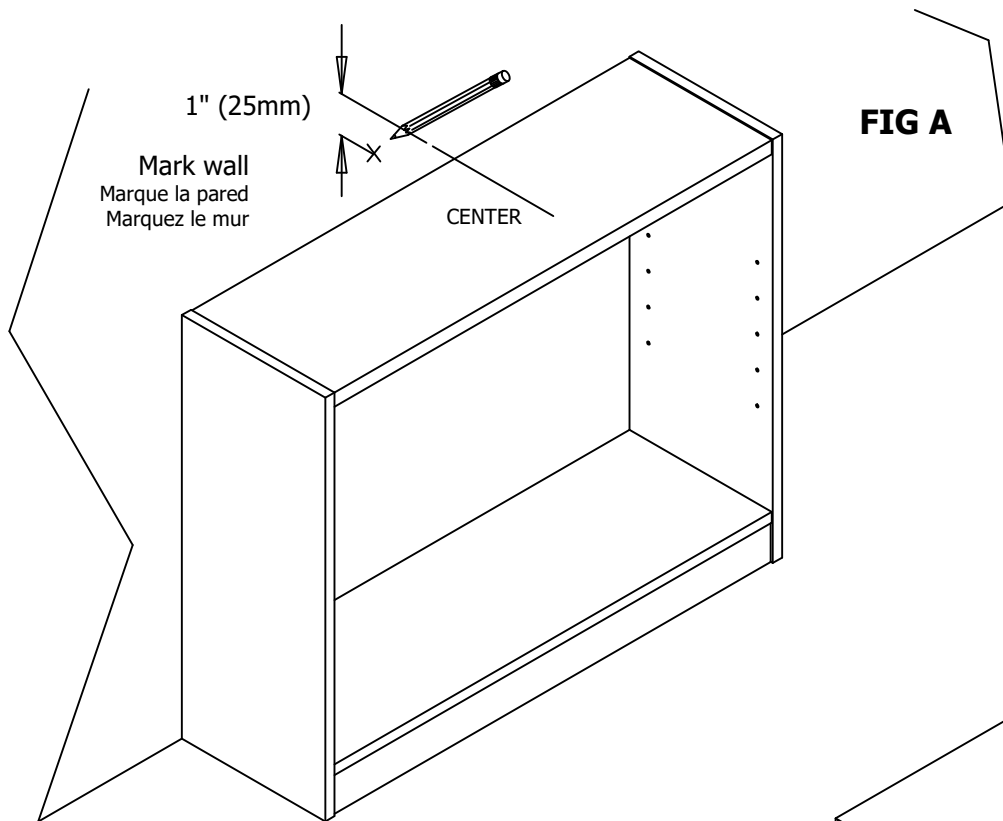
Have an assembly question or need a replacement part? Just call  
**1-800-950-4782**, we are here to help.

Secure unit to the wall with a tip-over restraint.  
 Unidad de seguro a la pared con un sistema de retención de un vuelco.  
 Fixer l'unité au mur avec un dispositif de retenue renversement.

1. Place unit in desired location.
2. Locate wall stud nearest unit center. **FIG A**
3. On wall, mark center of stud location 1" below top of unit. **FIG A**
4. If a wall stud cannot be located mark hollow wall at unit center. **FIG A**
5. On back of unit, mark corresponding location 3/8" below top of unit. **FIG B**

1. Coloque la unidad en el lugar deseado.
2. Localice pie derecho de pared centro de unidad más próxima.
3. En la pared del, marque el centro de la ubicación del montante 1 "abajo la parte superior de la unidad.
4. Si un poste de la pared no se puede localizar marcar pared hueca en el centro de la unidad.
5. En el dorso de la unidad, marque la ubicación 3/8 correspondiente abajo la parte superior de la unidad.

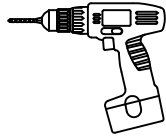
1. Placez l'unité à l'endroit désiré.
2. Localiser centre d'unité la plus proche de la paroi Stud.
3. Sur le mur, centre de emplacement du montant 1 "ci-dessous dessus de l'appareil de la marque.
4. Si un montant de mur ne peut pas être situé marquer mur creux au centre de l'unité.
5. Le dos de l'appareil, marquer l'emplacement 3/8 correspondant ci-dessous dessus de l'appareil.



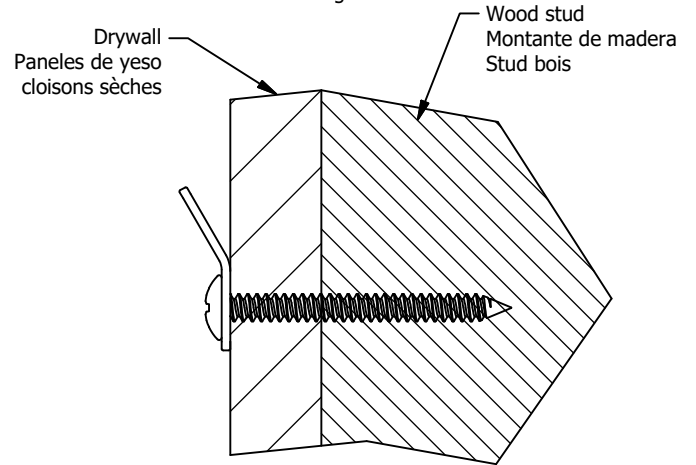
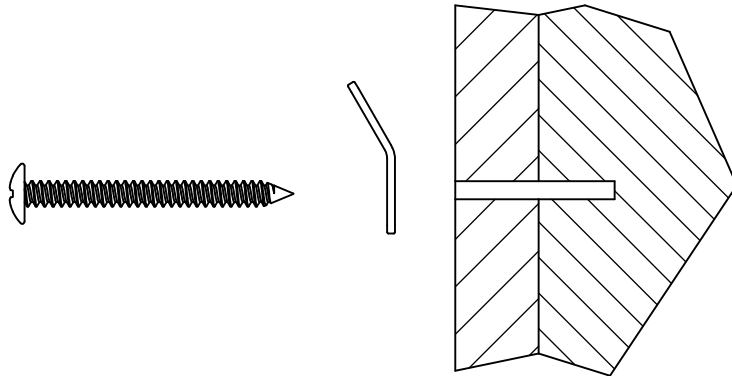
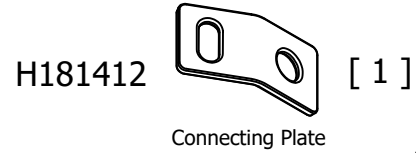
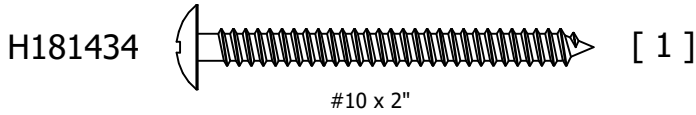
Mark back within 6" (150mm) of center.  
 Marcar de vuelta dentro de 6" (150mm) de centro  
 Mark dans les 6" (150mm) de centre.

Have an assembly question or need a replacement part? Just call  
**1-800-950-4782**, we are here to help.

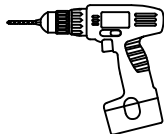
# WALL STUD ATTACHMENT



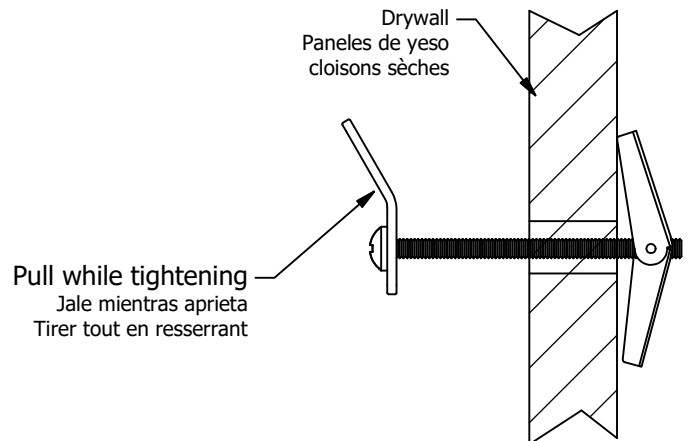
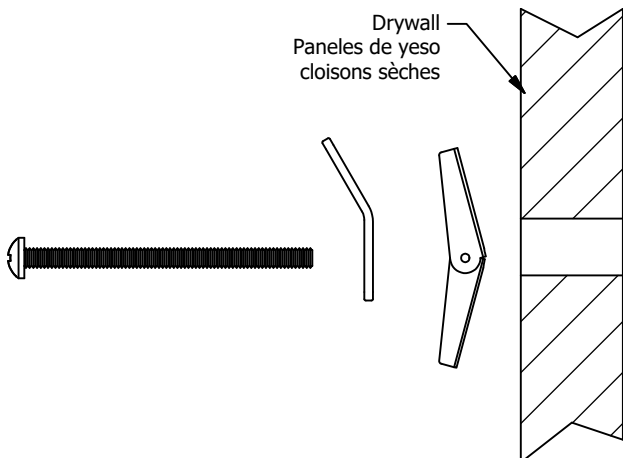
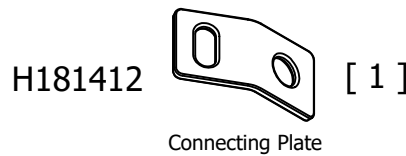
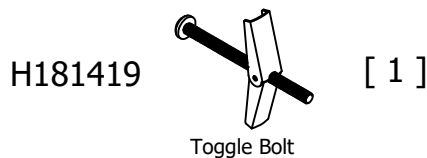
Drill 1/8" hole 2" deep at mark on wall.  
 Taladro 1/8 "agujero 2" de profundidad en la marca en la pared.  
 Percer 1/8 "trou de 2" de profondeur à la marque sur le mur.



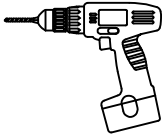
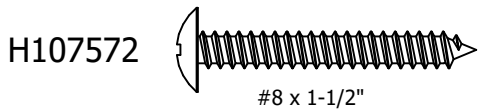
# HOLLOW WALL ATTACHMENT



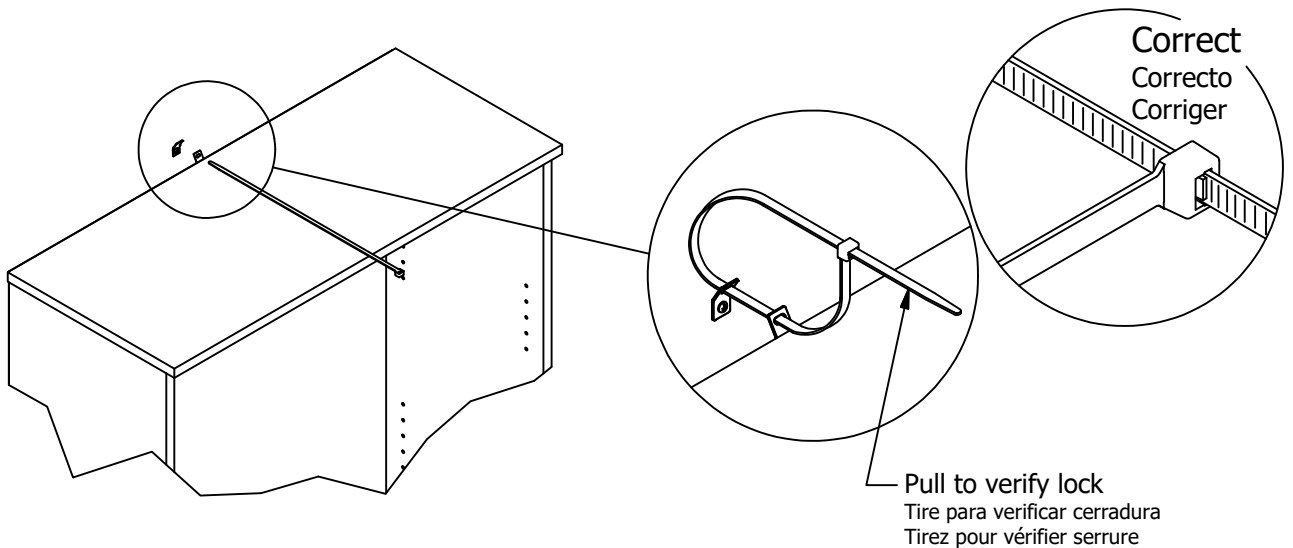
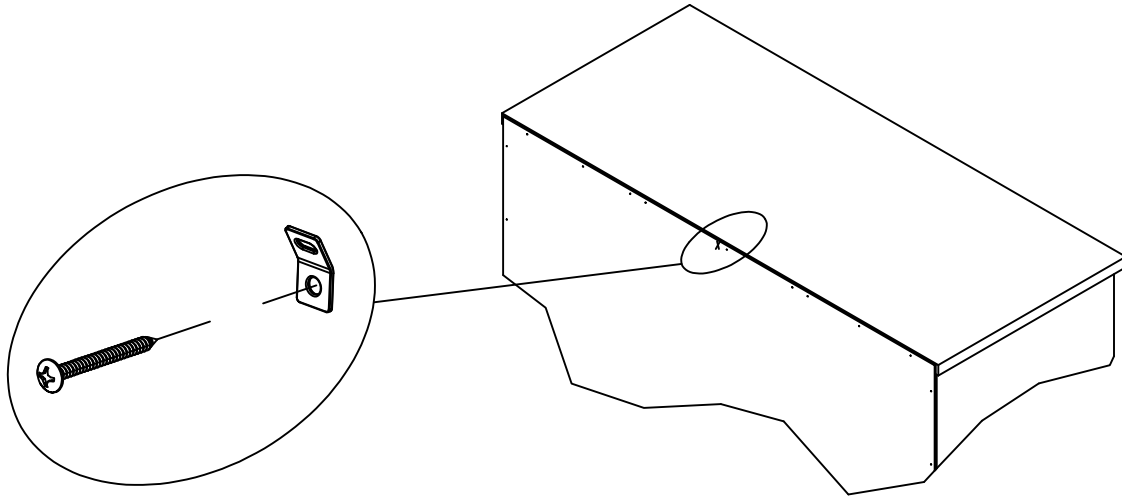
Drill 1/2" hole 1" deep at mark on wall.  
 Taladro 1/2 "agujero 1" de profundidad en la marca en la pared.  
 Percer 1/2 "trou de 1" de profondeur à la marque sur le mur.



Have an assembly question or need a replacement part? Just call  
**1-800-950-4782**, we are here to help.



Drill 1/8" hole 1" deep at mark on unit.  
Taladro 1/8 "agujero de 1" de profundidad en la marca de la unidad.  
Perçer 1/8 "trou 1" de profondeur à la marque sur l'unité.



Use replacement cable tie with minimum breaking strength of 120lbs.  
Utilice reemplazo empate Cable con resistencia a la rotura mínima de 120 libras.  
Utilisez remplacement Attache de câble avec une force de rupture minimale de 120 lbs.

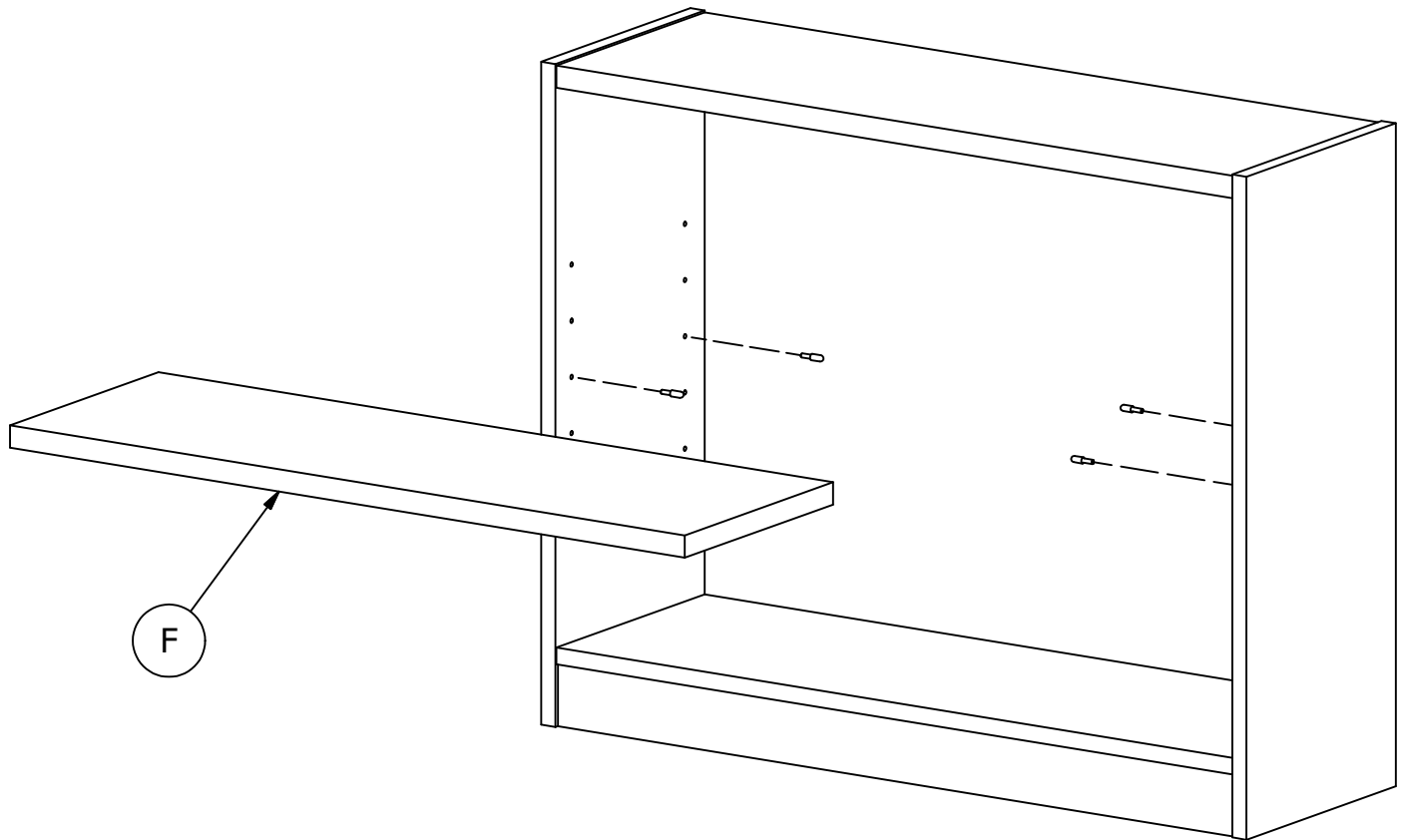
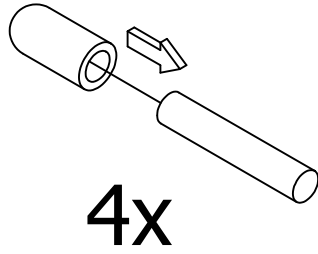
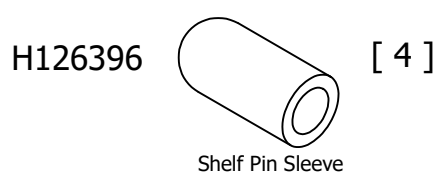
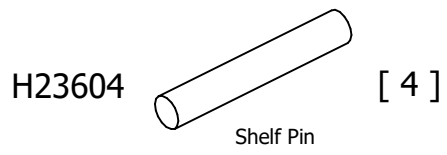
Have an assembly question or need a replacement part? Just call  
**1-800-950-4782**, we are here to help.



# STEP 10

# Assemble Panels

A213021A



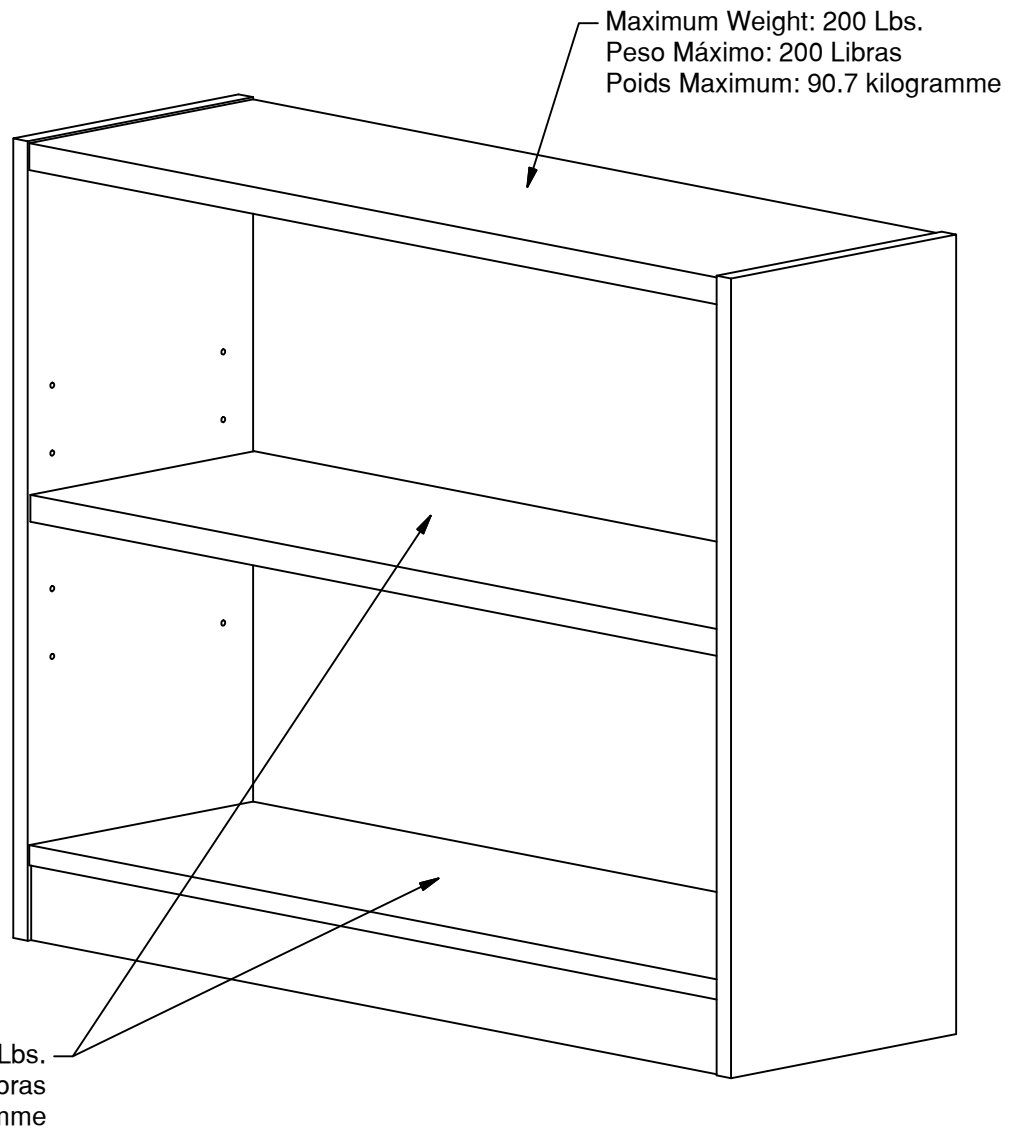
Have an assembly question or need a replacement part? Just call **1-800-950-4782**, we are here to help.

Scan QR Code to  
Watch Video on:



How to Clean  
the Surface

Gently clean surfaces with a damp sponge eraser.



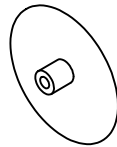
Congratulations! You are all done. If you have any questions or concerns, please call.

Have an assembly question or need a replacement part? Just call  
**1-800-950-4782**, we are here to help.

WL12413		
LABEL CODE	QTY	PART NUMBER
A	1	W212986
B	1	W212987
C	1	W212988
D	1	W212989
E	1	W212990
F	1	W212991
G	1	W212992

WL12426		
LABEL CODE	QTY	PART NUMBER
A	1	W212993
B	1	W212994
C	1	W212995
D	1	W212996
E	1	W212997
F	1	W212998
G	1	W212999

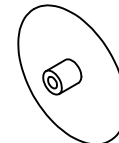
H73619



[ 4 ]

Cover Cap

H83021



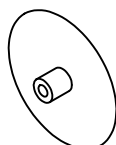
[ 4 ]

Cover Cap

WL12438		
LABEL CODE	QTY	PART NUMBER
A	1	W213000
B	1	W213001
C	1	W213002
D	1	W213003
E	1	W213004
F	1	W213005
G	1	W213006

WL12447		
LABEL CODE	QTY	PART NUMBER
A	1	W218531
B	1	W218532
C	1	W218533
D	1	W218534
E	1	W218535
F	1	W218536
G	1	W218537

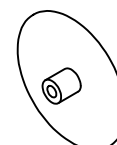
H73621



[ 4 ]

Cover Cap

H184321



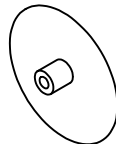
[ 4 ]

Cover Cap

Have an assembly question or need a replacement part? Just call  
**1-800-950-4782**, we are here to help.

WL12466		
LABEL CODE	QTY	PART NUMBER
A	1	W213014
B	1	W213015
C	1	W213016
D	1	W213017
E	1	W213018
F	1	W213019
G	1	W213020

H73620



[ 4 ]

Cover Cap