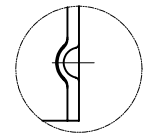
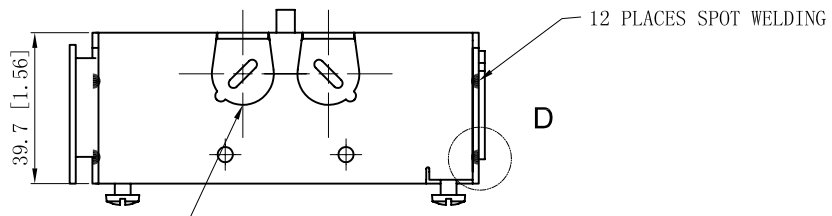
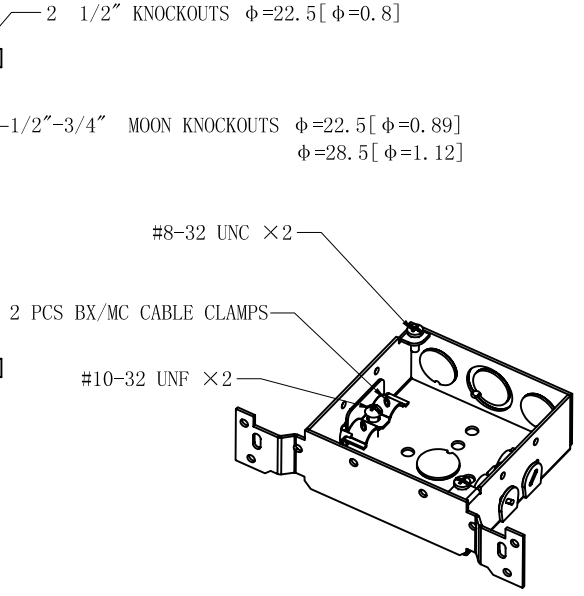
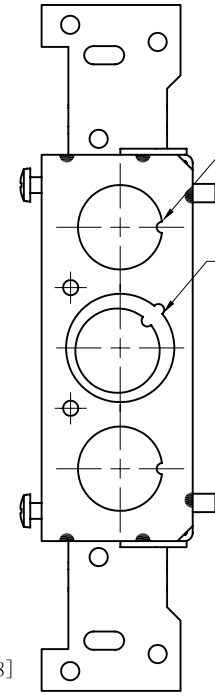
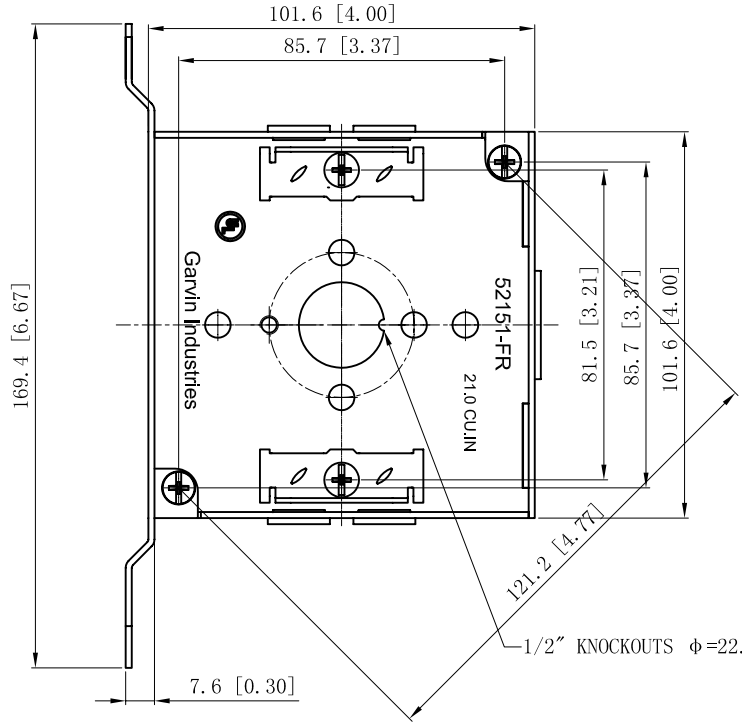
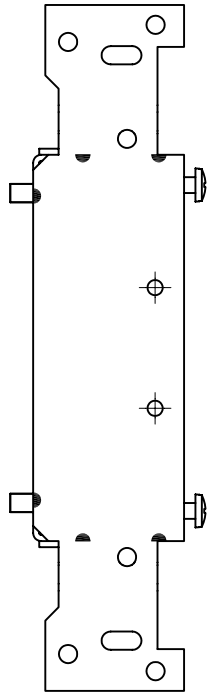


| | |
|---------------------------------------|----------------|
| SIDES | BOTTOM |
| 4 KNOCKOUTS | 1/2" KNOCKOUTS |
| 2 1/2" KNOCKOUTS | |
| 1/2"-3/4" MOON KNOCKOUTS | |
| 2 PCS 8-32×1/2 Screws Installed | |
| 2 PCS 10-32×1 Screws Installed | |
| Material:Steel-0.0625"-G60 Galvanized | |



WELDING STYLE DETAIL VIEW D



| |
|-----------------------|
| DESCRIPTION |
| |
| TRADE REFERENCE TERMS |
| |

This data sheet is for reference only. GARVIN INDUSTRIES reserves the right to make changes to the design without prior notice.

| | | | |
|------------------|--|------------|-------|
| STANDARD PACKING | <h1 style="text-align: center;">GARVIN INDUSTRIES</h1> <h2 style="text-align: center;">4" SQ. BRACKET BOXES (1-1/2" DEEP)</h2> | | |
| 25 PCS | | | |
| TITLE | 52151-FR | | REV B |
| SIZE A4 | DWG NO. | DATA SHEET | |