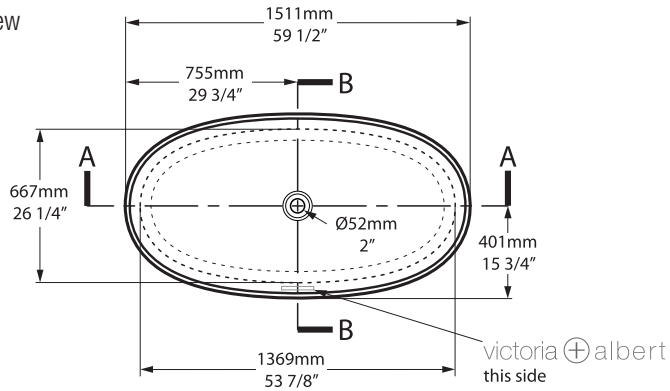


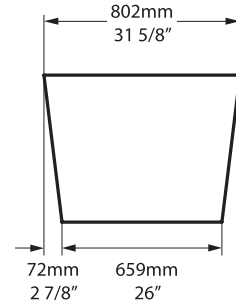
ios Freestanding Bathtub

IOS-N-SW-NO / IOS-N-SW-OF / IOSM-N-SM-NO / IOSM-N-SM-OF

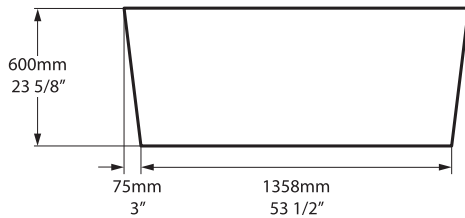
Top view



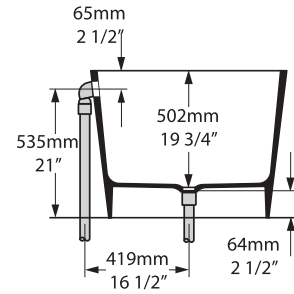
Front view



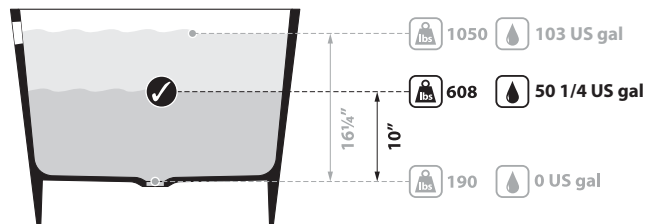
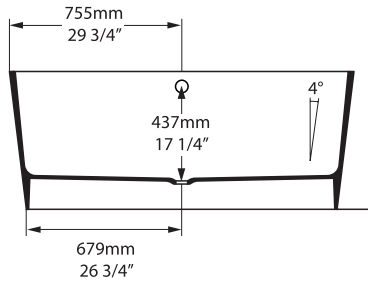
Side view



Section BB



Section AA



BV-2.1_0041

Recommended drains: K-40E-xx / K-70-xx / K-51-xx

US Customers

U.S.A.
HOUSEOFROHL.COM
1-800-777-9762

Canadian Customers

QUEBEC / MARITIMES / WESTERN CANADA
QUÉBEC / MARITIMES / QUEST CANADIEN
QUEBEC / MARITIMOS / CANADA OCCIDENTAL
HOUSEOFROHL.CA
1-866-473-8442

ONTARIO
HOUSEOFROHL.CA
1-800-287-5354