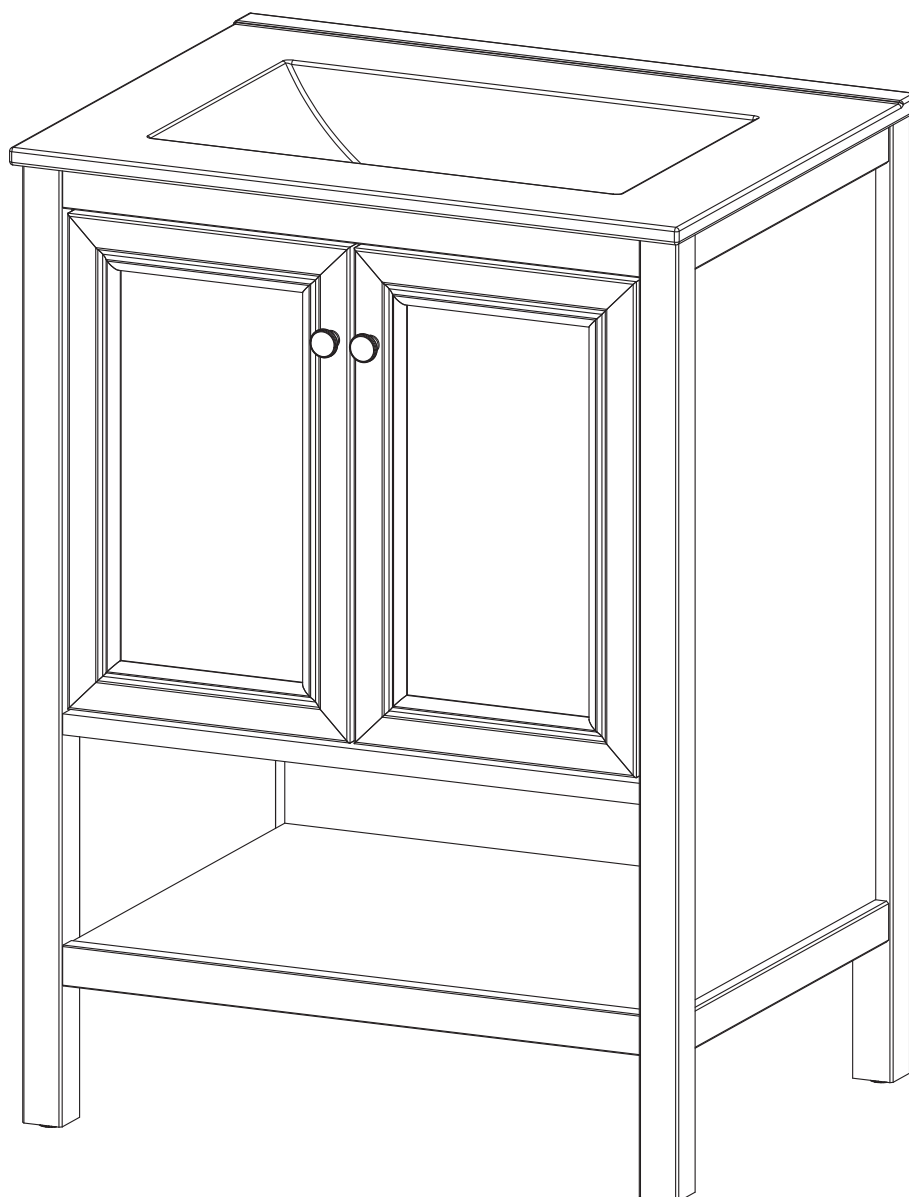


# Freestanding Vanity

## INSTALLATION INSTRUCTIONS

---

Swiss Madison®  
well made forever



@SwissMadison  
#WellMadeForever





## PRIOR TO INSTALLATION:

- Inspect product to ensure no damages have occurred while in shipping.
- Observe all plumbing and building codes in accordance with your state and local requirements.
- Floor must be level prior to installation of vanity.
- All dimensions are nominal! Be sure to measure your vanity prior to installation.
- The step-by-step guidelines in the installation instructions are a general reference. Should there be any discrepancies, Swiss Madison cannot be held liable. It is recommended to install all Swiss Madison products by hiring a licensed professional.
- Read installation instructions thoroughly before installing. Be sure to use proper tools and always wear proper personal safety accessories for your protection.

If you have any questions or concerns please contact us:

1-434-623-4766

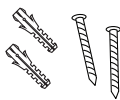
info@swissmadison.com

## SUGGESTED TOOLS & MATERIALS:

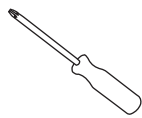
## INCLUDED PARTS:



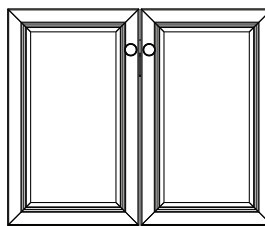
Safety Glasses



Wall-Mount Hardware



Screwdrivers



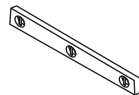
Vanity Base



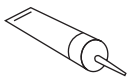
Silicone



Drop Cloth



Level



Adhesive



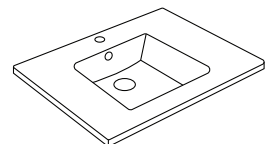
Drill



Gloves



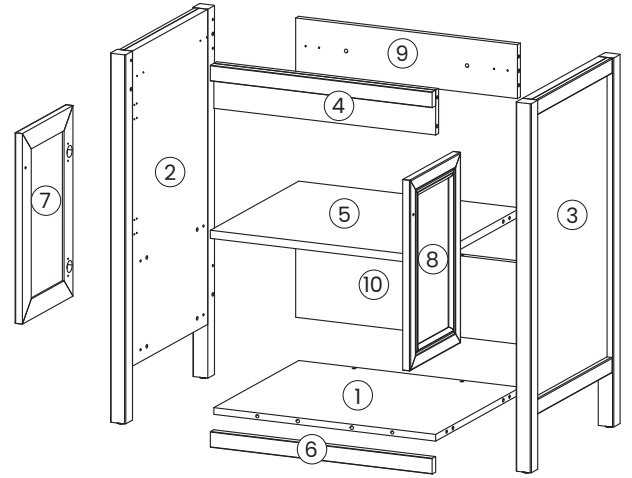
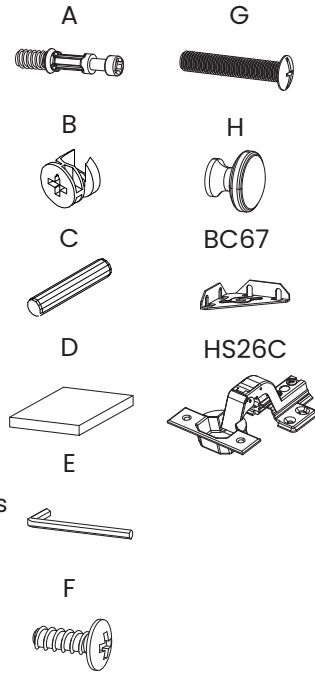
Hardware



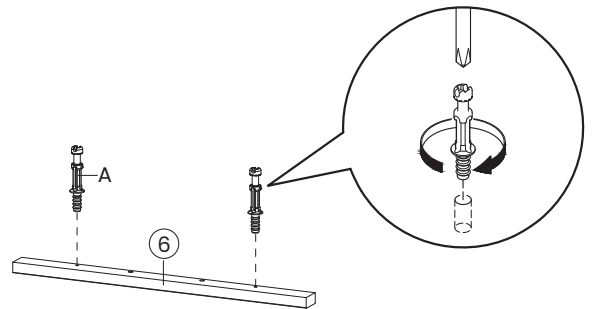
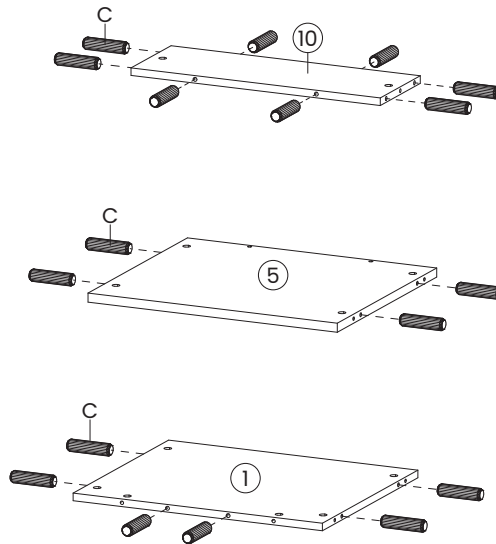
Vanity Sink

**Parts for Reference:**

- 1. Base panel
- 2. Left side panel
- 3. Right side panel
- 4. Front cross bar
- 5. Fixed panel
- 6. Bottom Skirt
- 7. Left door
- 8. Right door
- 9. Rear top bar
- 10. Rear bottom bar
- A. Cam bolt
- B. Cam lock
- C. Wooden dowel
- D. Foam pad
- E. Allen Key (2)
- F. Screws M 4.5 x 12.5 mm
- G. Screws M 4 x 25 mm for handles
- H. Handle
- BC67: Corner brace (4)
- HS26C: Hinge (4)

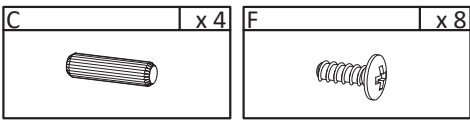
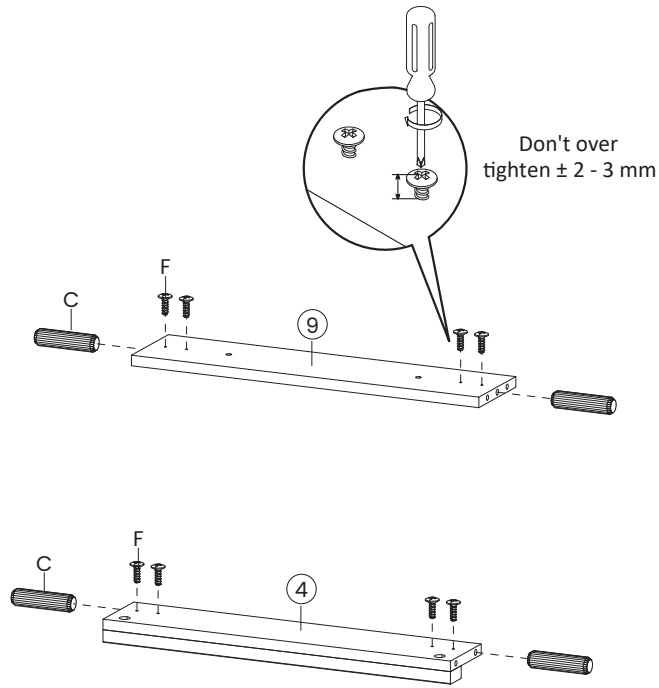


## 1. Prepare Frame

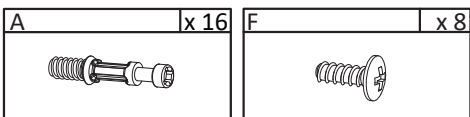
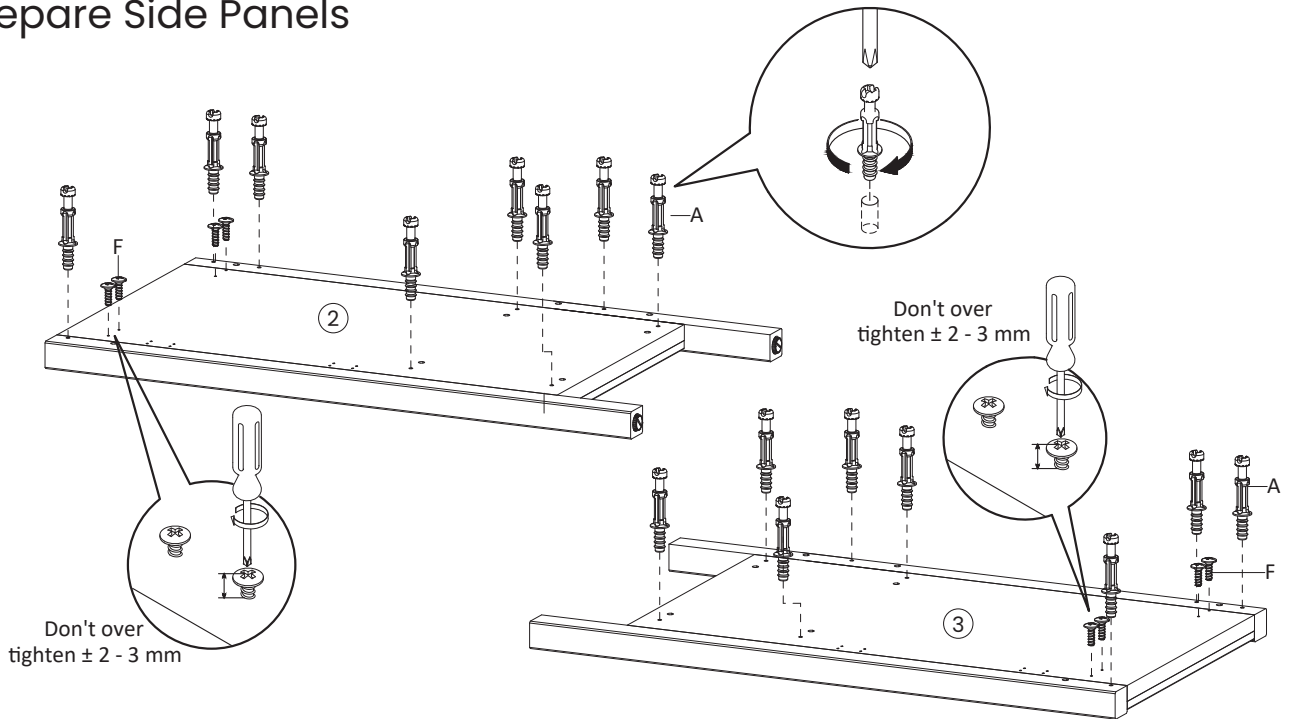


A	x 2	C	x 18

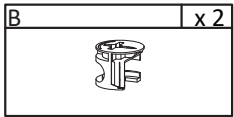
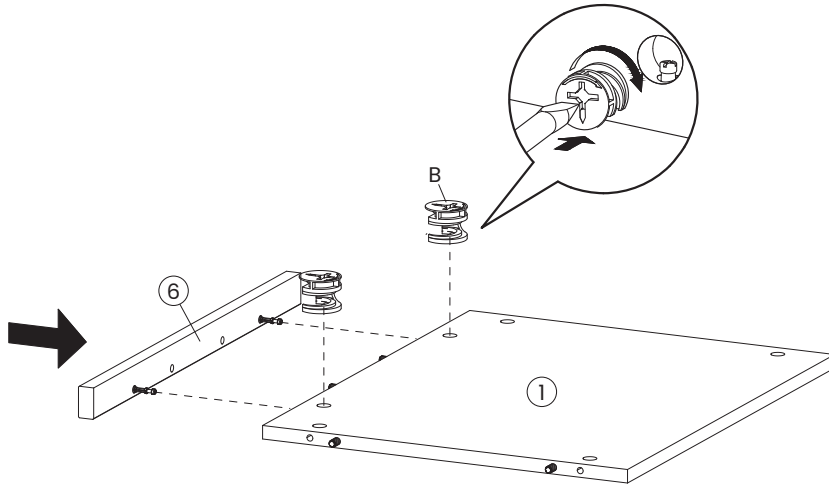
**2. Prepare Frame**



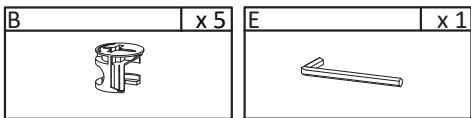
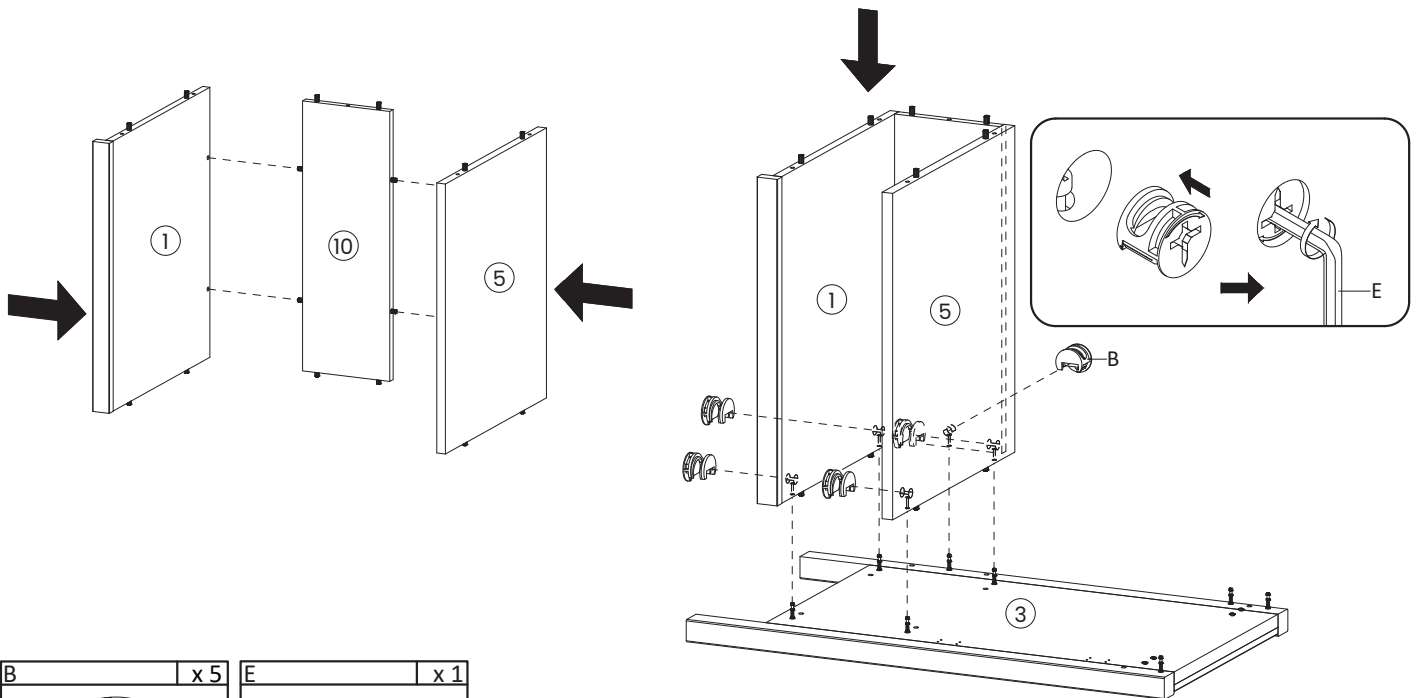
**3. Prepare Side Panels**



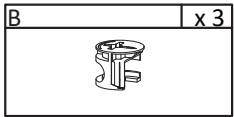
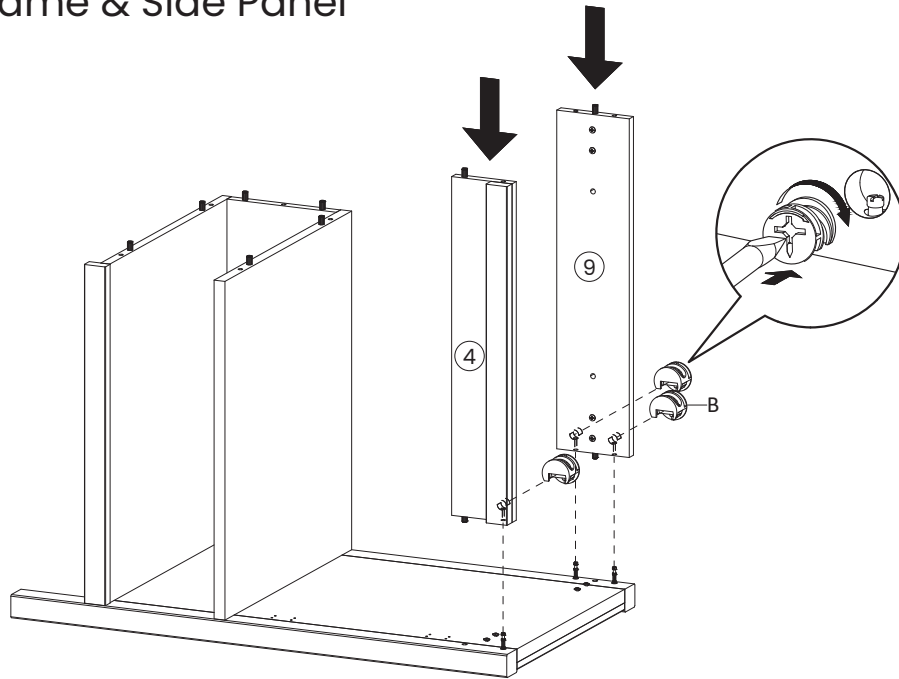
## 4. Prepare Base Panel



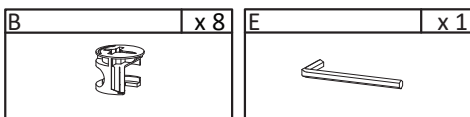
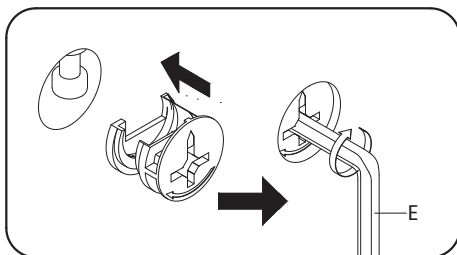
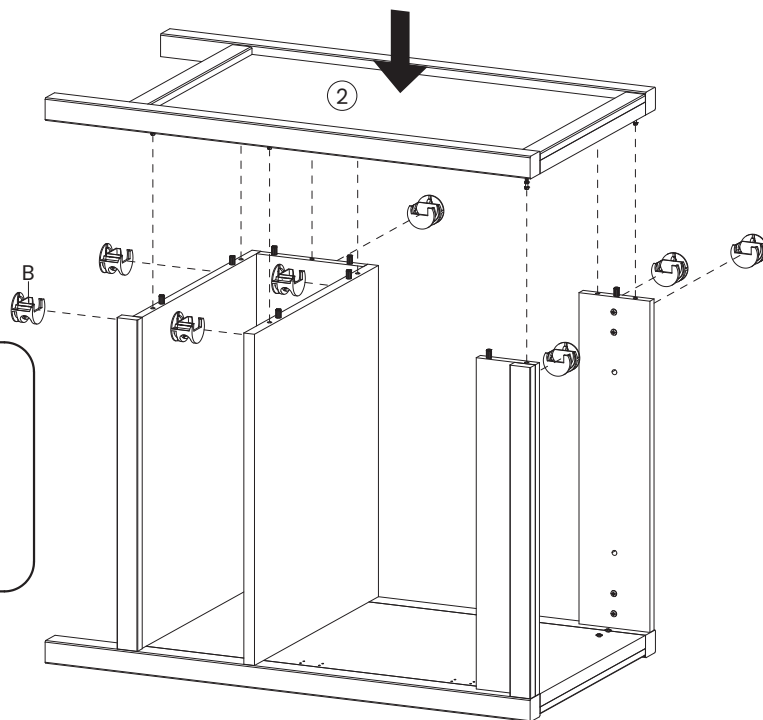
## 5. Assemble Frame & Side Panel



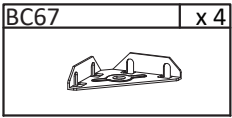
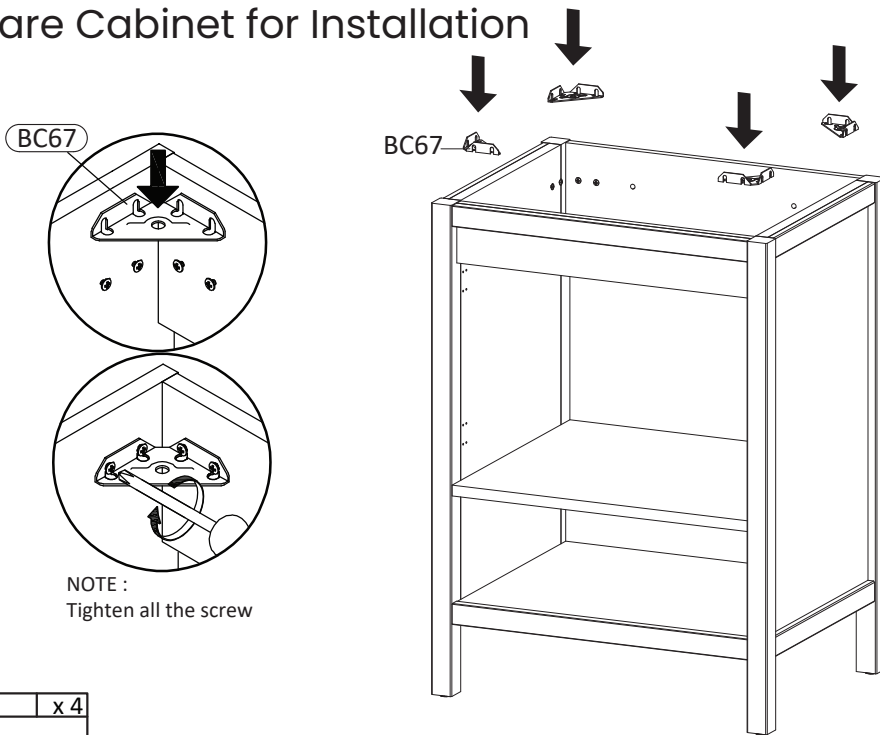
**6. Assemble Frame & Side Panel**



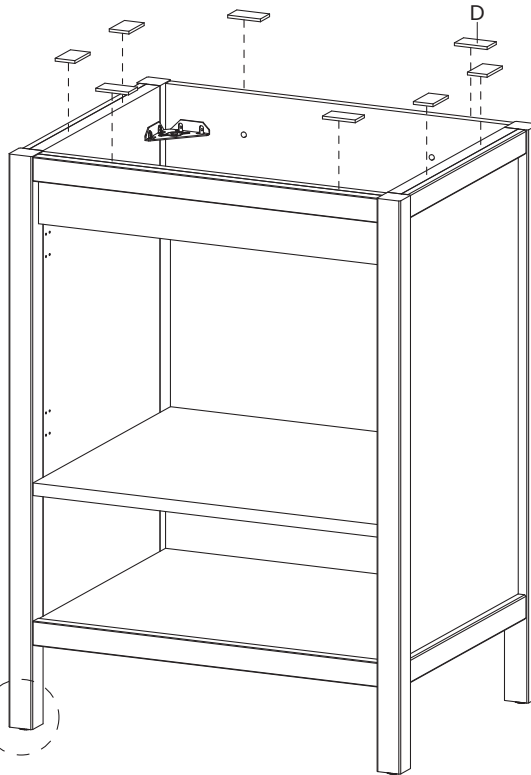
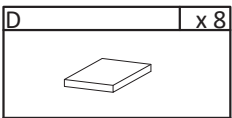
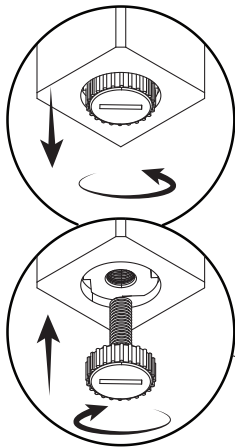
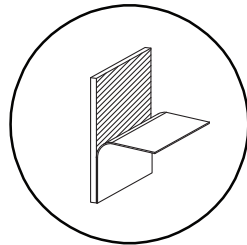
**7. Assemble Side Panel**



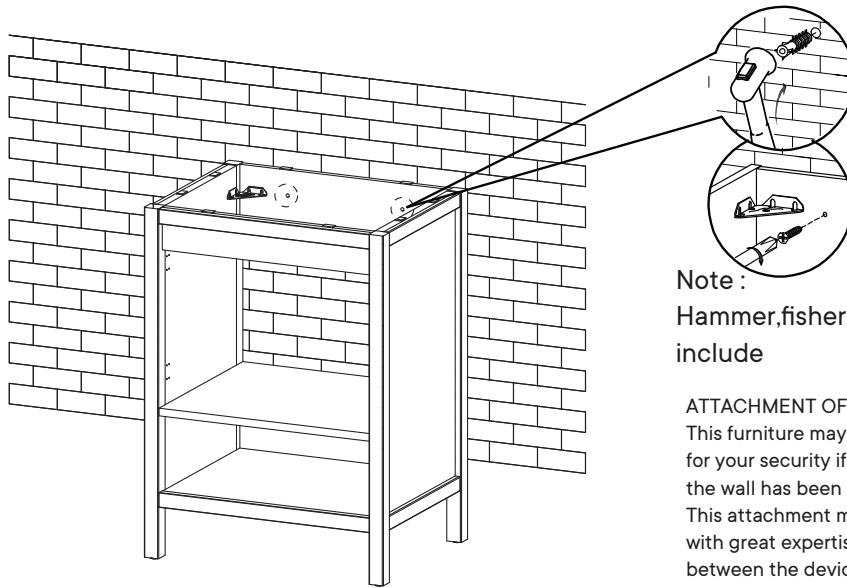
**8. Prepare Cabinet for Installation**



**9. Attach the Foam pad and Set the leg**



**10. Secure Vanity to Wall**

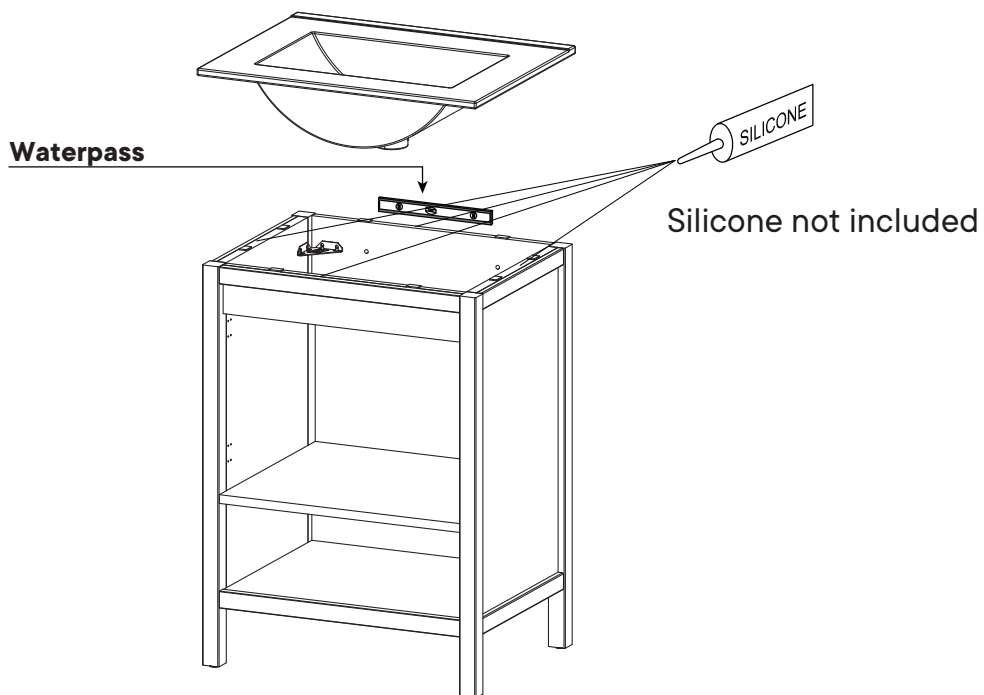


**Note :**  
Hammer, fisher and screw not include

**ATTACHMENT OF FURNITURE**  
This furniture may represent a danger for your security if it's attachment on the wall has been done in an incorrect way. This attachment must be done by a person with great expertise who will make sure adequacy between the device of fixing and the wall. Please source the right fitting according to the wall type. For your safety, it is imperative to fix your furniture to the wall

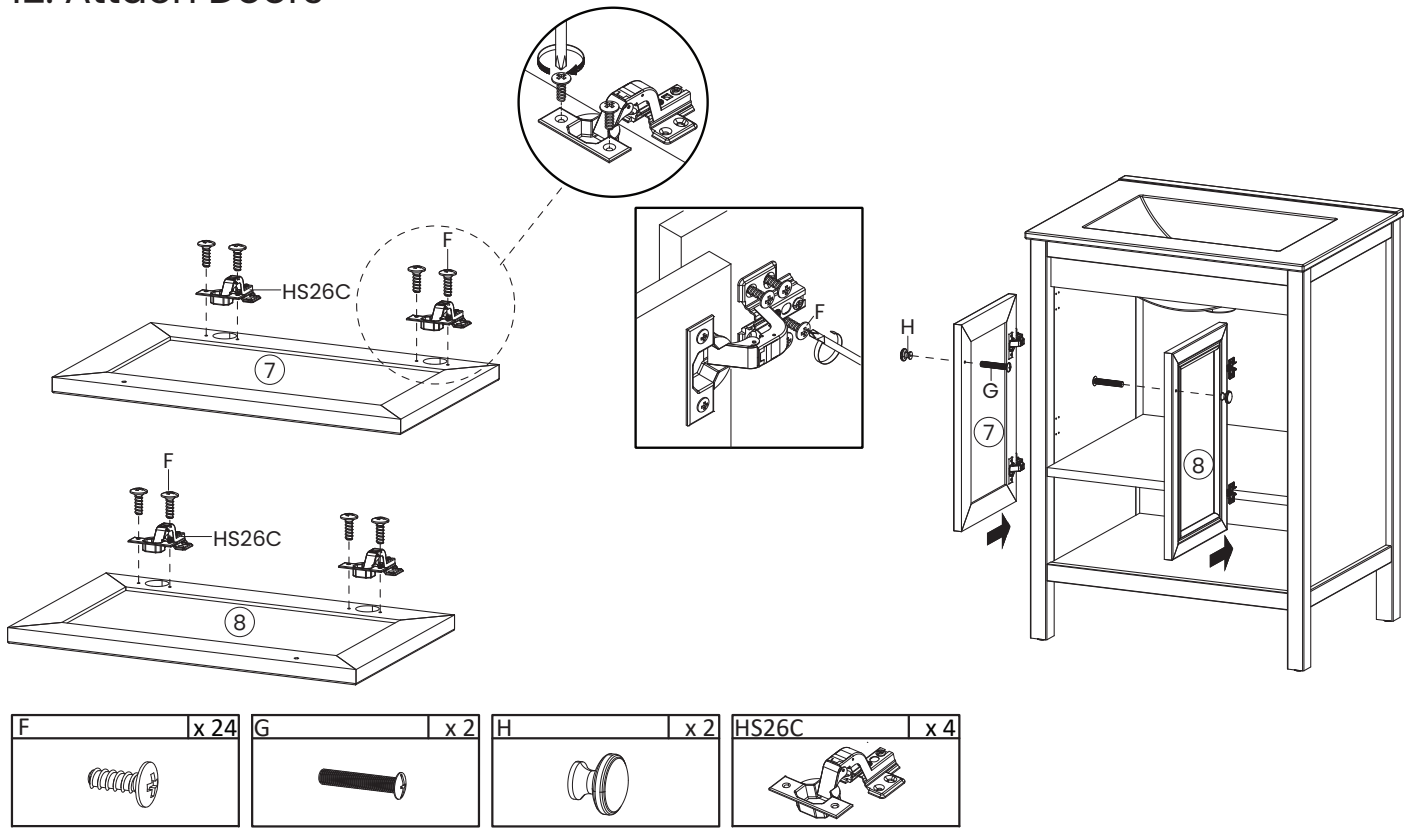
**11. Vanity Top Installation**

Apply a thin bead of silicone compound around the vanity base and set the vanity top carefully in place. Remove any excess silicone compound with a wet rag

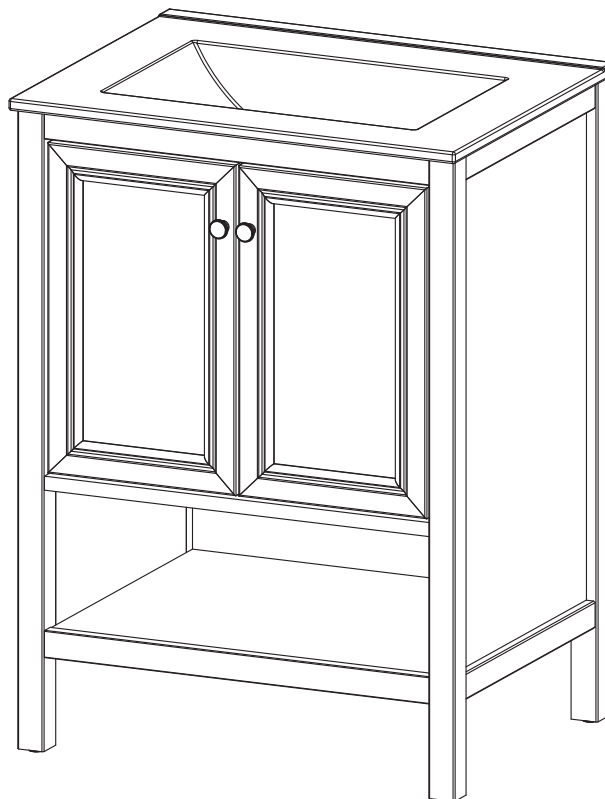




## 12. Attach Doors

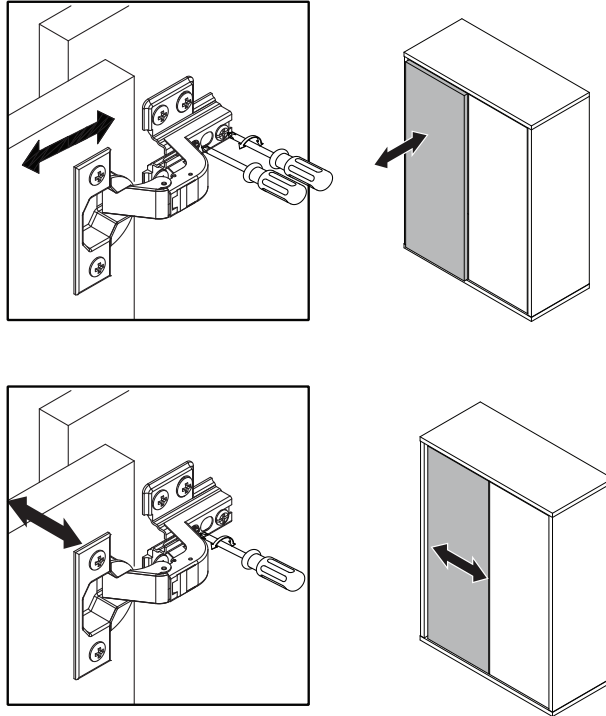


## 13.



### Hinge/Door Adjustment and Alignment

- If adjustment or realignment is needed, follow the instructions provided in the following chart.



## ONE YEAR LIMITED WARRANTY

Swiss Madison products are made with quality materials and excellent craftsmanship to provide our customers with beautiful, durable, long-lasting products. Should there be any defects in materials or craftsmanship under regular use that are discovered within the first year of installation, Swiss Madison will provide replacement parts at no charge, or at its discretion, replace any product or part of the product that is deemed defective, under normal installation, use, service or maintenance. This warranty applies only to the original purchaser. Proof of purchase will be required in the instance of a claim.

Swiss Madison recommends all installations of Swiss Madison products to be conducted by a licensed, professional plumber or contractor. Swiss Madison will not be held responsible for any damage or product failure due to improper installation, misuse, or failure to utilize a licensed professional for installation. Swiss Madison is not responsible for any installation or removal costs.

### **This One Year Limited Warranty Will Be Voided If:**


- The installation recommendations were not followed by the installer
- The product has been moved from its initial place of installation
- The product has in any way been modified from its packaged state
- The product has been subjected to improper maintenance, abuse, misuse, excessive use of chemicals, accidents, or other damages, etc.

Swiss Madison makes no implication that its products comply with any local building or plumbing codes. It is the consumer's responsibility and obligation to determine local code compliance prior to and during installation. This warranty extends only to the original purchaser and first consumer.

Swiss Madison is not responsible for any special, incidental or consequential damages associated with the installation, replacement, return or use of the original purchaser's product. This includes, but is not limited to: freight costs, labor, travel time, lost profit, home damages and other contingent liabilities and costs (including, without limitation, costs associated with 'professionals' or 'experts', investigations, audits, analyses, attorneys and any other professional/hired services).

The Swiss Madison warranty is a comprehensive and explicit limit of liability. All items not disclosed within the warranty are not addressable within the responsibility of Swiss Madison. Certain states have variances regarding implied warranties; in those situations, we remain fully compliant.

**If you have any questions or concerns, please contact us directly at 1-434-MADISON (623-4766)**

 **WARNING:** Contents of your order may contain sharp and possibly other harmful pieces and may cause hazard to children and adults. Swiss Madison is not responsible in any way for personal damages.