











Thank you for purchasing this quality product. Be sure to unpack carefully looking for small parts which may have come loose during shipment.

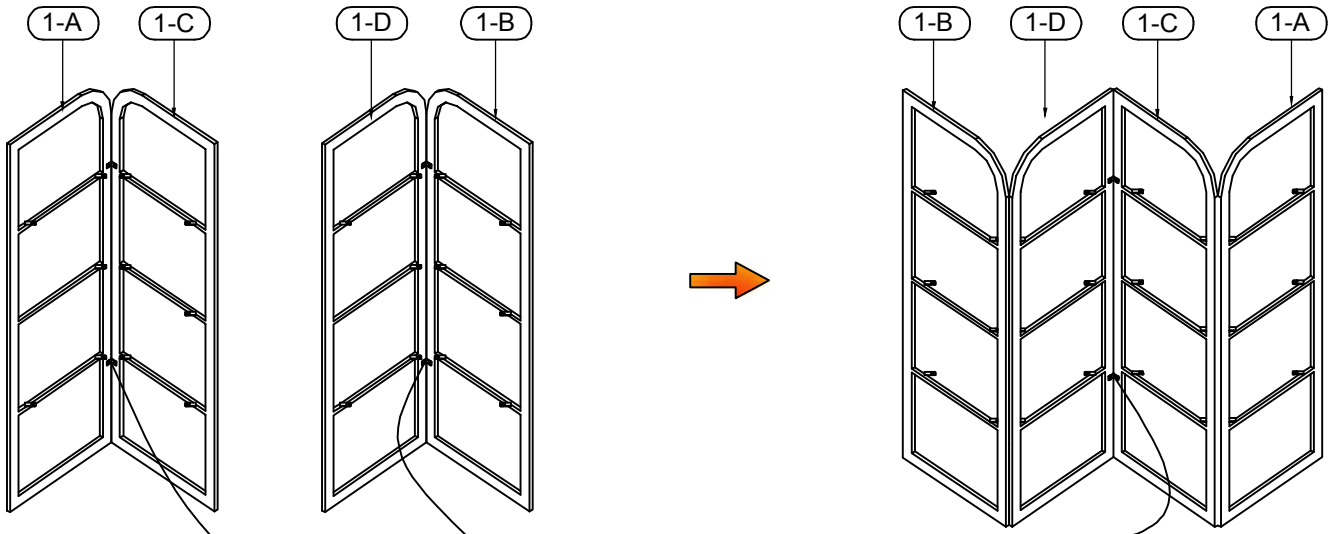
Read all instruction and study the drawing carefully before starting the assembly process.

HARDWARE PACK

NO.	DRAWING	DESCRIPTION	SIZE	QTY
A		Anti tip hardware pack		1set
B		Hexagonal bolt	$\frac{1}{4} \times \frac{3}{4}$ "	36pcs
C		Flat washer	$\frac{1}{4}$ "x19x2	36pcs
D		Allen wrench	4mm	1pc

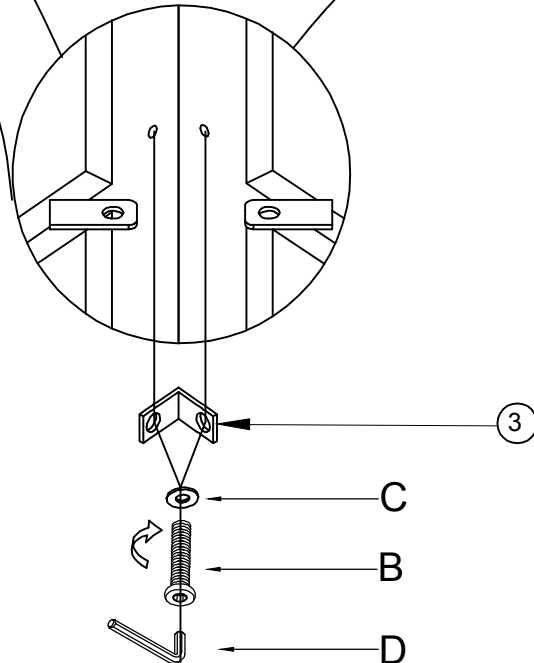
PART LIST

NO.	DRAWING	DESCRIPTION	QTY
1-A		Side frame 1	1pc
1-B		Side frame 2	1pc
1-C		Center frame 1	1pc
1-D		Center frame 2	1pc
2		Adjustable Shelf	3pcs
3		L shelf metal	6pcs



View from back
Step 1

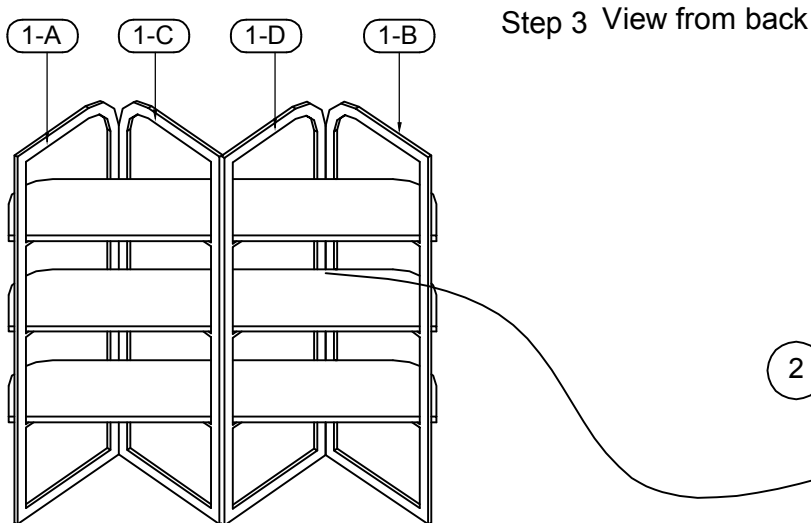
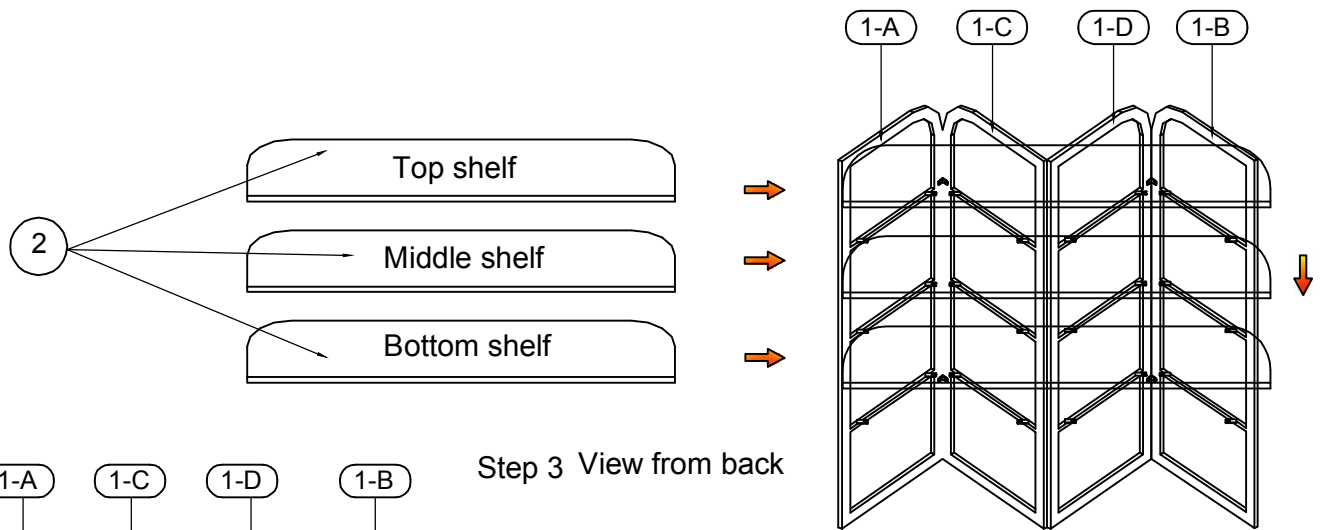
View from front
Step 2



ASSEMBLY INSTRUCTION

Item: 6850-10445-80 Etagere

Thank you for purchasing this quality product. Be sure to unpack carefully looking for small parts which may have come loose during shipment. Read all instruction and study the drawing carefully before starting the assembly process.



Step 4 View from back

