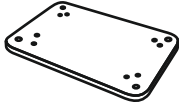
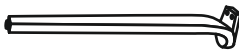


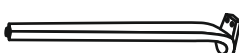






ASSEMBLY INSTRUCTIONS

ESCALON SIDE TABLE- WOOD

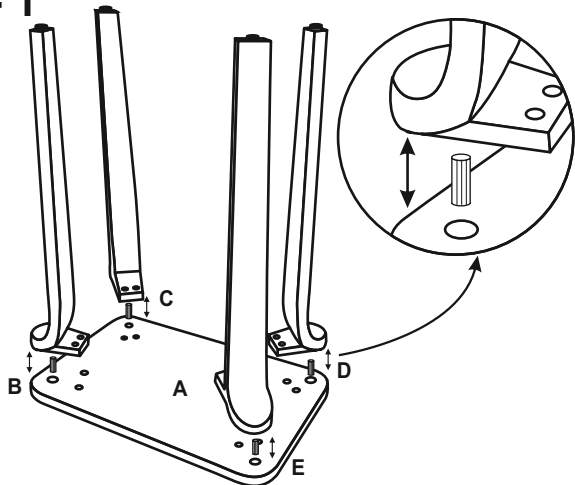
PART LIST :-

NO.	DESCRIPTION	IMAGE	QTY
A	TABLE TOP		1
B	LEG		1
C	LEG		1
D	LEG		1
E	LEG		1

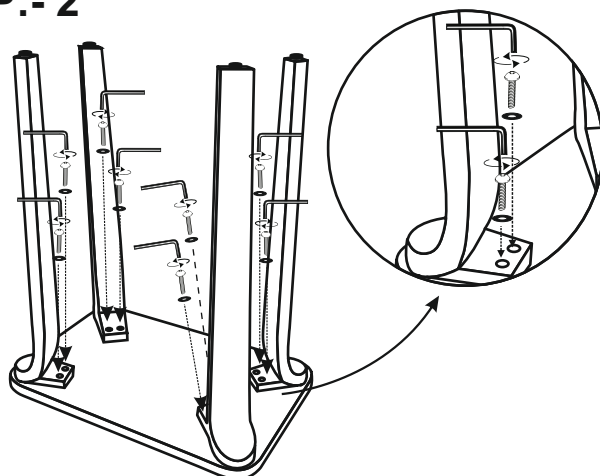
HARDWARE LIST :-

x8	
ALLEN SCREWS	
x8	
WASHERS	
x1	
ALLEN KEY	
x4	
WOODEN DOWEL	

STEP:- 1



STEP:- 2



STEP:- 3 ASSEMBLED

