

# Kräus®

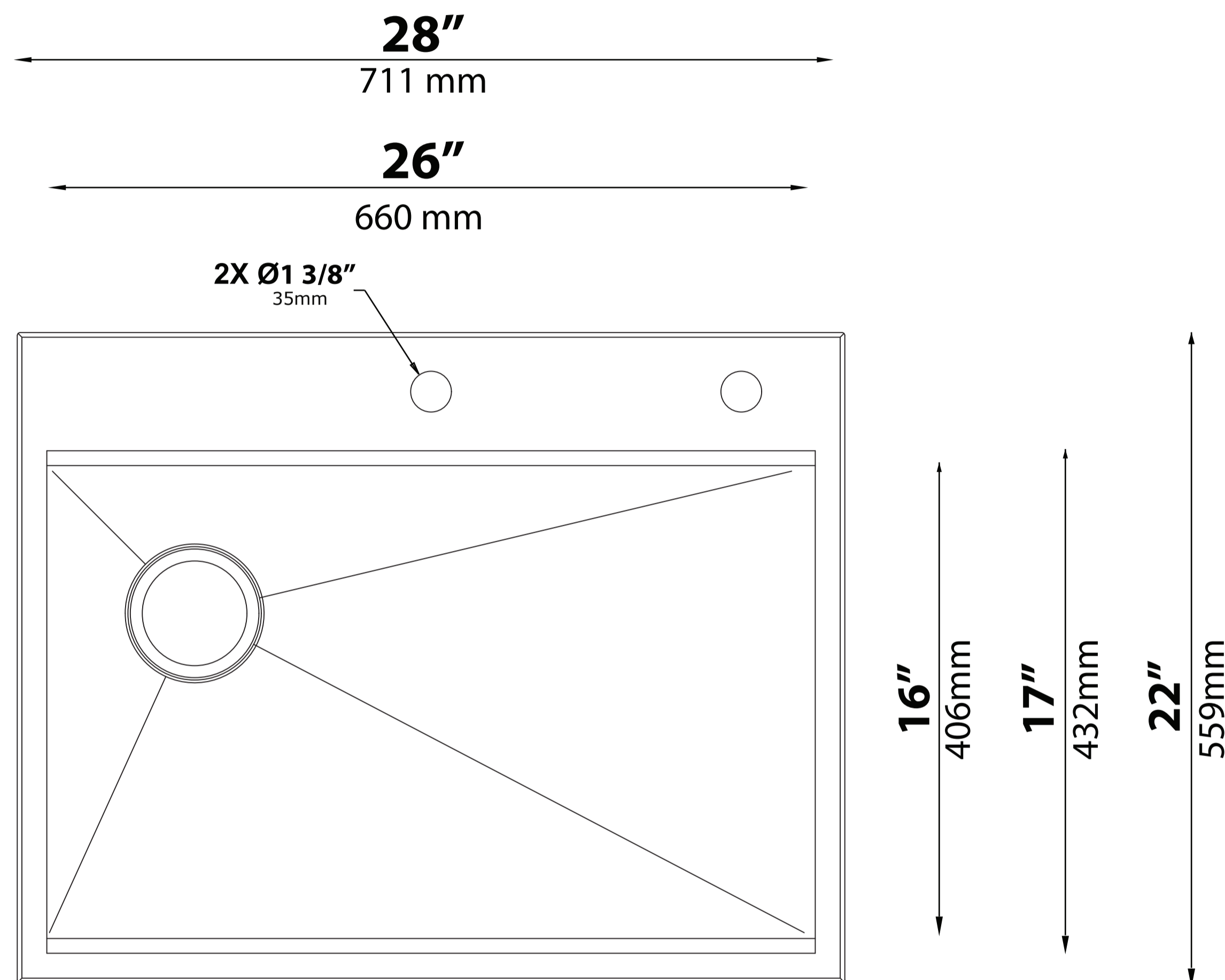
www.kraususa.com

**Model No.**  
**KWT320-28-18**

**Undermount Cut-out**

Pro Hotline: 516.801.8955  
Customer Service: 800.775.0703

**NOTE:** Cutout template is provided as a guide **ONLY** and must be checked against actual sink to verify correct fit.



Please tear perforated edge for zero / flushed reveal

Please use outer edge for positive reveal 3/8"

RP: KP22389

