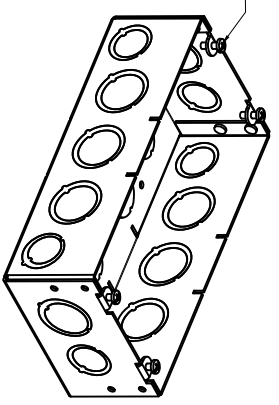
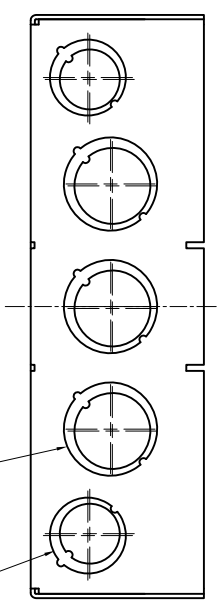
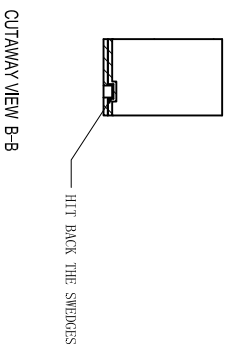
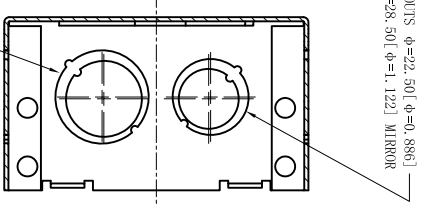
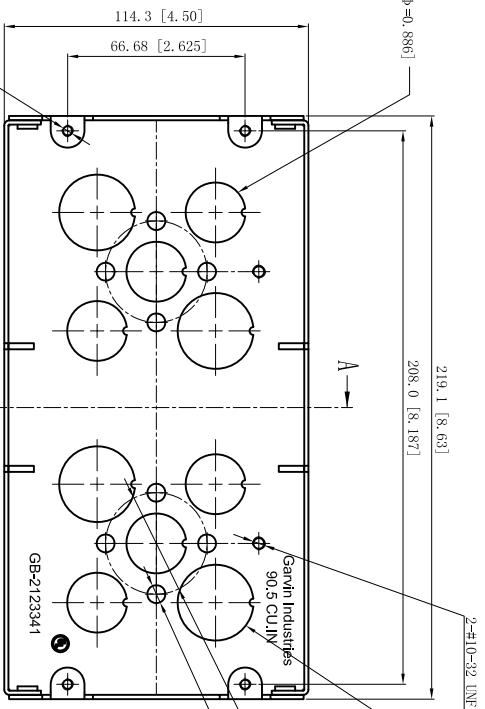
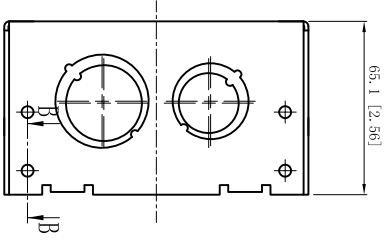


SIDES	BOTTOM
6 1/2"-3/4" KNOCKOUTS	6 1/2" KNOCKOUTS
8 3/4"-1" KNOCKOUTS	4 3/4" KNOCKOUTS
4 PCS 8-32X1/2 Screws Installed	
Material: Steel-0.0625"-660 Galvanized	

UL File # E22445



This data sheet is for reference only. GARVIN INDUSTRIES reserves the right to make changes to the design without prior notice.

STANDARD PACKING

GARVIN INDUSTRIES

20 PCS

2-1/2" DEEP MULTI-GANG BOXES

DESCRIPTION
TRADE REFERENCE TERMS

TITLE
2-1/2" DEEP MULTI-GANG BOXES
STANDARD PACKING
20 PCS
SIZE A4
DWG NO. GB-2125341
DATA SHEET
REV C