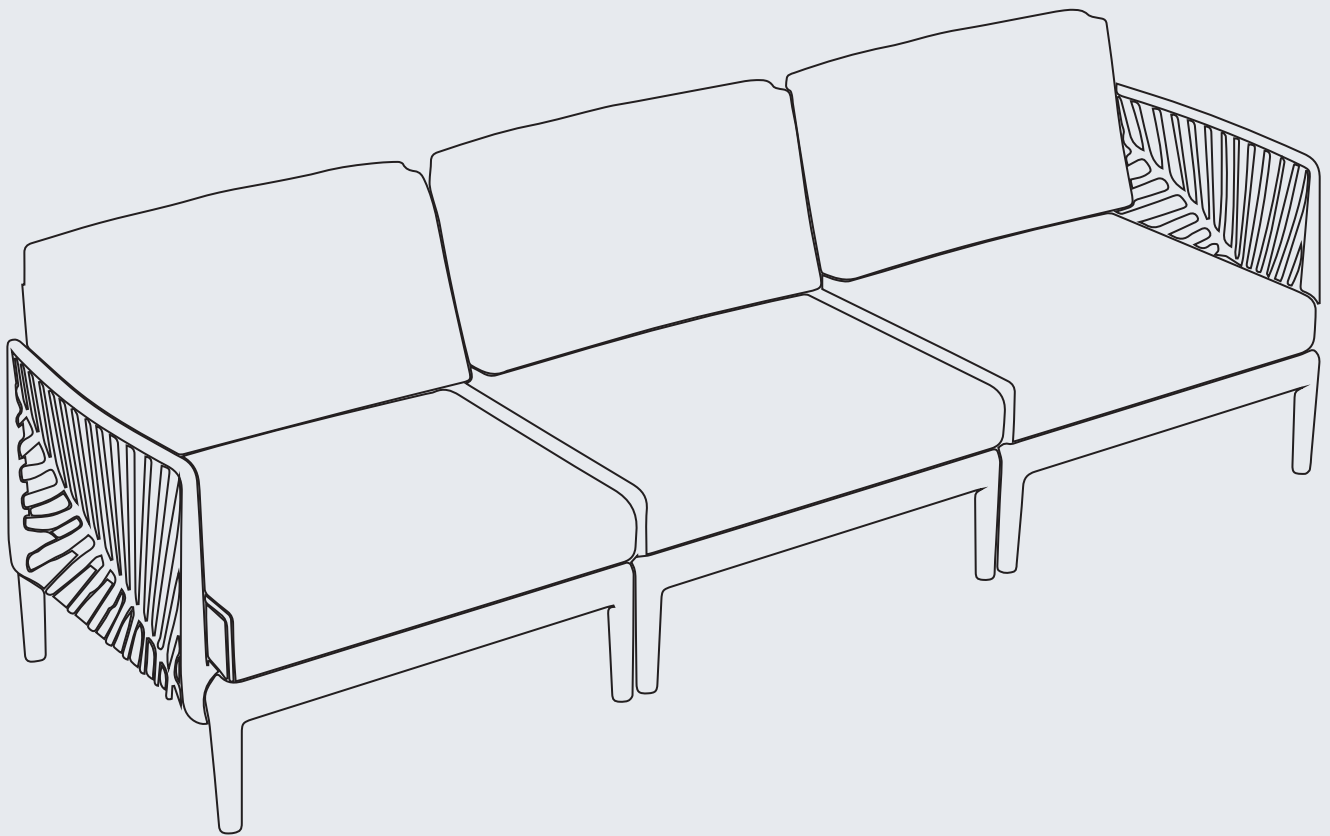


INSTRUCTION MANUAL



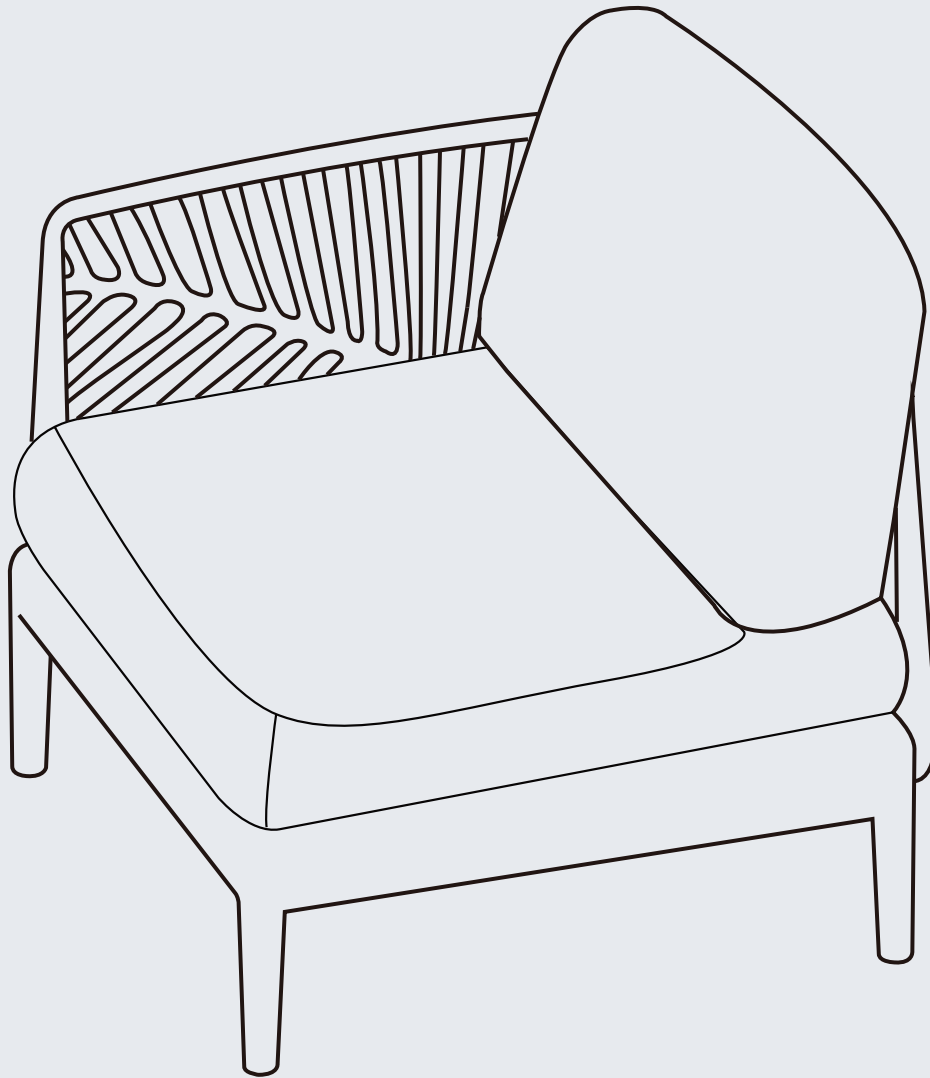
Outdoor Patio Sofa with Cushions

TABLE OF CONTENTS

ASSEMBLY INSTRUCTIONS

Patio Deep Seating Left Arm Chair with Cushions.....	3
Patio Deep Seating Armless Chair with Cushions	8
Patio Deep Seating Right Arm Chair with Cushions...	13
Combining Sofas.....	18

INSTRUCTION MANUAL



Patio Deep Seating Left Arm Chair
with Cushions

! CARE & MAINTENANCE

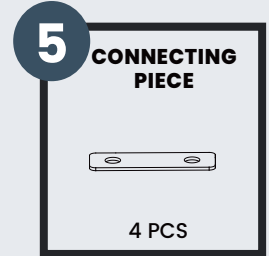
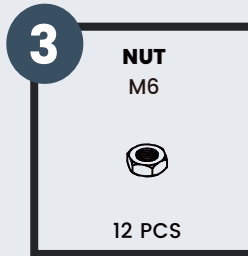
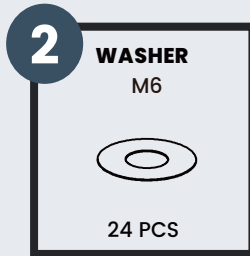
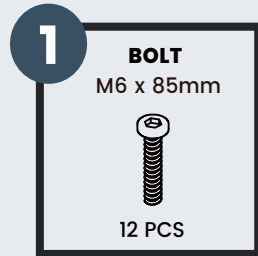
Do not overtighten screws. (Insert all screws before tightening screws)

- Be careful when assembling to avoid damaging the surface.
- Clean the chair with lukewarm water, mild detergent & soft cloth.
- Firmly secure all bolts before use. Do not use any part of this item as a step ladder.
- Make sure that all bolts, screws, and nuts are secure every 90 days
- Do not use or store this item in the proximity of open flame or flammable/combustible chemicals.
- Be aware that some parts are heavy and have sharp edges.
- Do not overtighten screws (insert all screws before tightening screws).

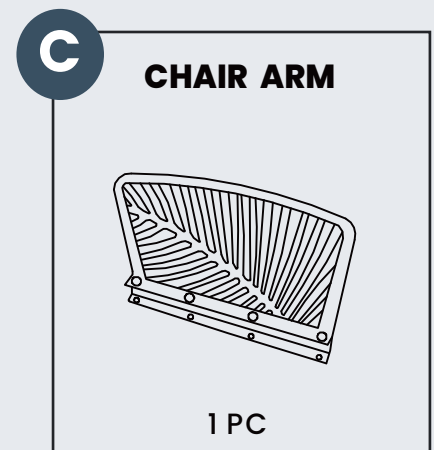
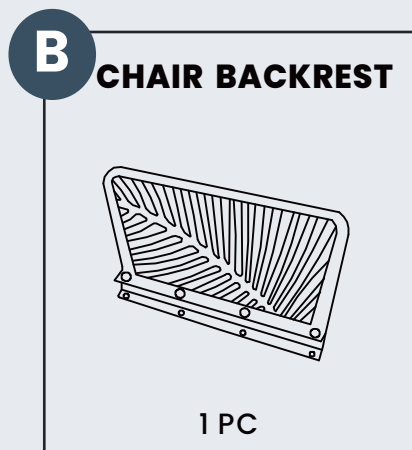
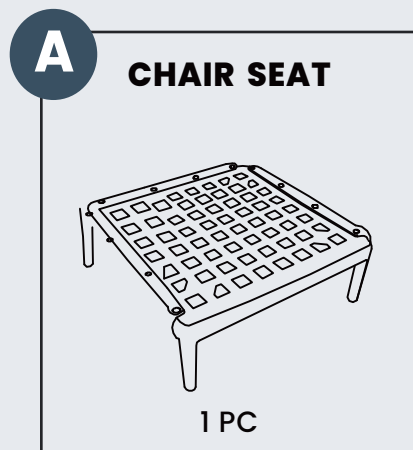
TOOLS REQUIRED



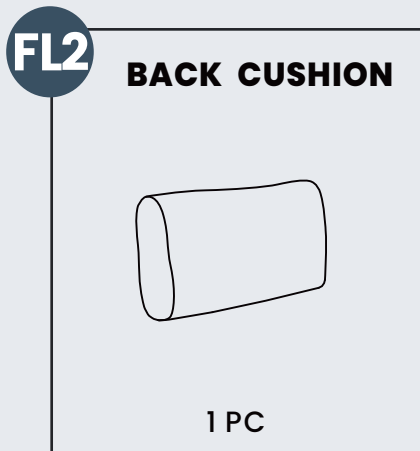
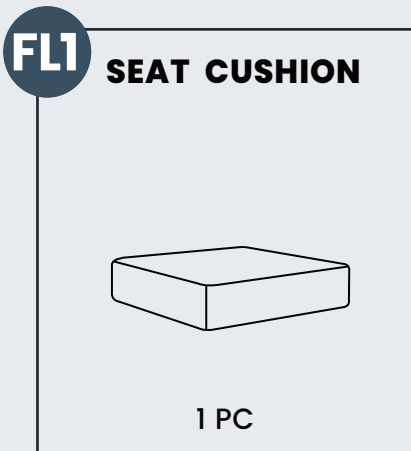
HARDWARE



PARTS

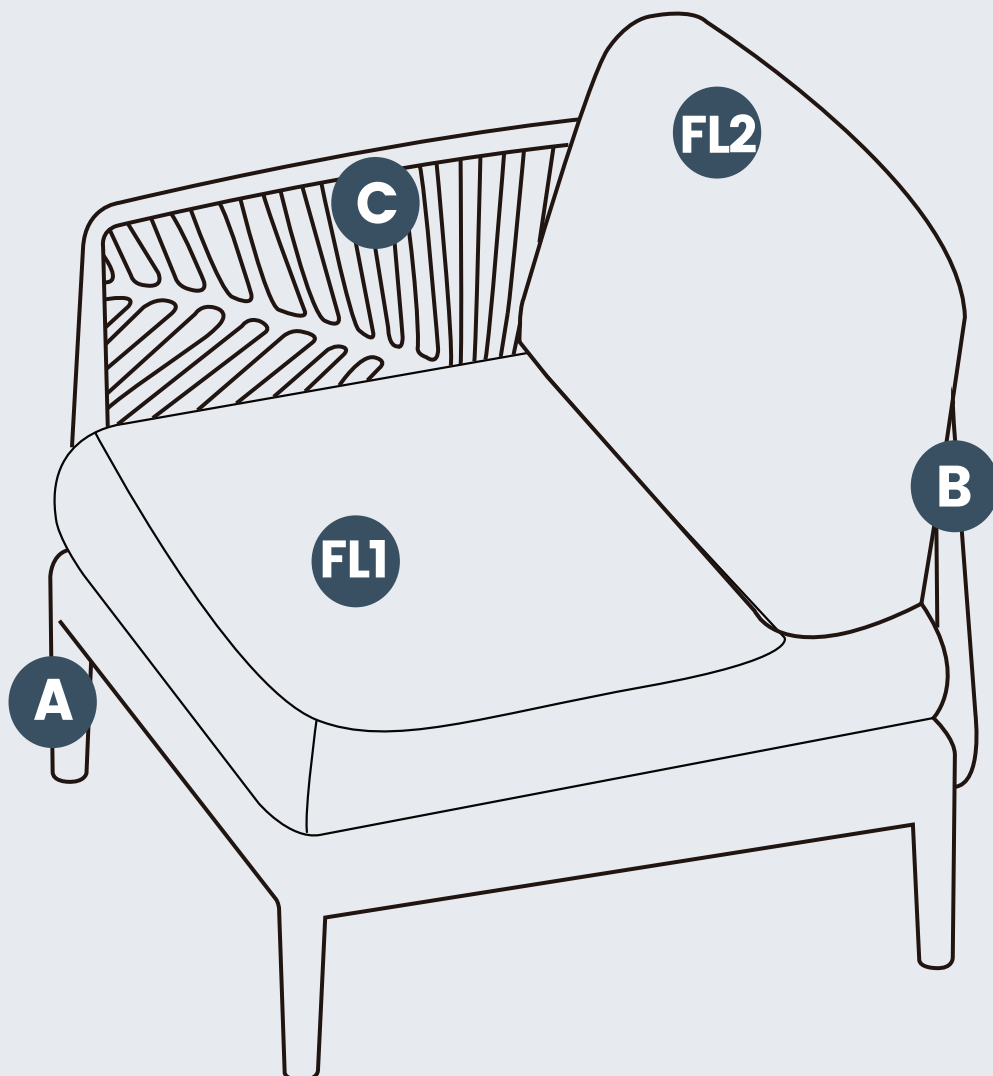


CUSHION



PRODUCT ASSEMBLY-OVERALL VIEW

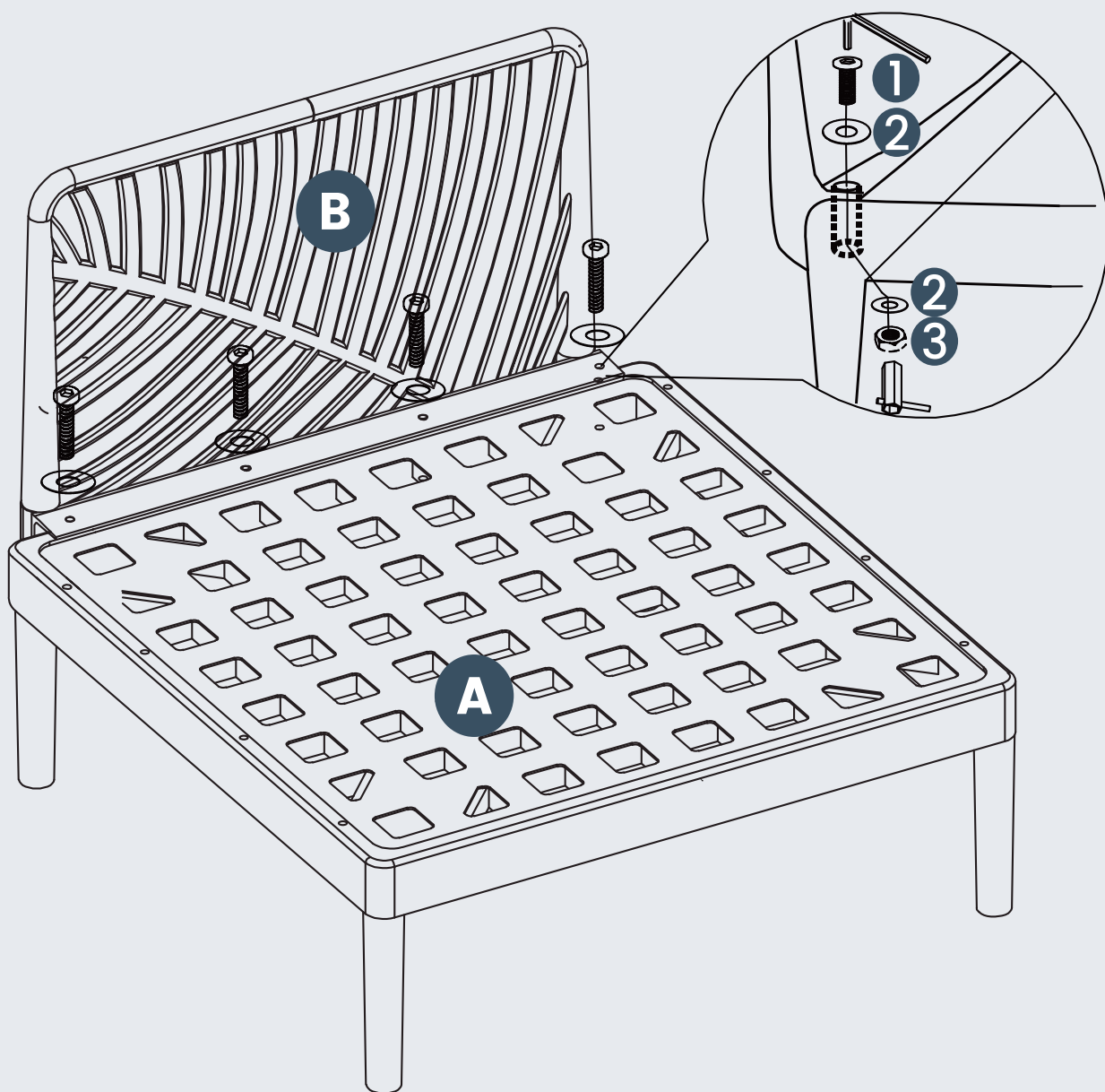
Look at following overall view of this chair and learn the exact position of each part to be assembled.



PRODUCT ASSEMBLY

1

Attach **Part B Backrest** to **Part A Chair Seat** with 4 sets of **Hardware (1pc of #1 Bolt + 2pc of #2 Washer + 1pc of #3 Nut)** by using Allen Wrench & Socket Wrench. Make sure to insert all bolts first, then tighten each one evenly to 100%.

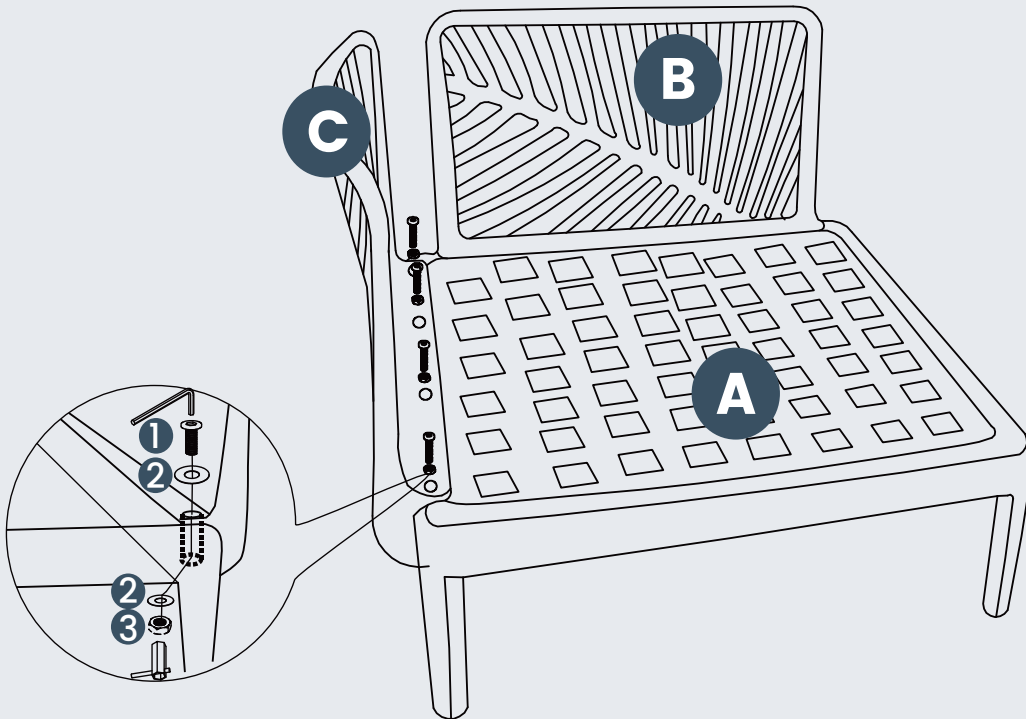


PRODUCT ASSEMBLY

2

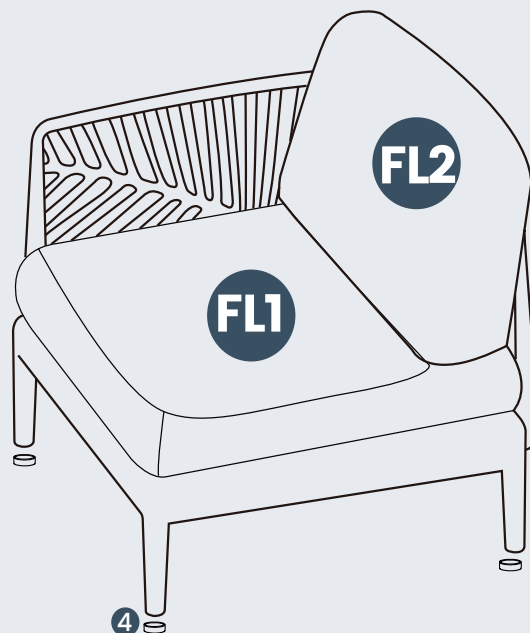
Attach 1pcs of **Part C Chair Arm** to **Part A Chair Seat** with 4 sets of **Hardware (1pc of #1 Bolt + 2pc of #2 Washer + 1pc of #3 Nut)** by using Allen Wrench & Socket Wrench.

Make sure to insert all bolts first, then tighten each one evenly to 100%.

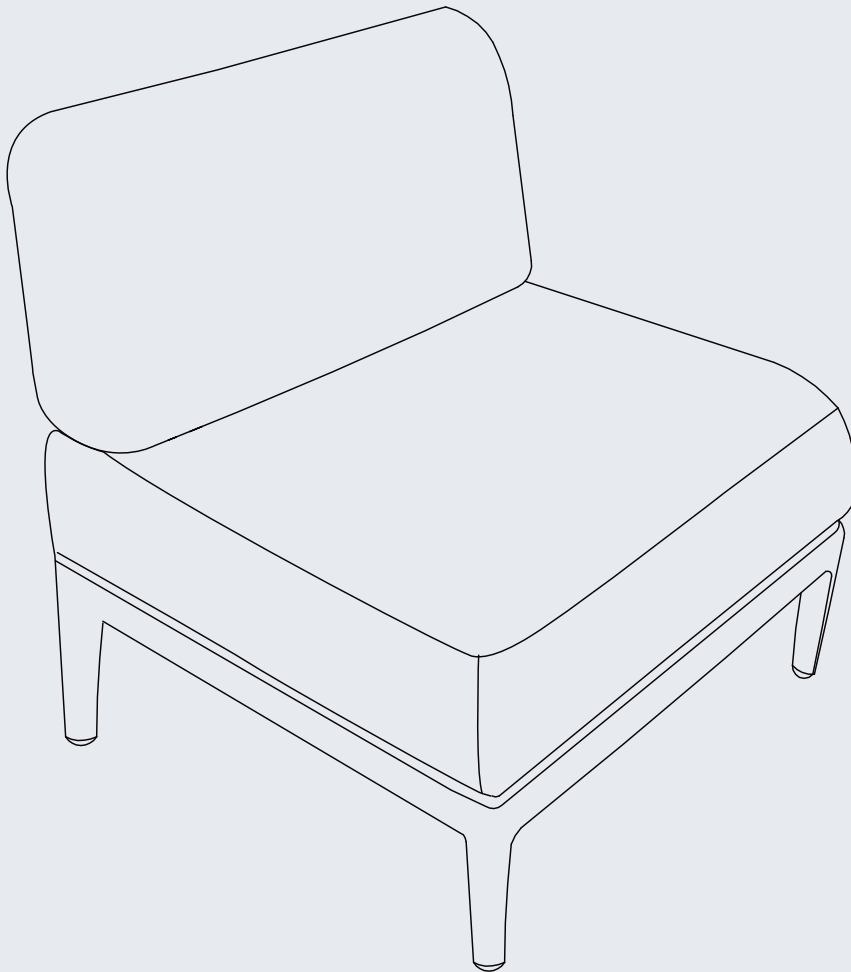


3

Insert 4pcs of **Hardware #4 Foot Nail** to the bottom of legs.
Put **Part FL1 Seat Cushion** and **Part FL2 Back Cushion** on the seat.
Now enjoy your chair.



INSTRUCTION MANUAL



Patio Deep Seating Armless Chair
with Cushions

! CARE & MAINTENANCE

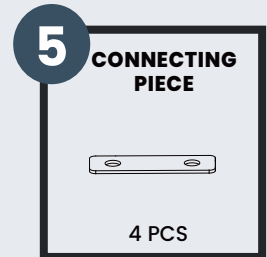
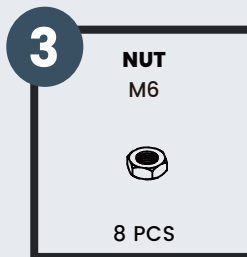
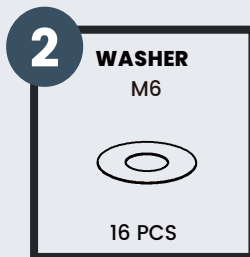
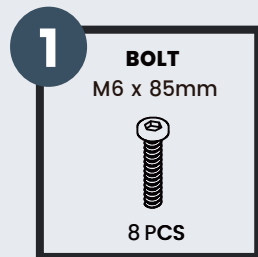
Do not overtighten screws. (Insert all screws before tightening screws)

- Be careful when assembling to avoid damaging the surface.
- Clean the chair with lukewarm water, mild detergent & soft cloth.
- Firmly secure all bolts before use. Do not use any part of this item as a step ladder.
- Make sure that all bolts, screws, and nuts are secure every 90 days
- Do not use or store this item in the proximity of open flame or flammable/combustible chemicals.
- Be aware that some parts are heavy and have sharp edges.
- Do not overtighten screws (insert all screws before tightening screws).

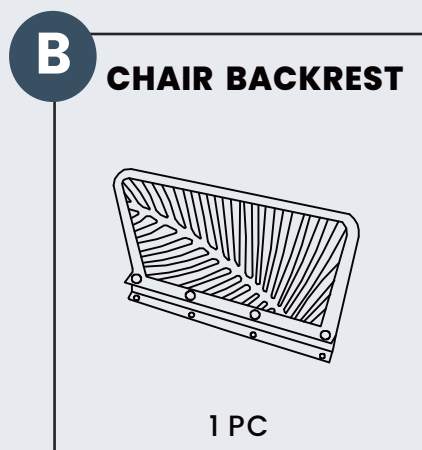
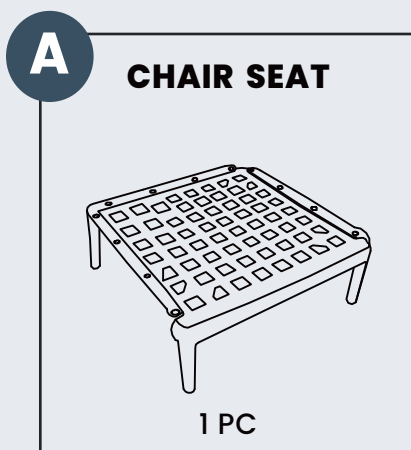
TOOLS REQUIRED



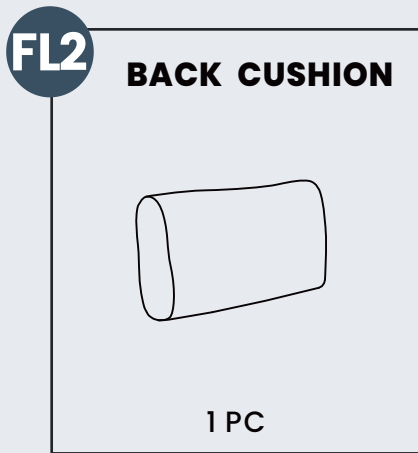
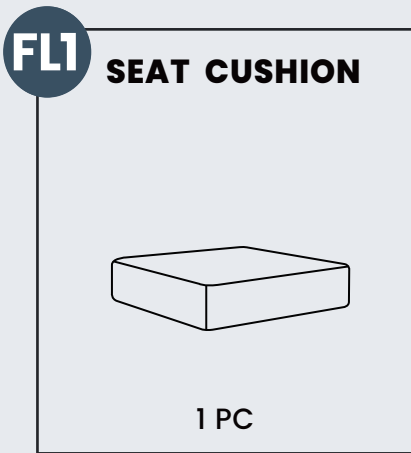
HARDWARE



PARTS

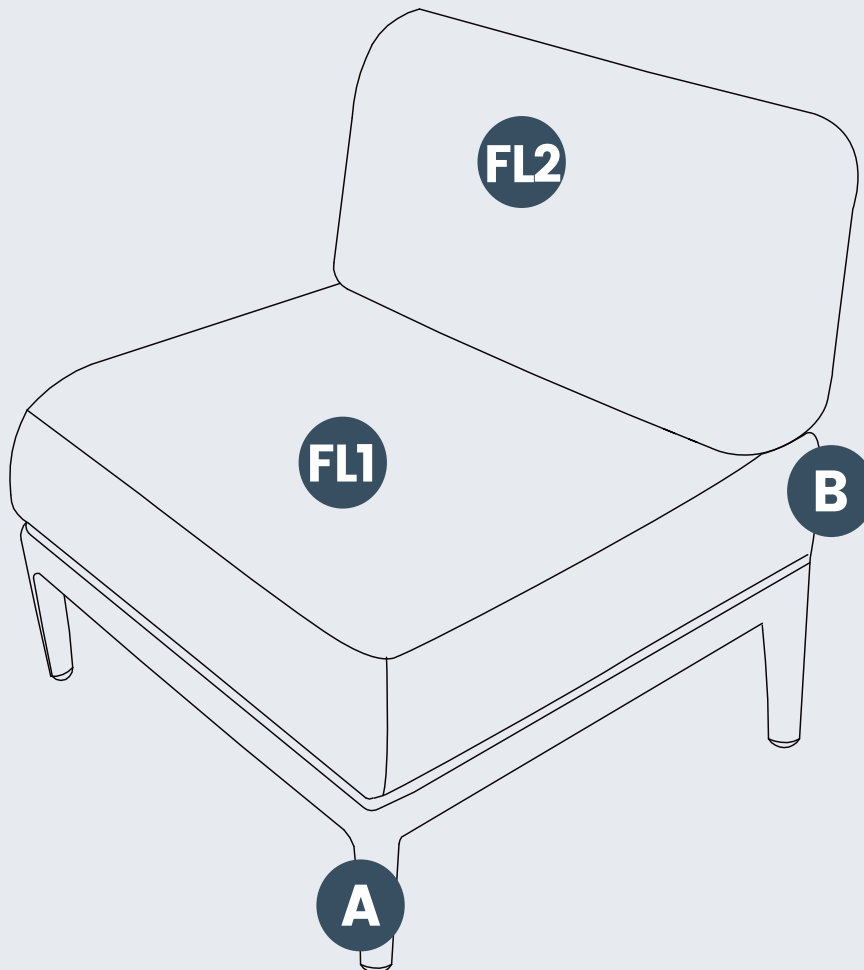


CUSHION



PRODUCT ASSEMBLY-OVERALL VIEW

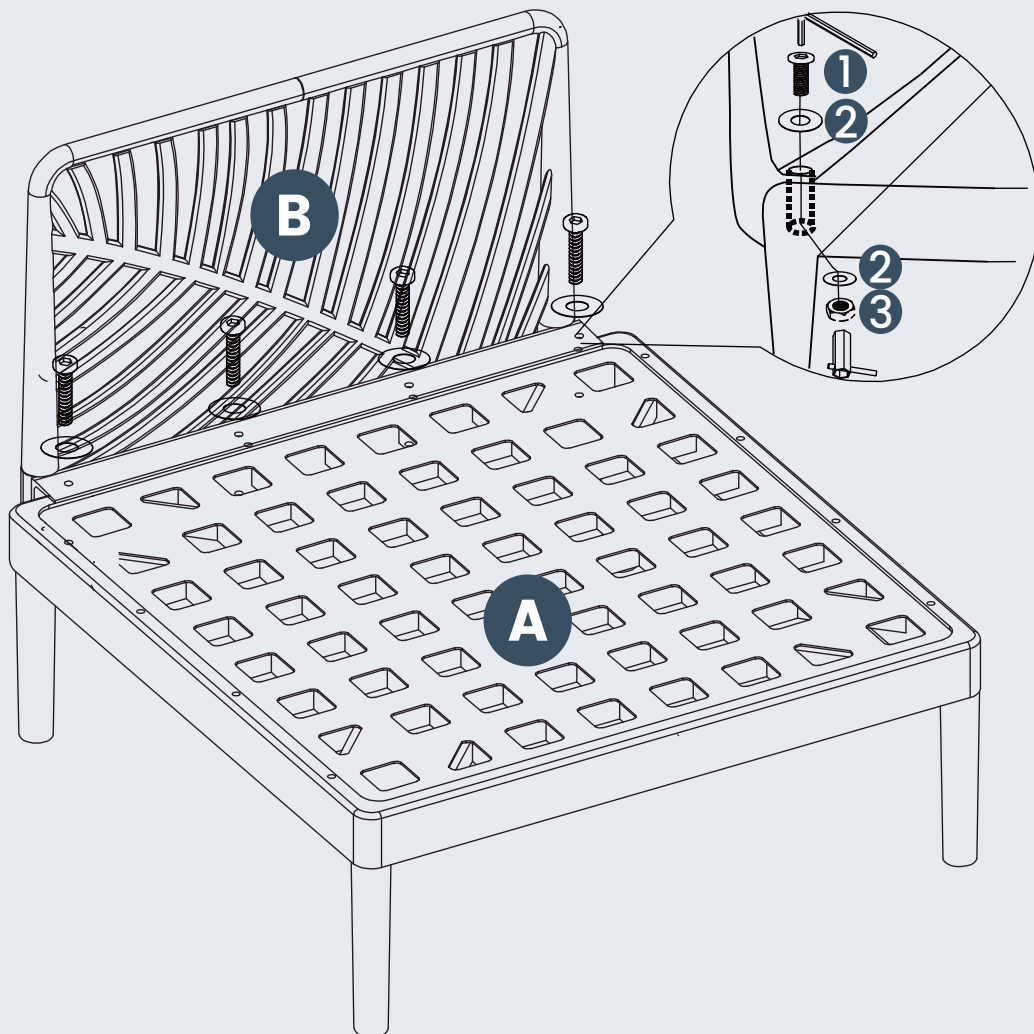
Look at following overall view of this chair and learn the exact position of each part to be assembled.



PRODUCT ASSEMBLY

1

Attach **Part B Backrest** to **Part A Chair Seat** with 4 sets of **Hardware (1pc of #1 Bolt + 2pc of #2 Washer + 1pc of #3 Nut)** by using Allen Wrench & Socket Wrench. Make sure to insert all bolts first, then tighten each one evenly to 100%.

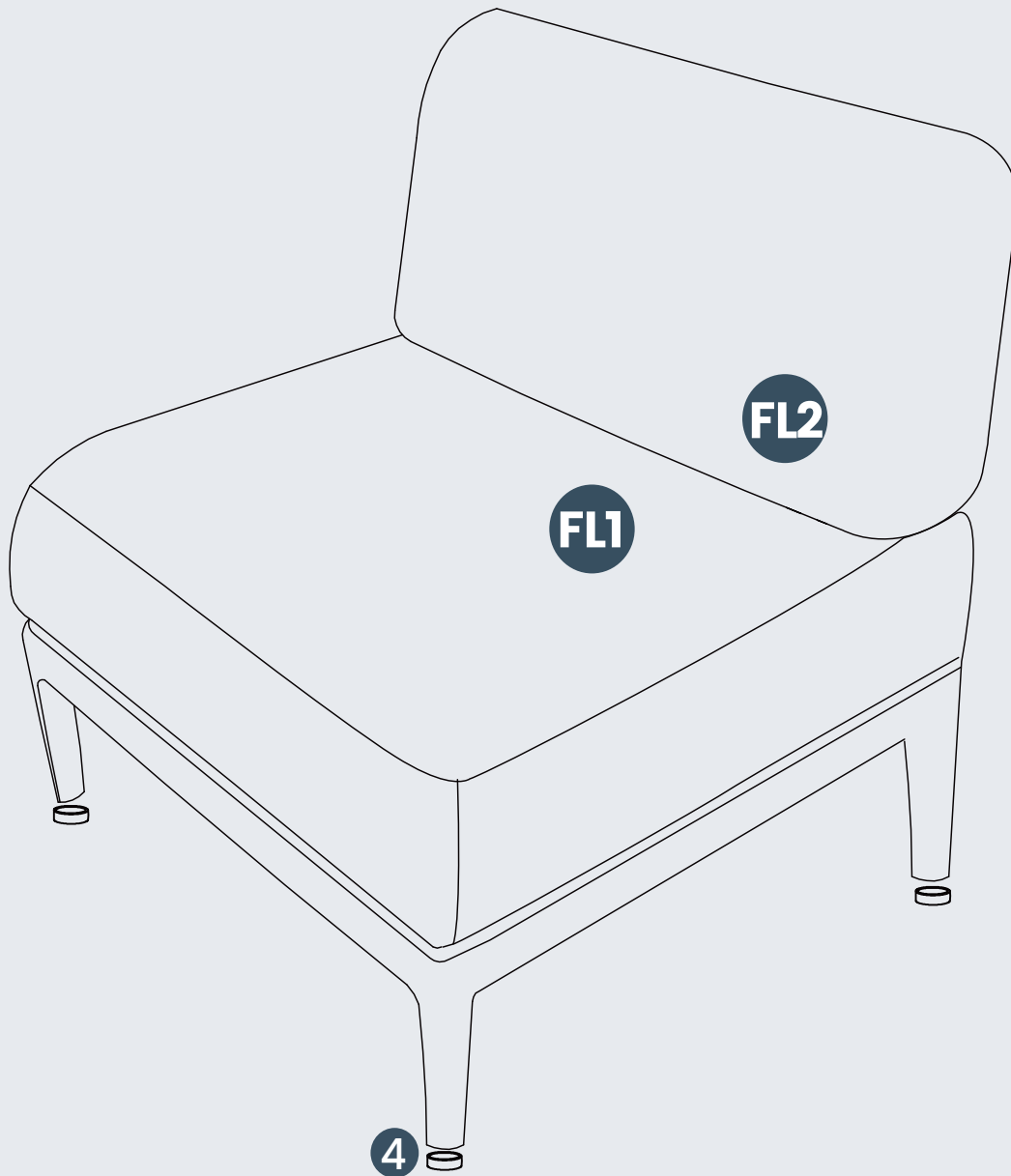


PRODUCT ASSEMBLY

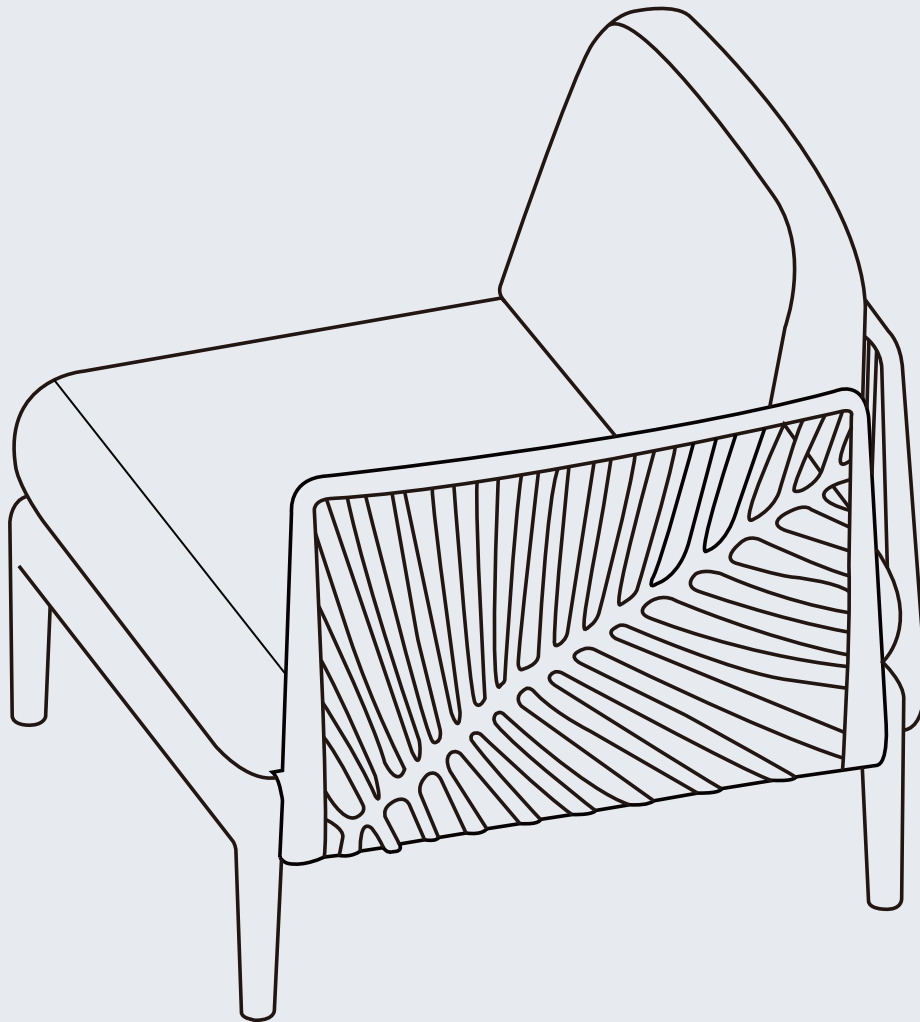
2

Insert 4pcs of **Hardware #4 Foot Nail** to the bottom of legs.
Put **Part FL1 Seat Cushion** and **Part FL2 Back Cushion** on the seat.

Now enjoy your chair.



INSTRUCTION MANUAL



Patio Deep Seating Right Arm Chair
with Cushions

! CARE & MAINTENANCE

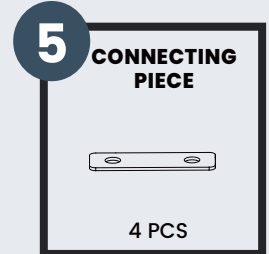
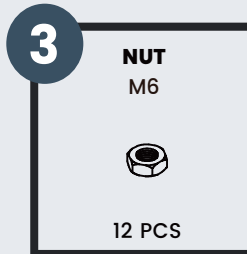
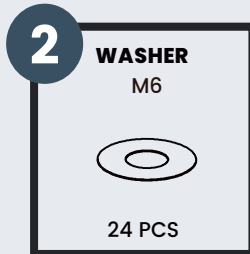
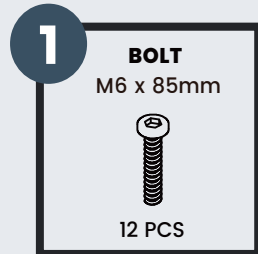
Do not overtighten screws. (Insert all screws before tightening screws)

- Be careful when assembling to avoid damaging the surface.
- Clean the chair with lukewarm water, mild detergent & soft cloth.
- Firmly secure all bolts before use. Do not use any part of this item as a step ladder.
- Make sure that all bolts, screws, and nuts are secure every 90 days
- Do not use or store this item in the proximity of open flame or flammable/combustible chemicals.
- Be aware that some parts are heavy and have sharp edges.
- Do not overtighten screws (insert all screws before tightening screws).

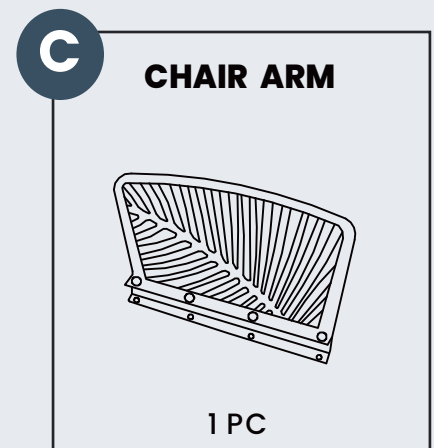
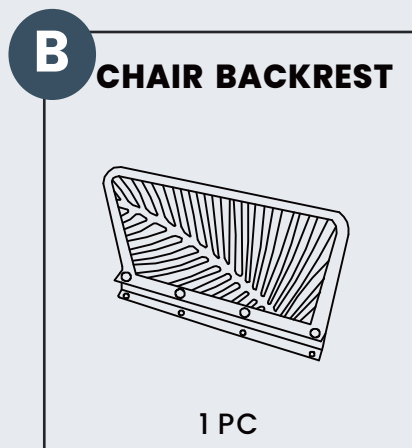
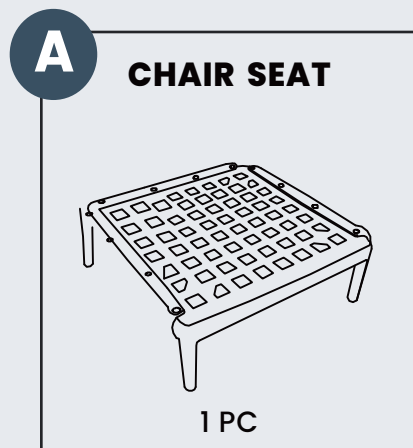
TOOLS REQUIRED



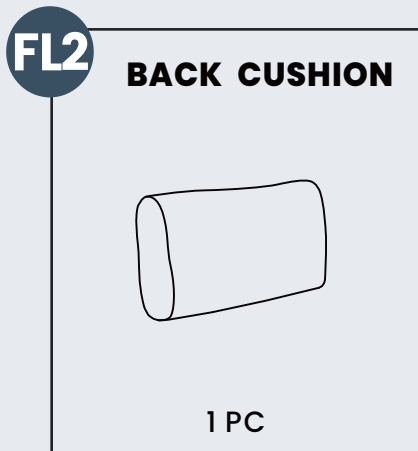
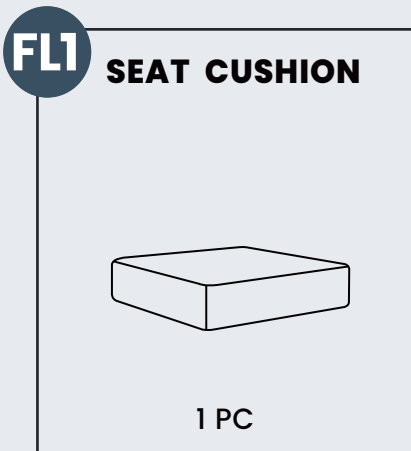
HARDWARE



PARTS

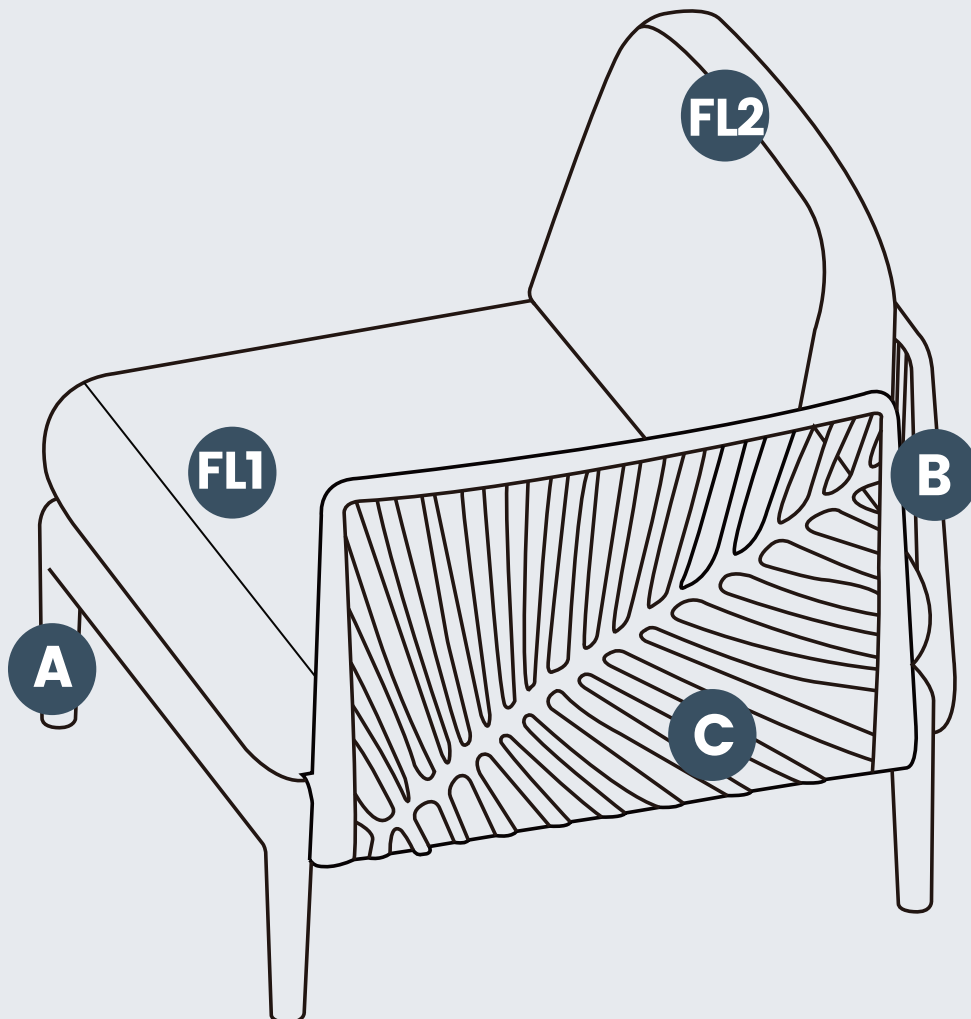


CUSHION



PRODUCT ASSEMBLY-OVERALL VIEW

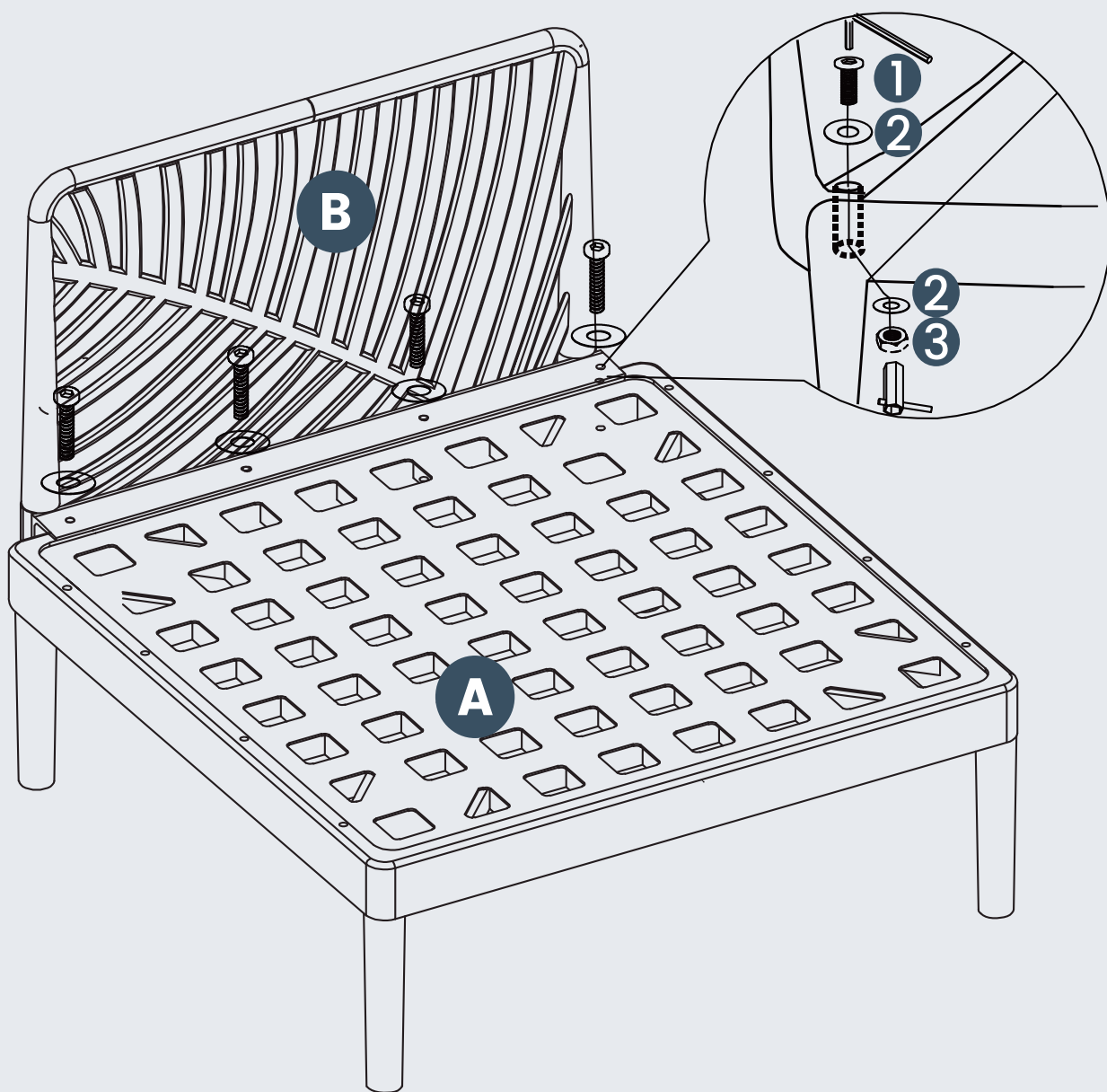
Look at following overall view of this chair and learn the exact position of each part to be assembled.



PRODUCT ASSEMBLY

1

Attach **Part B Backrest** to **Part A Chair Seat** with 4 sets of **Hardware (1pc of #1 Bolt + 2pc of #2 Washer + 1pc of #3 Nut)** by using Allen Wrench & Socket Wrench. Make sure to insert all bolts first, then tighten each one evenly to 100%.

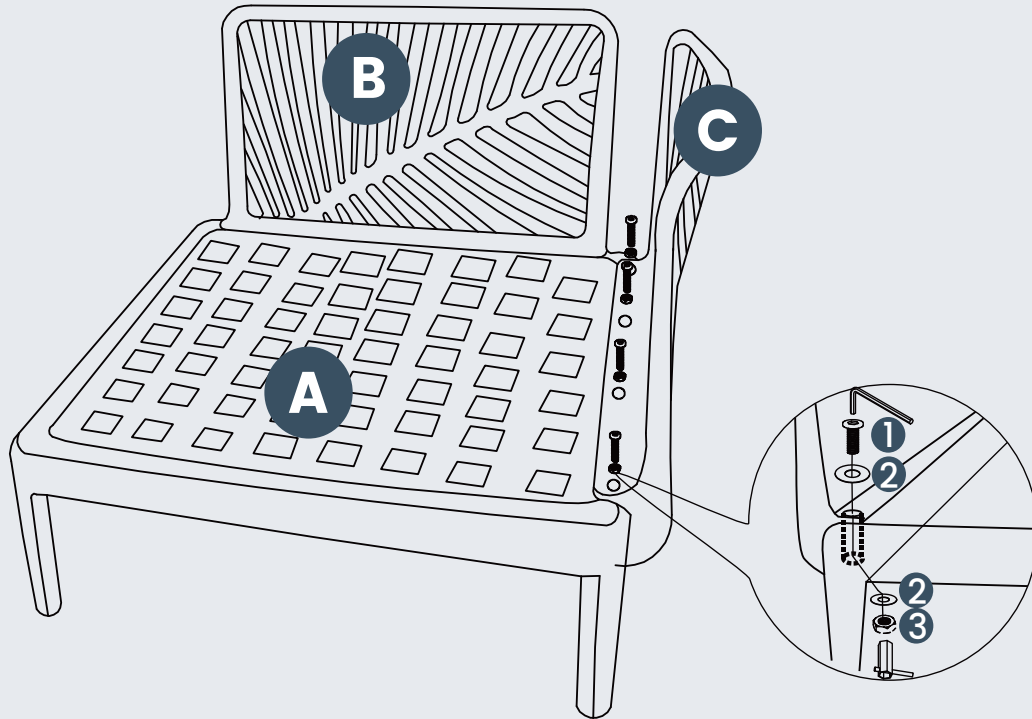


PRODUCT ASSEMBLY

2

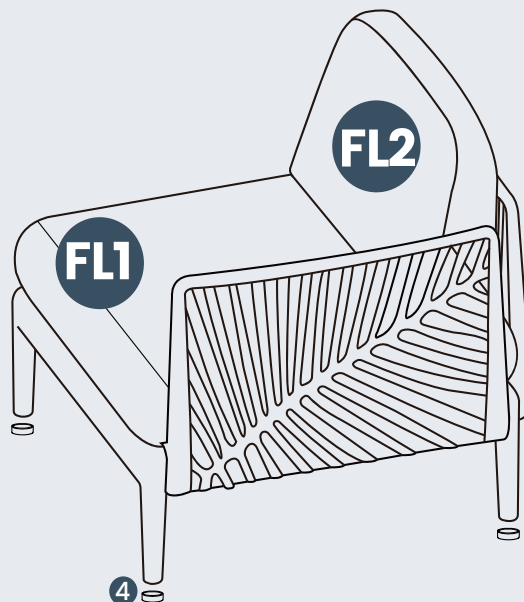
Attach 1pcs of **Part C Chair Arm** to **Part A Chair Seat** with 4 sets of **Hardware (1pc of #1 Bolt + 2pc of #2 Washer + 1pc of #3 Nut)** by using Allen Wrench & Socket Wrench.

Make sure to insert all bolts first, then tighten each one evenly to 100%.



3

Insert 4pcs of **Hardware #4 Foot Nail** to the bottom of legs.
Put **Part FL1 Seat Cushion** and **Part FL2 Back Cushion** on the seat.
Now enjoy your chair.



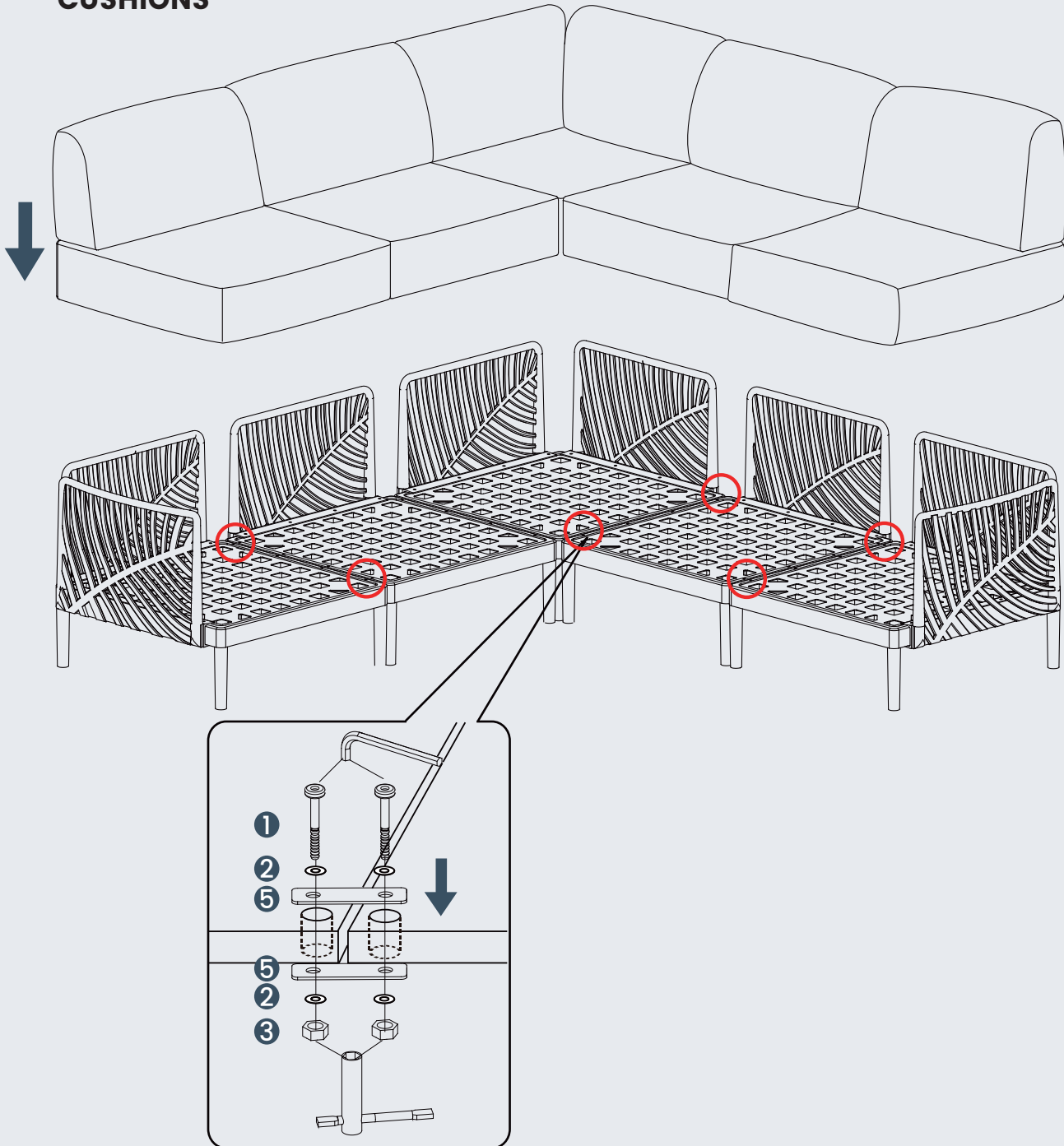
PRODUCT ASSEMBLY

4

Installation of sectional sofa is shown as below if you purchase a set of sofa.

There are two connecting holes on side of **Part A Chair Seat**. Use 1 set of **Hardware (2pcs of #5 Connecting Piece + 2pcs of #1 Bolt + 4pcs of #2 Washer + 2pcs of #3 Nut)** for each connecting hole to lock the chairs.

CUSHIONS



CLEANING TIPS

REGULAR CLEAN: Use a mixture of warm water and mild soap. Gently scrub the surface with a soft bristle brush to remove any dirt or stains.

QUICK CLEAN: You can simply wipe down the furniture with a damp cloth.

Regular cleaning not only preserves the aesthetic appeal of your furniture, but also helps extend its lifespan.