

AXOR Urquiola
Pressure Balance Trim
Finishes : **chrome** Part no. : **11408001**



Description

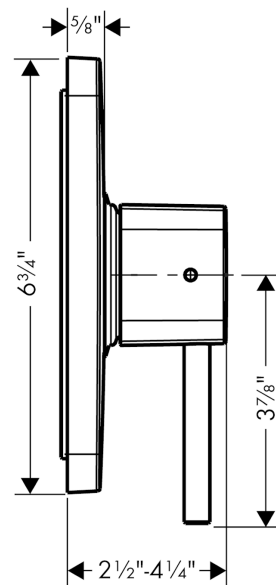
Features

- Flow: 5.44 GPM (20.6 L/Min)
- Integrated bypass for use with diverter tub spouts
- Temperature and on/off control for 1 outlet

Product image



Scale drawing

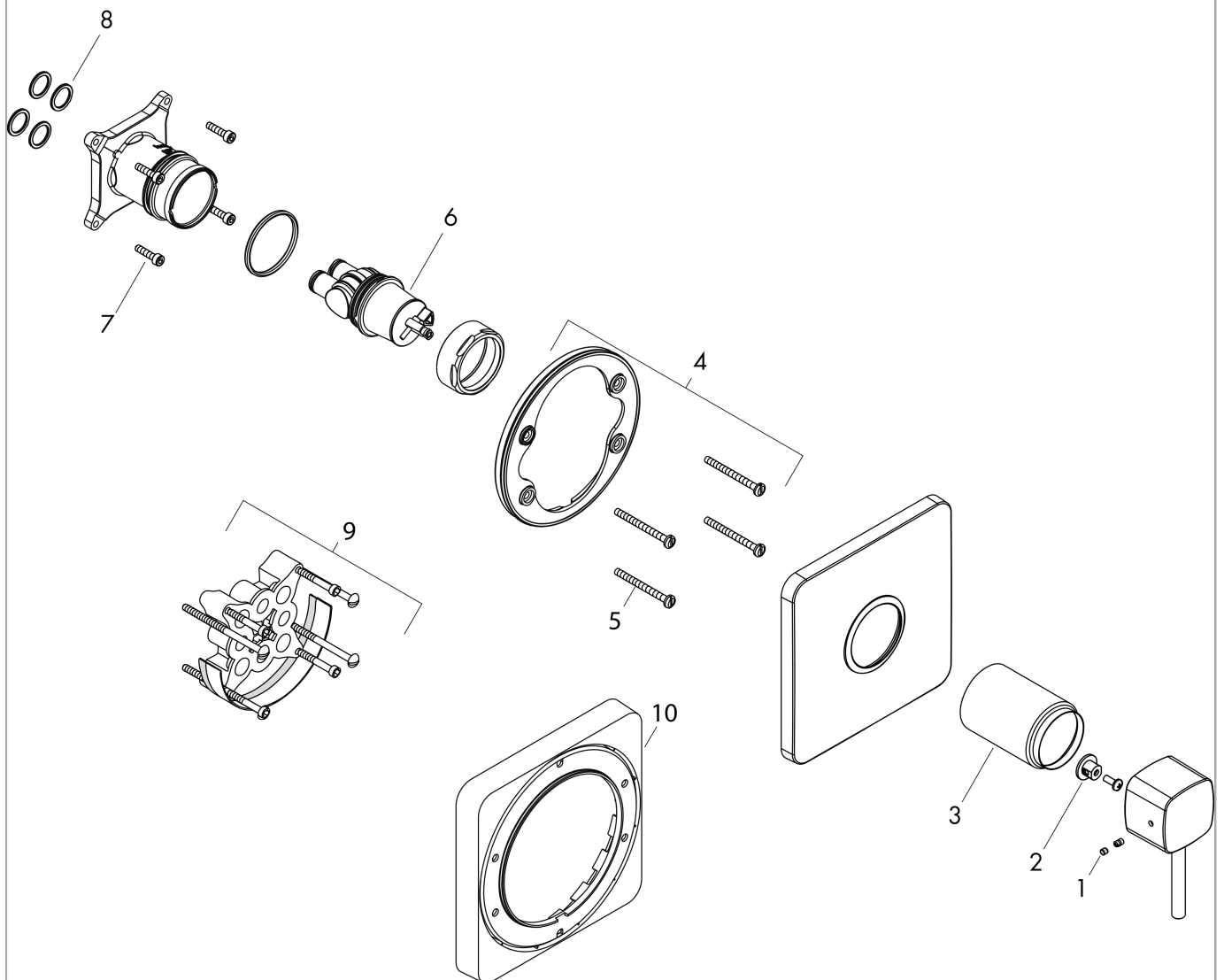


AXOR Urquiola
Pressure Balance Trim
Finishes : **chrome** Part no. : **11408001**



Exploded drawing

Year of production: >06/10



AXOR Urquiola
Pressure Balance Trim
 Finishes : **chrome** Part no. : **11408001**



Spare parts list

Year of production: >06/10

Pos.	Description	Part no.	PC	PU
1	screw cover	95181000	0	1
2	adapter for handle	92756000	0	1
3	sleeve	88765000	0	1
4	holder for escutcheon	98793000	0	1
5	set of fixing screws	96454000	0	1
6	cartridge, assy	88727000	0	1
7	set of screws	96525000	0	1
8	O-ring 16x2	98133000	0	1
9	extension 25 mm	13595000	0	1
10	extension 22 mm	98860000	0	1
a	base body	01850181	0	1
b	escutcheon	88780000	0	1