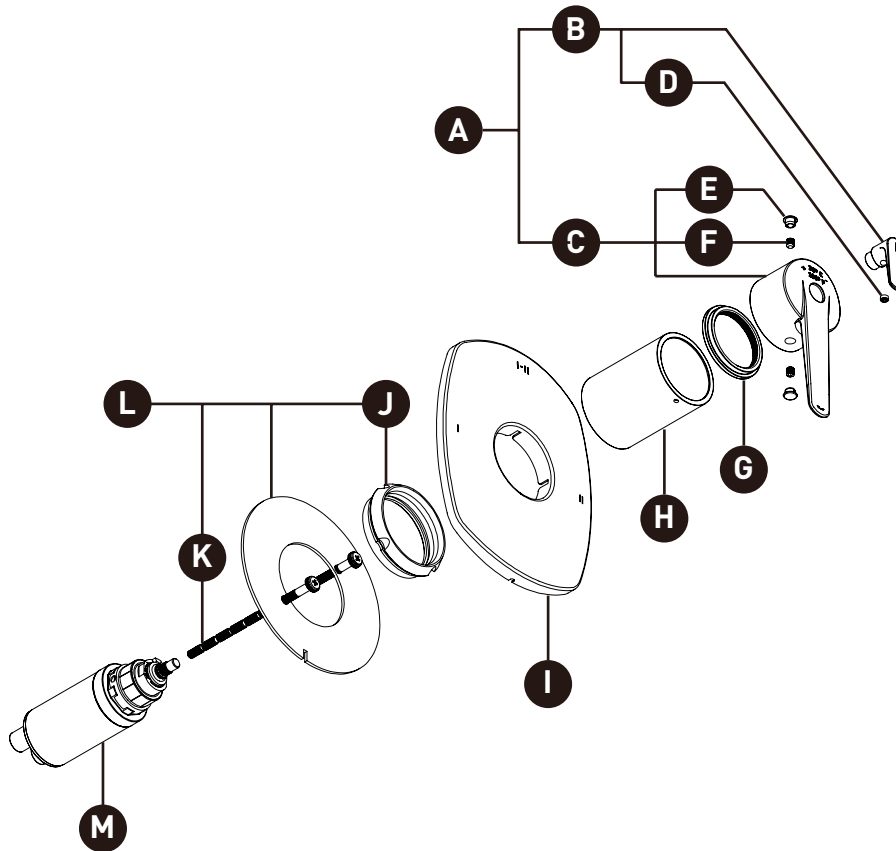


ORDER BY PART NUMBER

## ILLUSTRATED PARTS

### TVY23

2-way Type T/P Coaxial Valve Trim



ID	Kit Number	Finish
*A	1659	See below
B	1956	N/A
*C	1952	See below
D	152-030	N/A
*E	003-421 (2x)	See below
F	152-050 (2x)	N/A
*G	052-071	See below
*H	053-004	See below
*I	S213292C	See below
J	302-414	N/A
K	392-207 (2x)	N/A
L	S5-948	N/A
M	0924	N/A

*Finish Determined by Suffix	
Finish	Description
C	Chrome

For warranty or additional information, contact:

US Customers

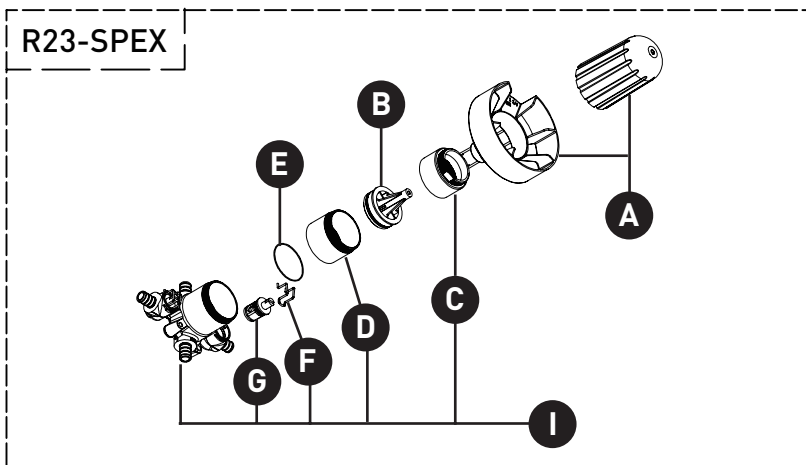
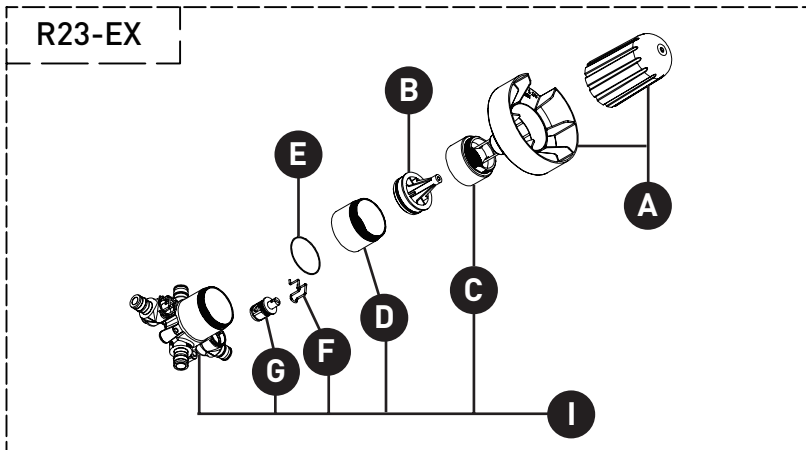
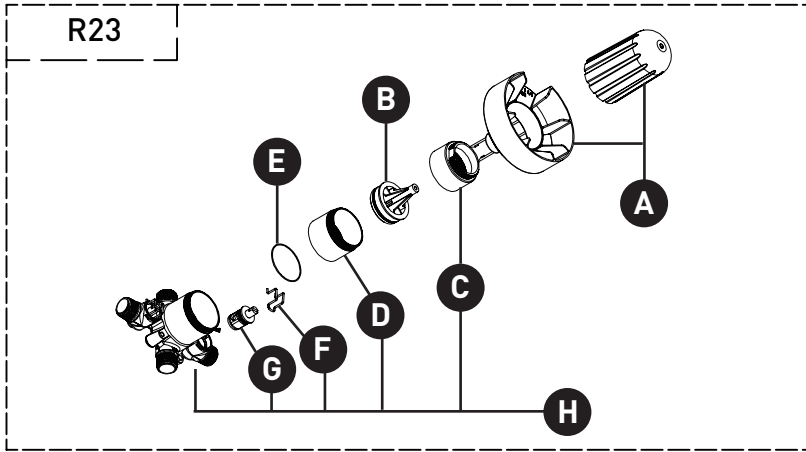
U.S.A.  
houseofrohl.com/support  
1-800-777-9762

Canadian Customers

QUEBEC / MARITIMES / WESTERN CANADA  
QUÉBEC / MARITIMES / OUEST CANADIEN  
QUEBEC / MARITIMOS / CANADA OCCIDENTAL  
houseofrohl.ca/support  
1-866-473-8442

ONTARIO  
houseofrohl.ca/support  
1-800-287-5354

## ORDER BY PART NUMBER



## ILLUSTRATED PARTS

### R23

Type T/P coaxial valve rough without cartridge

ID	Kit Number	Finish
A	0908	N/A
B	7511	N/A
C	305-441	N/A
D	039-516	N/A
E	210-400	N/A
F	390-127 (x2)	N/A
G	7441 (x2)	N/A
H	0123	N/A
I	0123-EX	N/A
J	0123-SPEX	N/A

For warranty or additional information, contact:

US Customers

U.S.A.  
houseofrohl.com/support  
1-800-777-9762

Canadian Customers

QUEBEC / MARITIMES / WESTERN CANADA  
QUÉBEC / MARITIMES / OUEST CANADIEN  
QUEBEC / MARITIMOS / CANADA OCCIDENTAL  
houseofrohl.ca/support  
1-866-473-8442

ONTARIO  
houseofrohl.ca/support  
1-800-287-5354

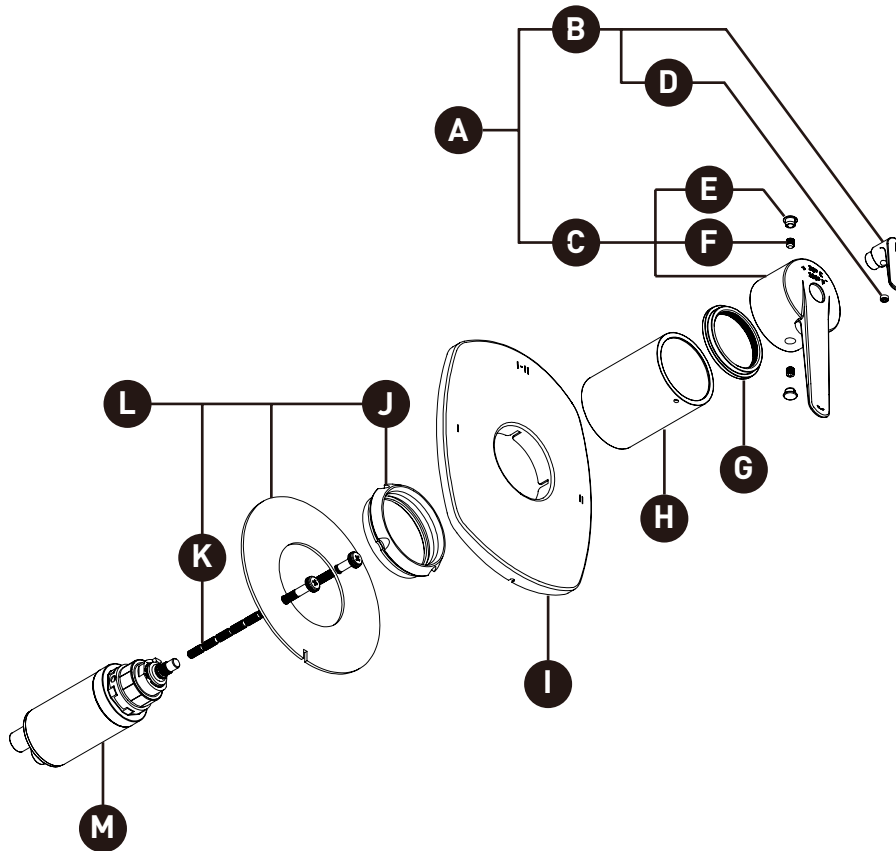
VEUILLEZ EFFECTUER VOTRE COMMANDE  
PAR NO DE RÉFÉRENCE

## ILLUSTRATIONS DES PIÈCES

### TVY23

Garniture pour valve 2 voies coaxiale Type T/P

ID	Référence du kit	Finition
*A	1659	See below
B	1956	N/A
*C	1952	See below
D	152-030	N/A
*E	003-421 (2x)	See below
F	152-050 (2x)	N/A
*G	052-071	See below
*H	053-004	See below
*I	S213292C	See below
J	302-414	N/A
K	392-207 (2x)	N/A
L	S5-948	N/A
M	0924	N/A



<b>*Finition déterminée par le Suffixe</b>	
<u>Finition</u>	<u>Description</u>
C	Chrome poli

For warranty or additional information, contact:

US Customers

U.S.A.  
houseofrohl.com/support  
1-800-777-9762

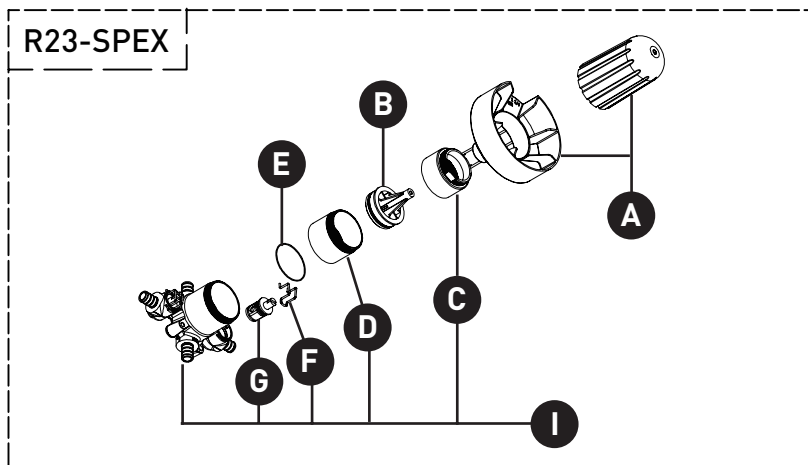
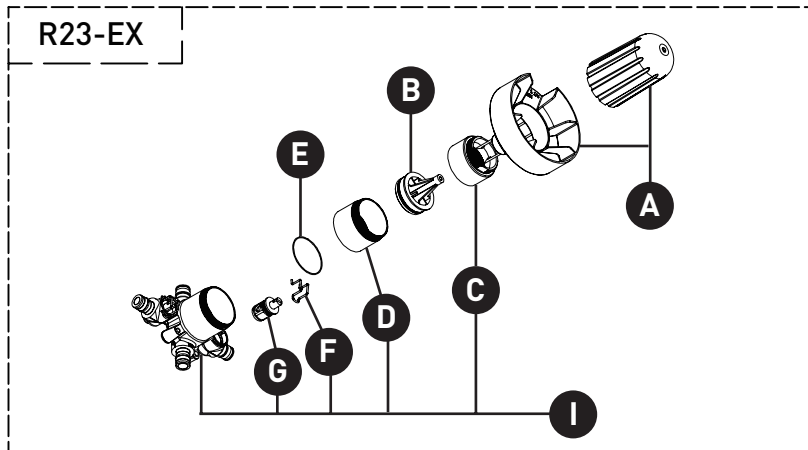
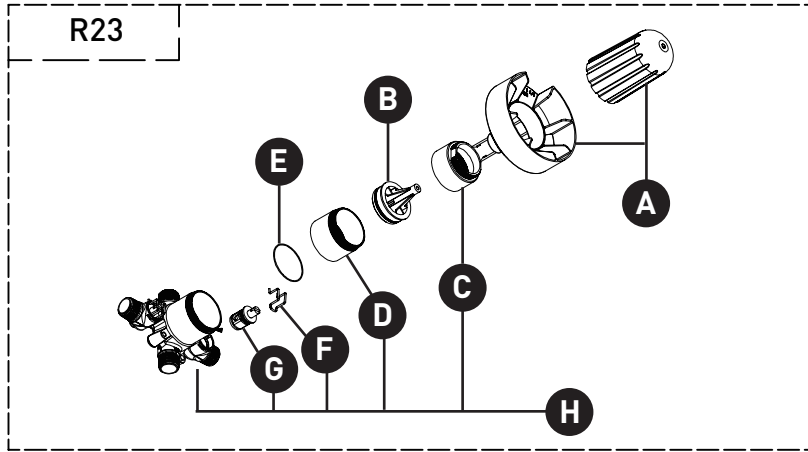
Canadian Customers

QUEBEC / MARITIMES / WESTERN CANADA  
QUÉBEC / MARITIMES / OUEST CANADIEN  
QUEBEC / MARITIMOS / CANADA OCCIDENTAL  
houseofrohl.ca/support  
1-866-473-8442

ONTARIO  
houseofrohl.ca/support  
1-800-287-5354

VEUILLEZ EFFECTUER VOTRE COMMANDE  
PAR NO DE RÉFÉRENCE

## ILLUSTRATIONS DES PIÈCES



### R23

Brut de valve 2 voies coaxiale Type T/P

ID	Référence du kit	Finition
A	0908	N/A
B	7511	N/A
C	305-441	N/A
D	039-516	N/A
E	210-400	N/A
F	390-127 (x2)	N/A
G	7441 (x2)	N/A
H	0123	N/A
I	0123-EX	N/A
J	0123-SPEX	N/A

For warranty or additional information, contact:

US Customers

U.S.A.  
houseofrohl.com/support  
1-800-777-9762

Canadian Customers

QUEBEC / MARITIMES / WESTERN CANADA  
QUÉBEC / MARITIMES / OUEST CANADIEN  
QUEBEC / MARITIMOS / CANADA OCCIDENTAL  
houseofrohl.ca/support  
1-866-473-8442

ONTARIO  
houseofrohl.ca/support  
1-800-287-5354

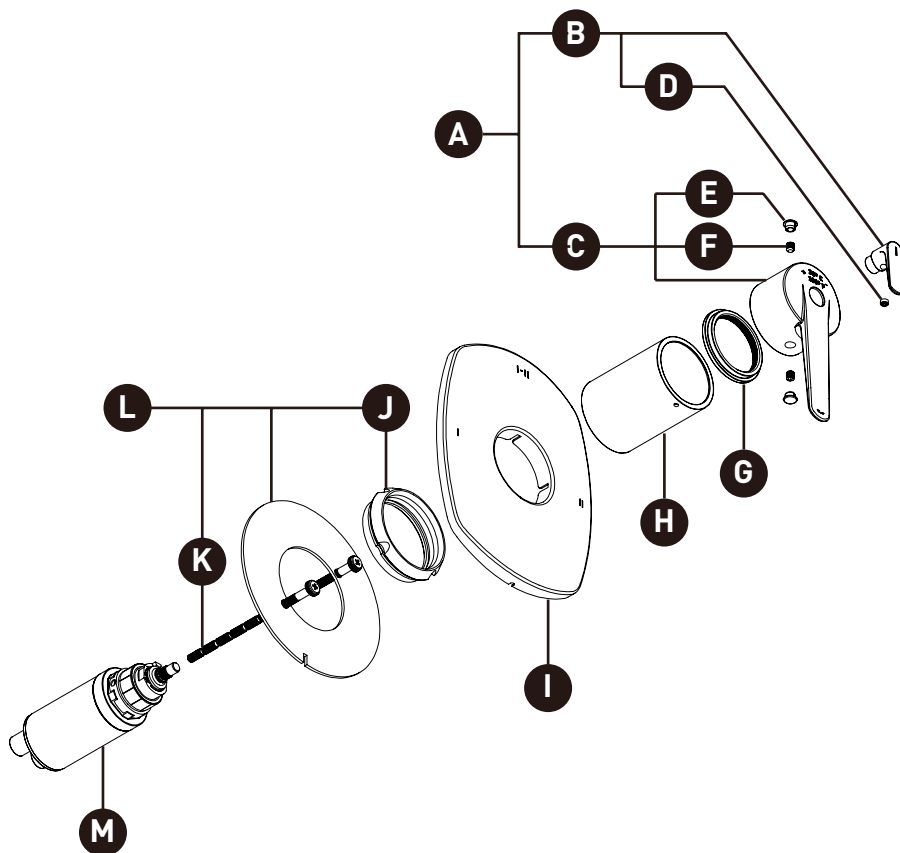
PEDIR POR NÚMERO DE REFERENCIA

## PIEZAS ILUSTRADAS

### TVY23

Internos de válvula coaxial tipo T/P 2 vías

ID	Referencia del kit	Acabado
*A	1659	See below
B	1956	N/A
*C	1952	See below
D	152-030	N/A
*E	003-421 (2x)	See below
F	152-050 (2x)	N/A
*G	052-071	See below
*H	053-004	See below
*I	S213292C	See below
J	302-414	N/A
K	392-207 (2x)	N/A
L	S5-948	N/A
M	0924	N/A



<b>*Acabado determinado por el sufijo</b>	
<u>Acabado</u>	<u>Descripción</u>
C	Cromado brillante

For warranty or additional information, contact:

US Customers

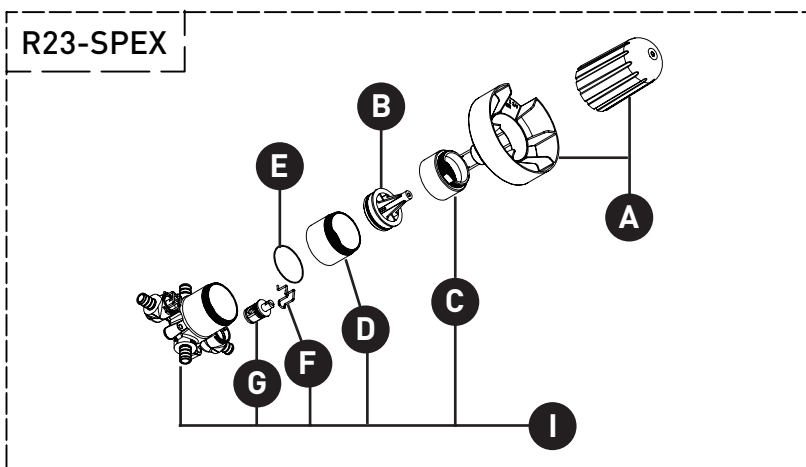
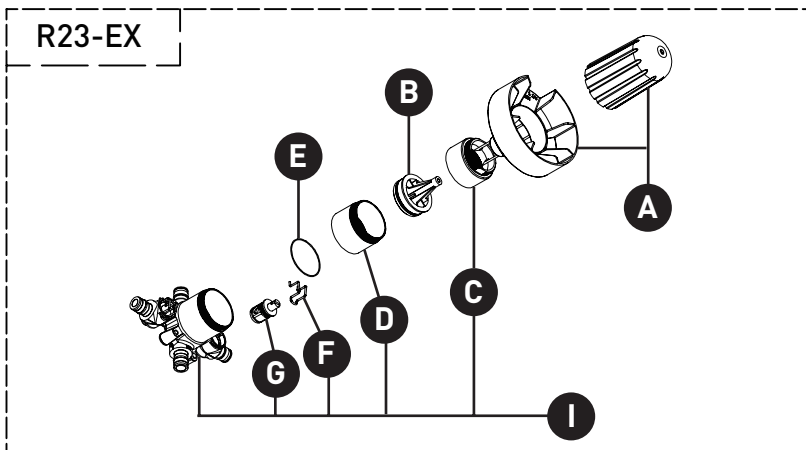
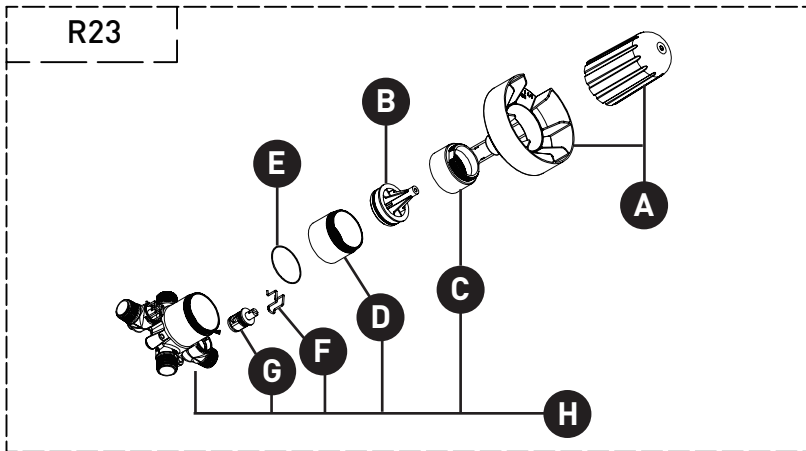
U.S.A.  
houseofrohl.com/support  
1-800-777-9762

Canadian Customers

QUEBEC / MARITIMES / WESTERN CANADA  
QUÉBEC / MARITIMES / OUEST CANADIEN  
QUEBEC / MARITIMOS / CANADA OCCIDENTAL  
houseofrohl.ca/support  
1-866-473-8442

ONTARIO  
houseofrohl.ca/support  
1-800-287-5354

PEDIR POR NÚMERO DE REFERENCIA



## PIEZAS ILUSTRADAS

### R23

Válvula coaxial tipo T/P de 2 vías con tubo

ID	Referencia del kit	Acabado
A	0908	N/A
B	7511	N/A
C	305-441	N/A
D	039-516	N/A
E	210-400	N/A
F	390-127 (x2)	N/A
G	7441 (x2)	N/A
H	0123	N/A
I	0123-EX	N/A
J	0123-SPEX	N/A

For warranty or additional information, contact:

US Customers

U.S.A.  
houseofrohl.com/support  
1-800-777-9762

Canadian Customers

QUEBEC / MARITIMES / WESTERN CANADA  
QUÉBEC / MARITIMES / QUÉST CANADIEN  
QUEBEC / MARITIMOS / CANADA OCCIDENTAL  
houseofrohl.ca/support  
1-866-473-8442

ONTARIO  
houseofrohl.ca/support  
1-800-287-5354