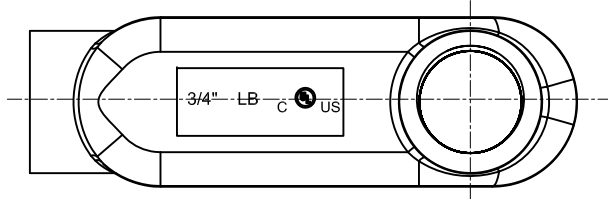
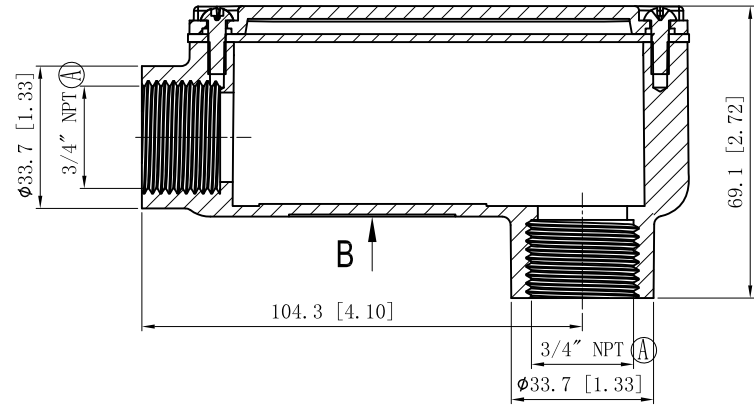


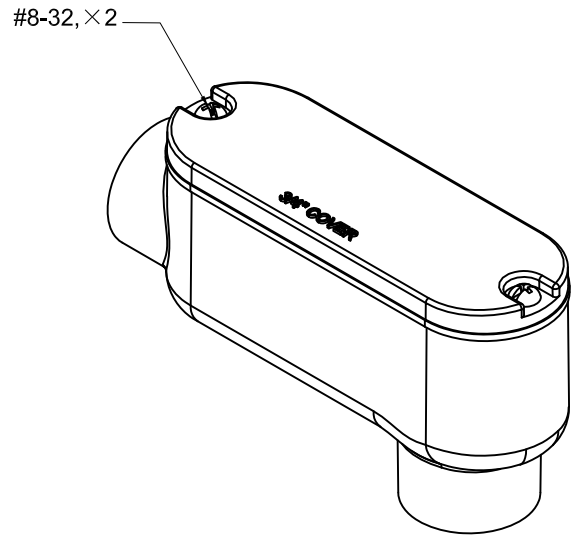
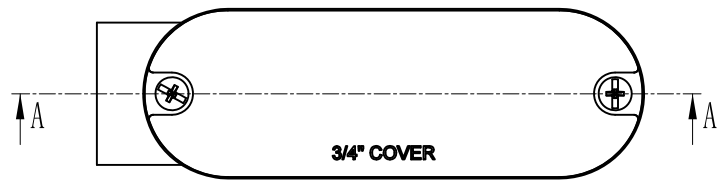
SIDES	BOTTOM
2 PCS 8-32×1/2 Screws Installed	
Material: Aluminum - Powder Coating Silver Grey	



VIEW B



CUTAWAY VIEW A-A



This data sheet is for reference only .GARVIN INDUSTRIES reserves the right to make changes to the design without prior notice.

DESCRIPTION
TRADE REFERENCE TERMS

STANDARD PACKING
10/40 PCS

TITLE			GARVIN INDUSTRIES	
TITLE			"LB" ALUMINUM CONDUIT BODY	
SIZE	DWG NO.	LB75		REV
A4		DATA SHEET		B