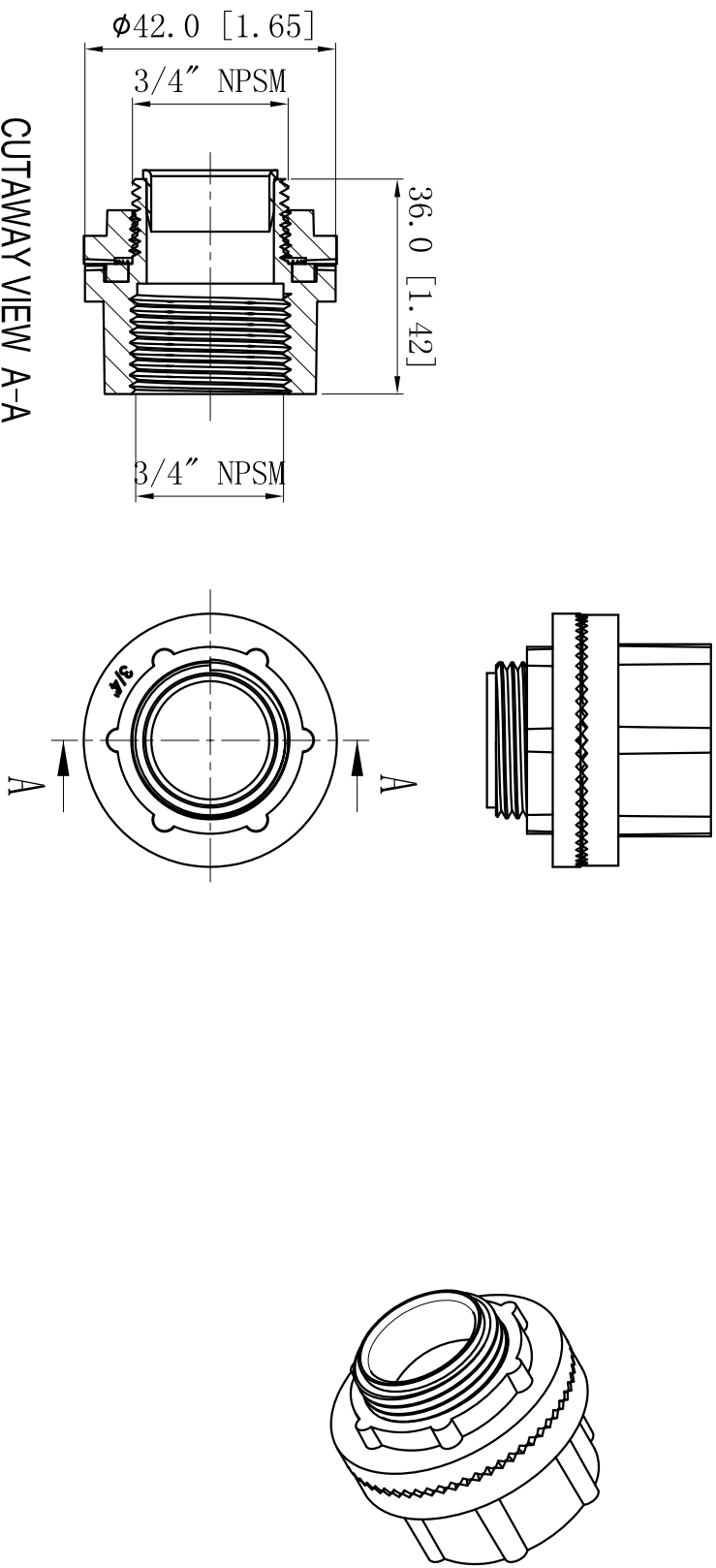


SIDES	BOTTOM

Material : 316 Stainless steel



DESCRIPTION

This data sheet is for reference only. GARVIN INDUSTRIES reserves the right to make changes to the design without prior notice.

STANDARD PACKING

GARVIN INDUSTRIES

10 PCS

WATERTIGHT HUB (INSULATED THROAT)

TRADE REFERENCE TERMS

SIZE A4

DWG NO.

WH75-SS

REV

DATA SHEET