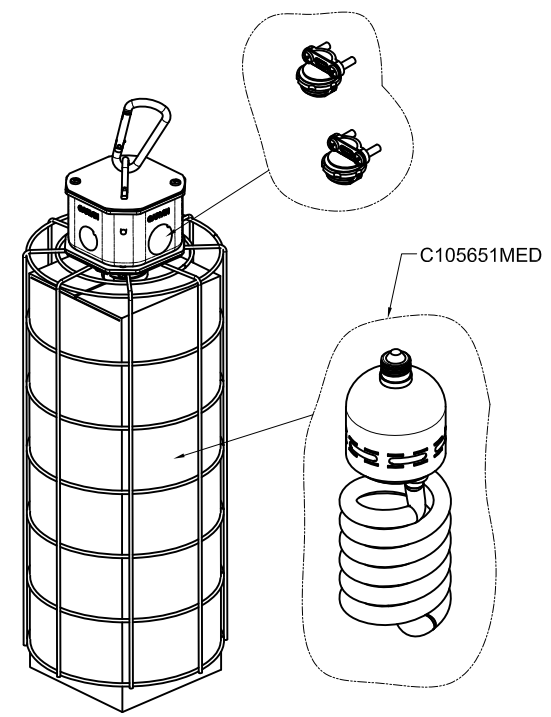
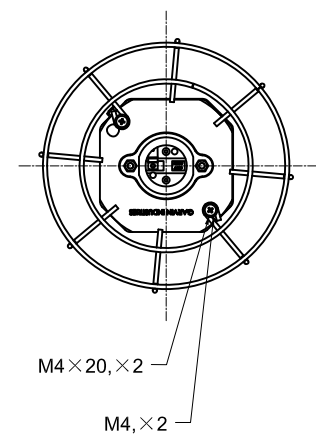
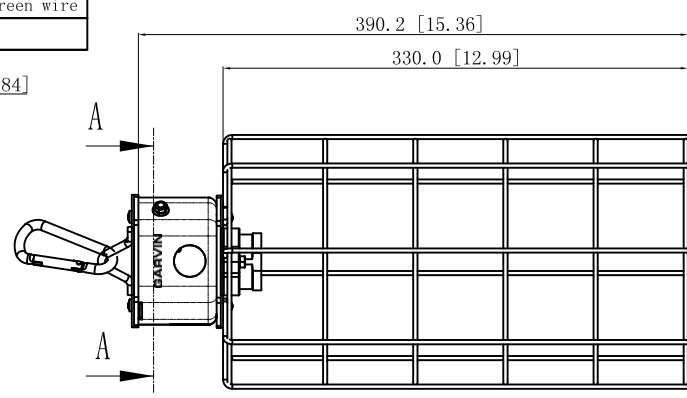
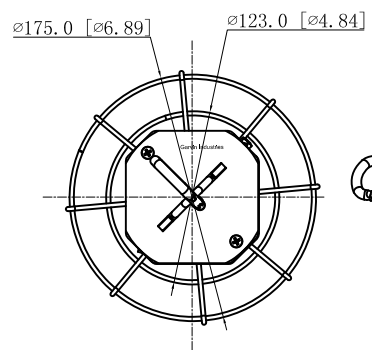
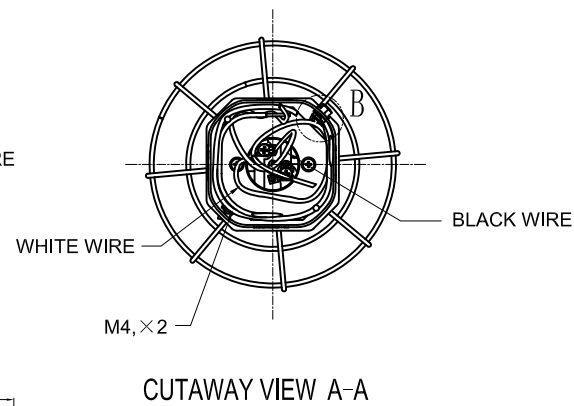
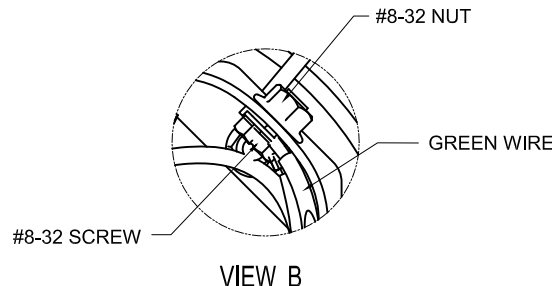


SIDES	BOTTOM
2 1/2" KNOCKOUTS	
2 1/2" KNOCKOUTS	
2 PCS M4×6 Screws Installed	
2 PCS M4×20 Screws Installed	
#8-32×1/4 Green Screws Installed	
2 PCS M4 Hex nut	
2 PCS M4 Flat washer	
#8-32 hex flange nut ,green zinc plated	
Material:Steel-0.0625"-G60 Galvanized	
Wire 6" long Bx/Mc 12GA stranded White stranded	
Wire 6" long Bx/Mc 12GA stranded Black stranded	
12AWG 8" long solid wire with both edn stripped ,green wire put lamps in cage	



DESCRIPTION
TRADE REFERENCE TERMS

STANDARD PACKING
1 PCS

This data sheet is for reference only .GARVIN INDUSTRIES reserves the right to make changes to the design without prior notice.			
<h1>GARVIN INDUSTRIES</h1>			
TITLE			
SIZE	DWG NO.		REV
A4		TL105CF	
DATA SHEET			