



**Middleton®**  
33" top-mount double-bowl kitchen sink  
**14707-4**

**Features**

- Four faucet holes
- 7" depth
- 3-5/8" (92 mm) drain opening
- Satin finish

**Material**

- Premium 21-gauge stainless steel

**Installation**

- Top-mount

**Recommended Products/Accessories**

- 11861 Sink Rack
- 7400 Stainless Steel Sink Drain and Strainer
- K-6039 Sink Rack
- K-23729 Stainless steel cleaner

**Included Components**

- 1279210 12 Count Installation Clips

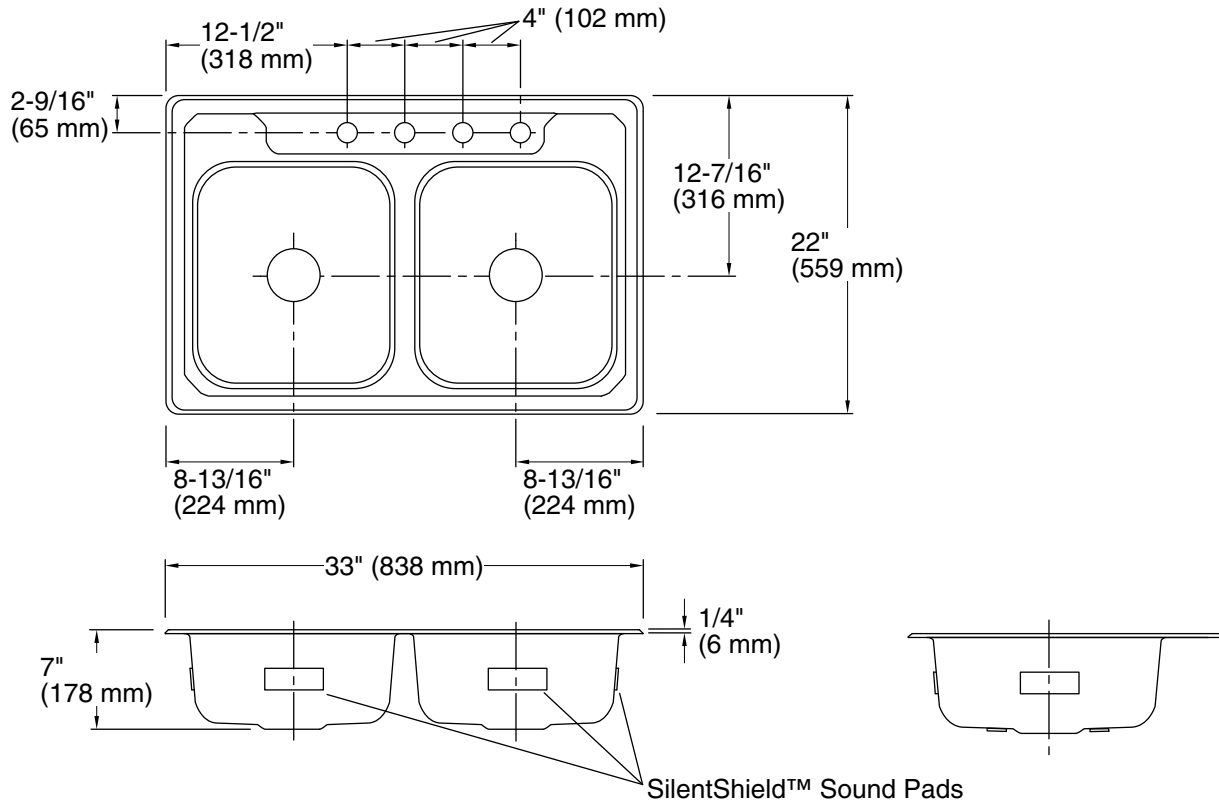


**Codes/Standards**

ASME A112.19.3/CSA B45.4

**STERLING® Stainless Steel Sinks  
Lifetime Limited Warranty**

See website for detailed warranty information.



### Technical Information

All product dimensions are nominal.

Basin configuration:	Equal Bowls
Cutout:	Top-mount, 32-1/2" x 21-1/2" (826 mm x 546 mm) with 1/2" (13 mm) radius corners
Min. base cabinet width:	36" (914 mm)
Bowl area (Left):	Length: 14" (356 mm) Width: 15-1/8" (384 mm) Bowl depth: 7" (178 mm) Water depth: 7" (178 mm)
Bowl area (Right):	Length: 14" (356 mm) Width: 15-1/8" (384 mm) Bowl depth: 7" (178 mm) Water depth: 7" (178 mm)
Number of deck holes:	4
Faucet hole(s):	1-7/16" (37 mm)
Drain hole:	3-5/8" (92 mm)

### Notes

Install this product according to the installation instructions.

Measure your actual product for roughing-in details.