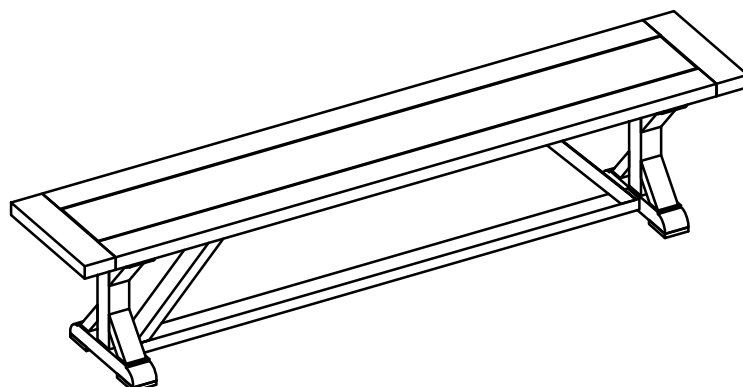


# CAMERON BENCH ASSEMBLY INSTRUCTIONS

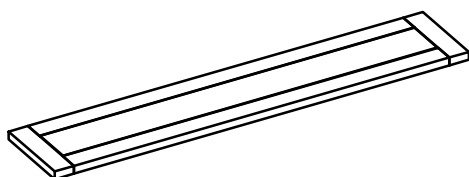
**MFI** MODUS  
FURNITURE  
INTERNATIONAL



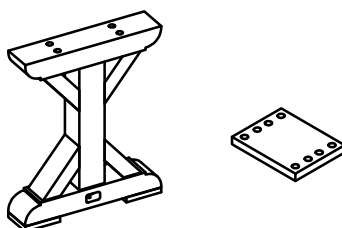
## HARDWARE ENCLOSED IN BOX

NO.	DESCRIPTION	ILLUSTRATION	SIZE	QTY.
①	Allen BOLT		M6 x 30 mm	20
②	FLAT WASHER		M6	20
③	ALLEN KEY		M6 x 60 mm	1

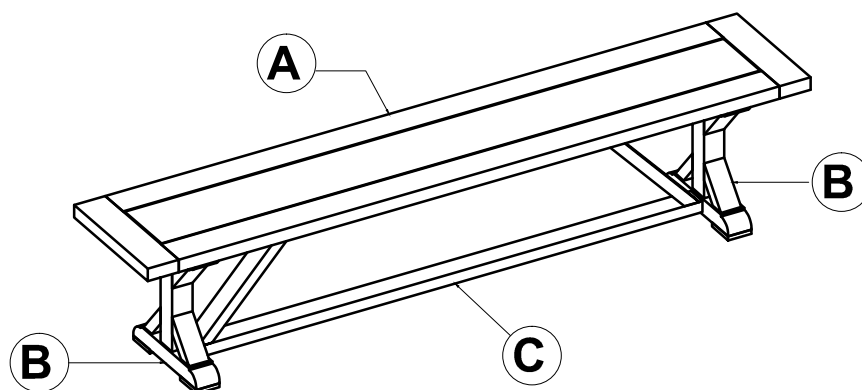
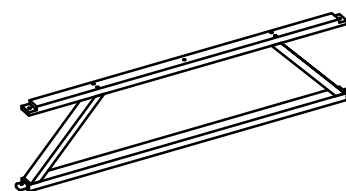
### Ⓐ TOP: 1PC



### Ⓑ LEGS: 2PCS



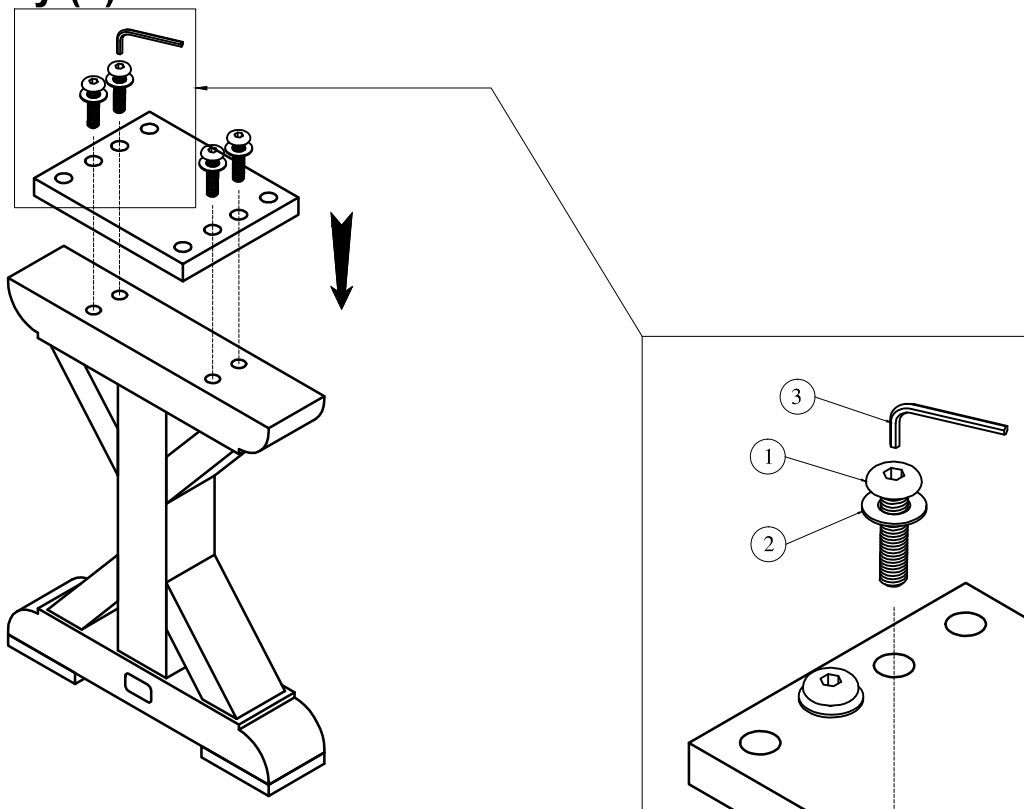
### Ⓒ STRETCH 1PC



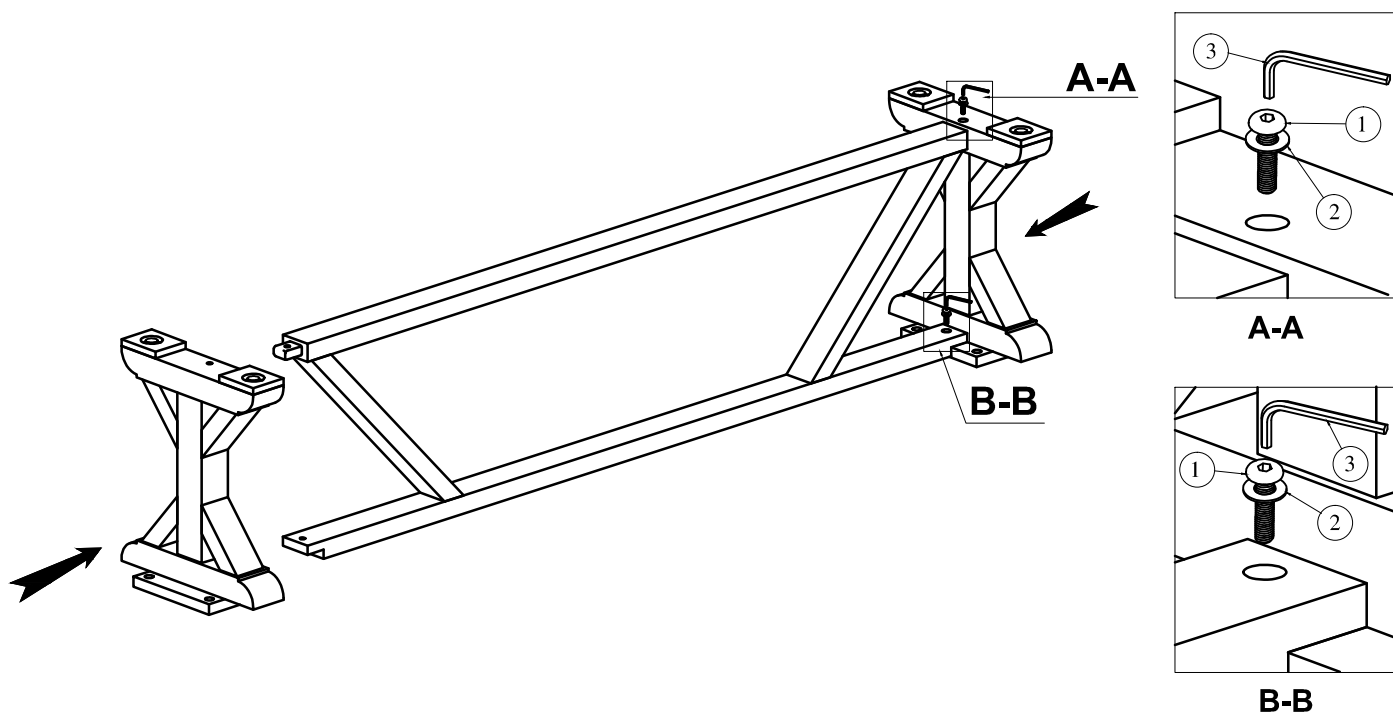
# CAMERON BENCH ASSEMBLY INSTRUCTIONS

**MFI** MODUS  
FURNITURE  
INTERNATIONAL

**STEP 1: Fasten the bench legs (B) with allen bolts (1) and flat washers (2) using allen key (3)**



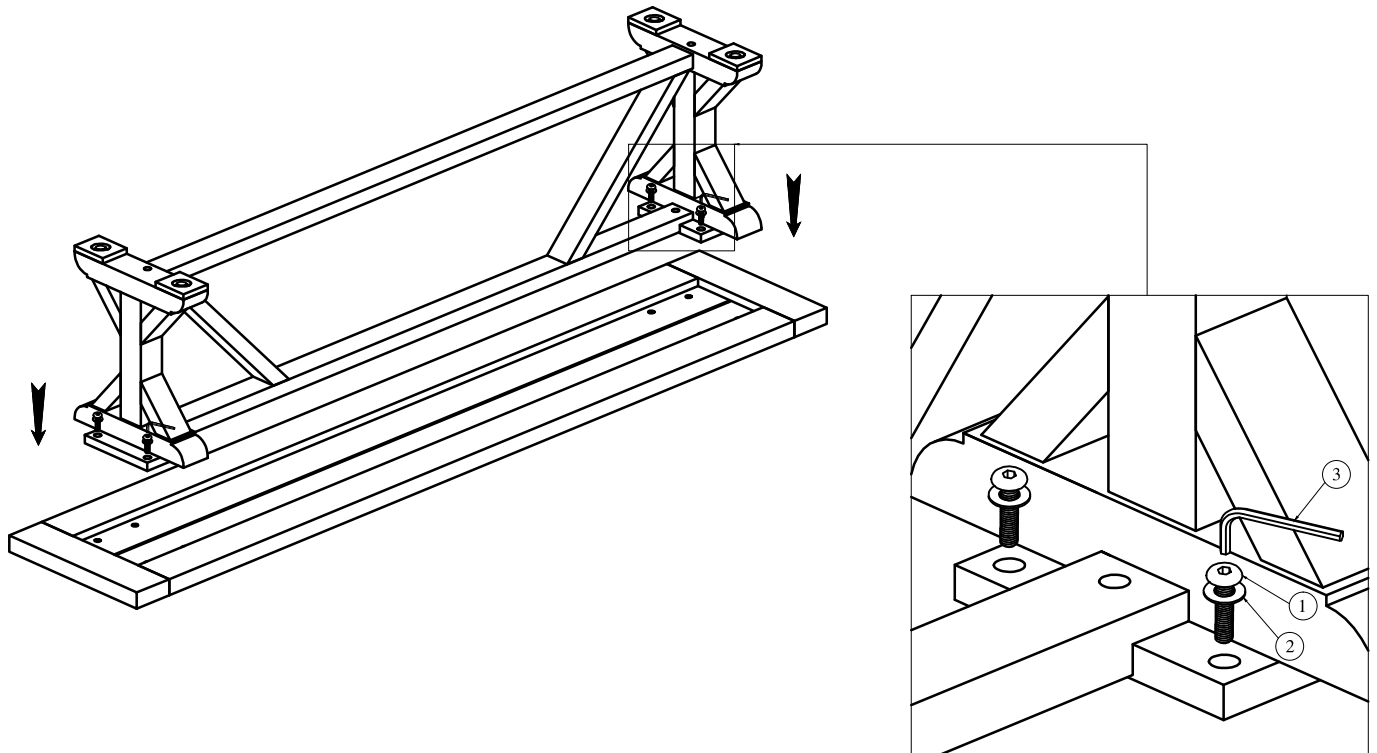
**STEP 1: Fasten the bench legs (B) to stretch with allen bolts (1) and flat washers (2) using allen key (3).**



# CAMERON BENCH ASSEMBLY INSTRUCTIONS

**MFI** MODUS  
FURNITURE  
INTERNATIONAL

**STEP 3: Fasten the bench legs (B), stretch (C) to the bench top (A) with allen bolts (1) and flat washers (2) using allen key (3)**



MAKE SURE ALL BOLTS ARE TIGHTENED THEN TURN TABLE RIGHTSIDE UP.  
ASSEMBLY IS COMPLETE.

