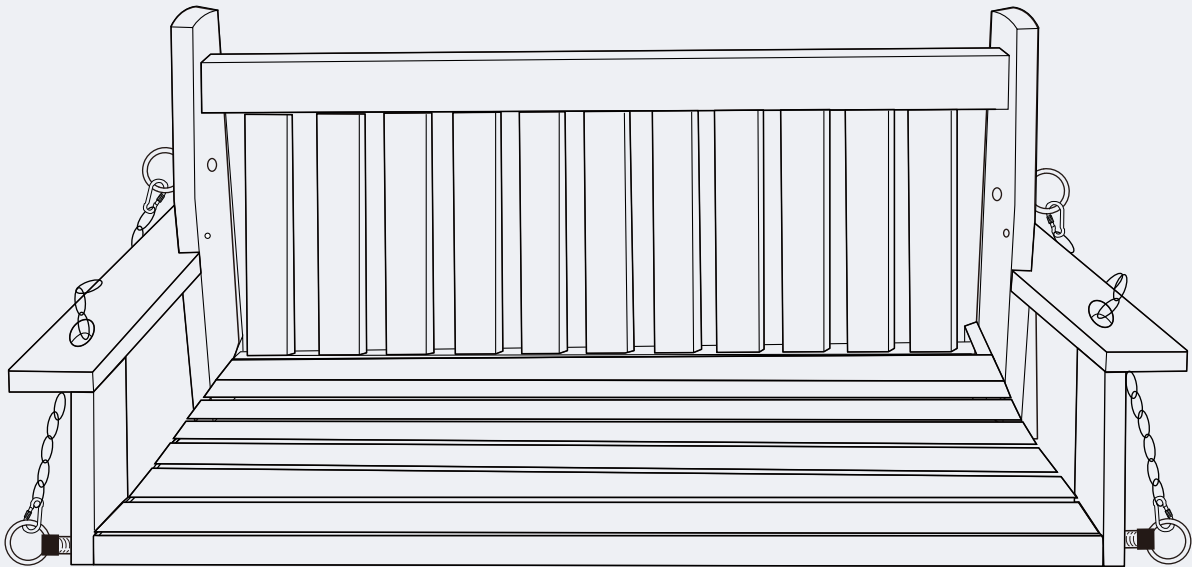


# INSTRUCTION MANUAL



Poly 51" Porch Swing

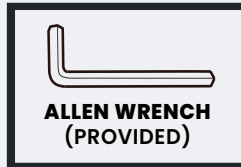
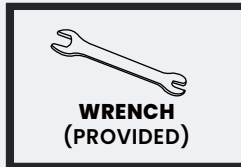
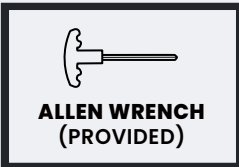
V1.0

## ! CARE & MAINTENANCE

### Please keep this instruction for your future reference.

- Be careful when assembling, avoid hurting the plating of the surface.
- Clean the chair with lukewarm water, mild detergent & soft cloth.
- Firmly secure all bolts before use, do not use any part of this item as a step ladder.
- Reconfirm that all bolts, screws, and nuts are secure every 90 days..
- Do not use or store this item in the proximity of open flame or glammable/combustible chemicals.
- Be aware that some parts are heavy and have sharp edges.
- Do not overtighten screws (insert all screws before tighten screws).

## TOOLS REQUIRED



**SWING  
500 LBS  
CAPACITY**

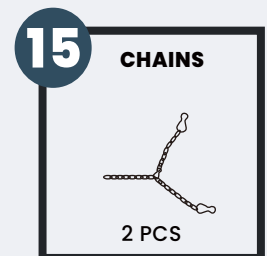
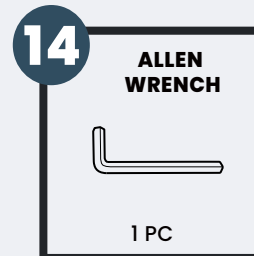
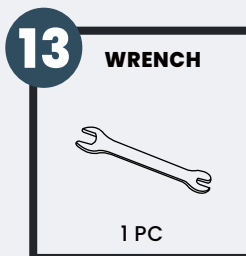
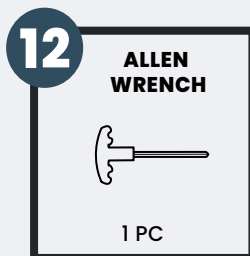
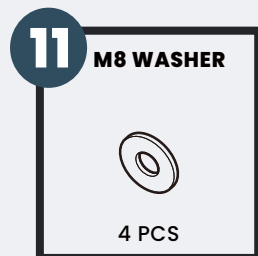
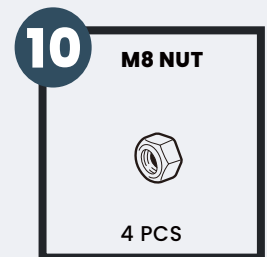
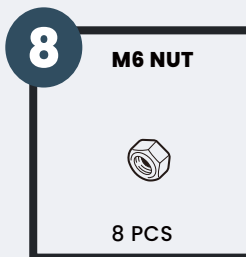
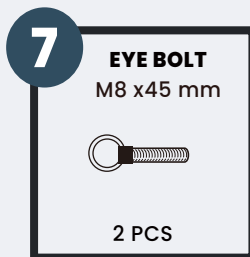
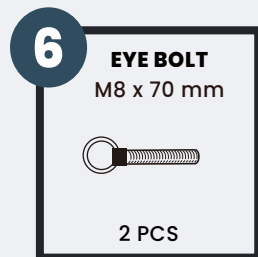
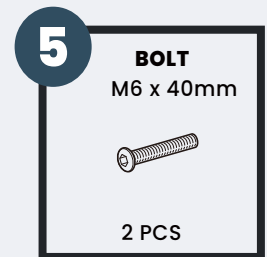
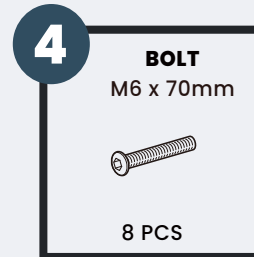
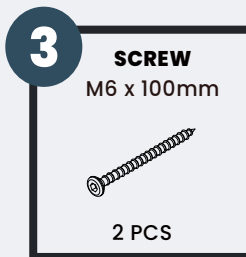
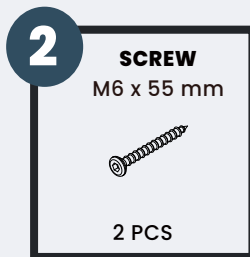
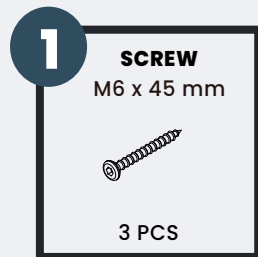


**2 PERSONS  
ASSEMBLY**

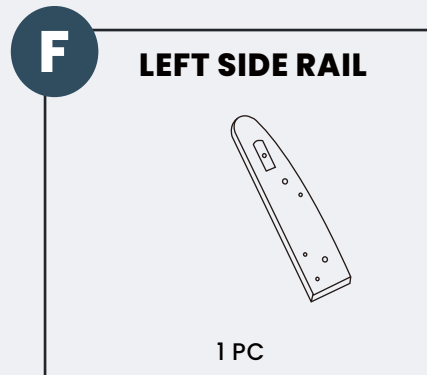
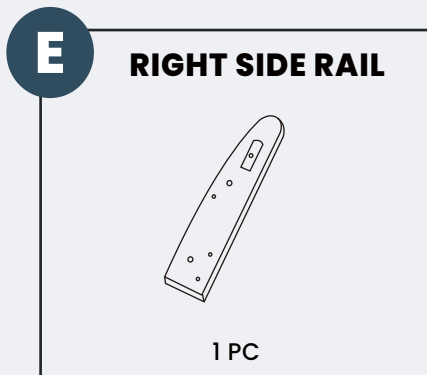
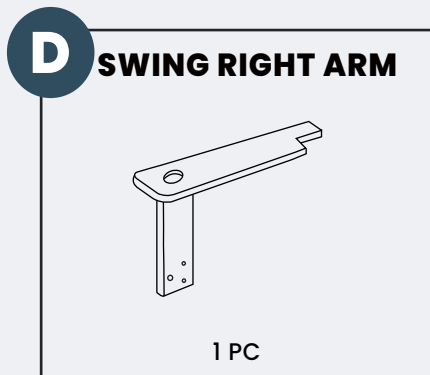
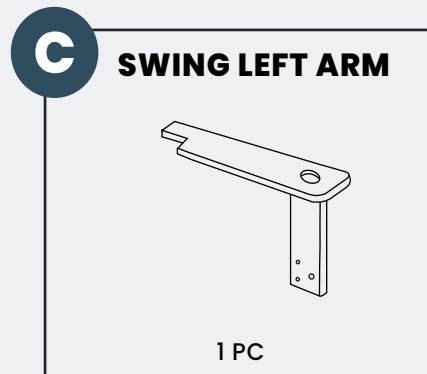
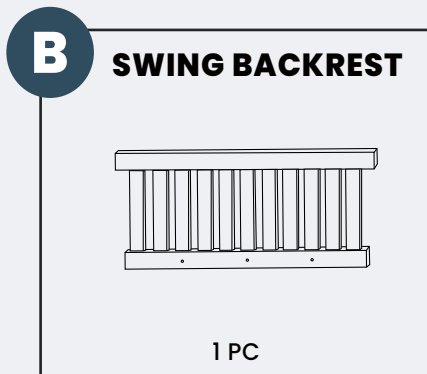
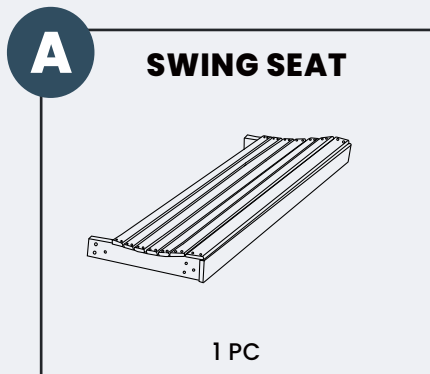


**UP TO 30 MIN.  
ASSEMBLY**

## HARDWARE

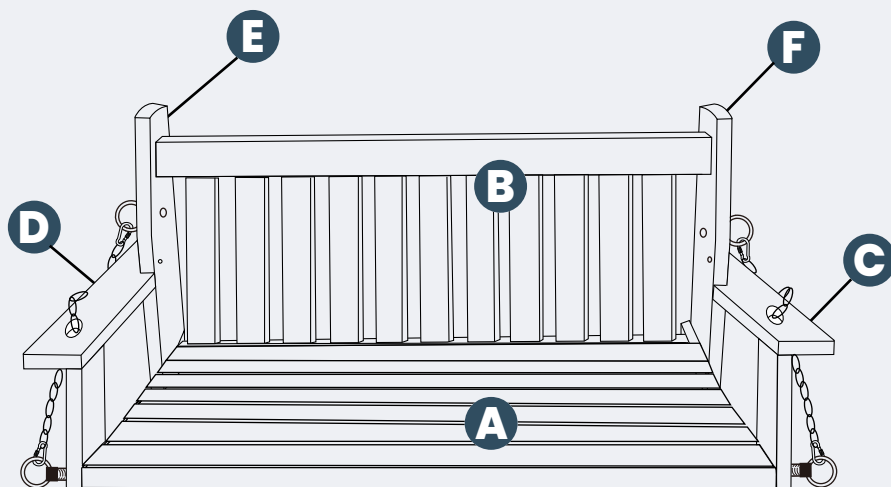


## PARTS



## PRODUCT ASSEMBLY - OVERALL VIEW

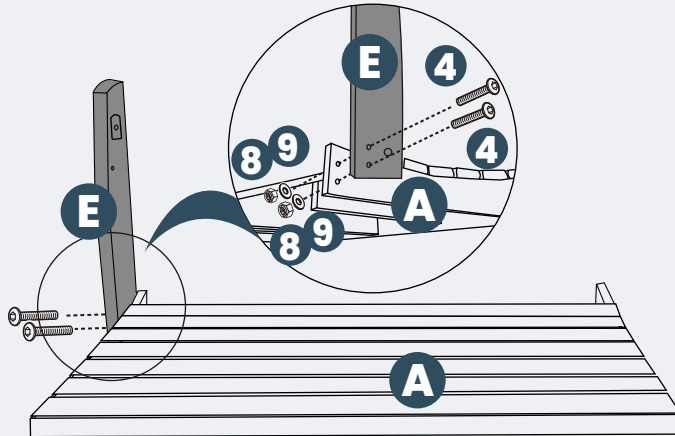
Look at following overall view of this swing and learn the exact position of each parts to be assembled.



## PRODUCT ASSEMBLY

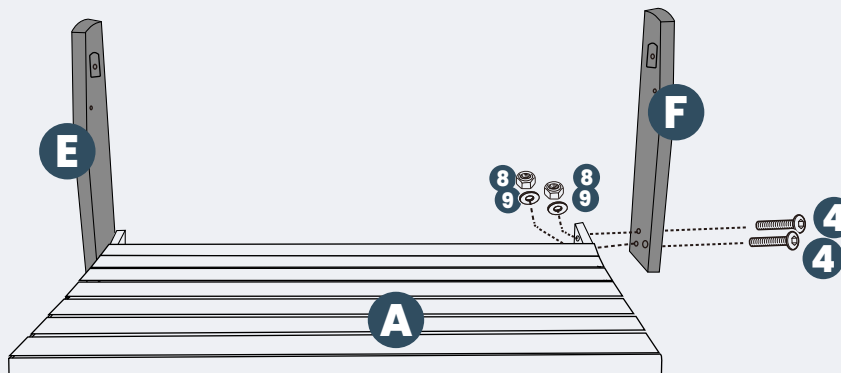
1

Place **Part A Swing Seat** on flat surface, attach **part E Right Side Rail** to **Swing Seat** with 2 sets of hardware **#4 Bolt**, hardware **#9 (M6) Washer** and hardware **#8 Nut (M6)**.



2

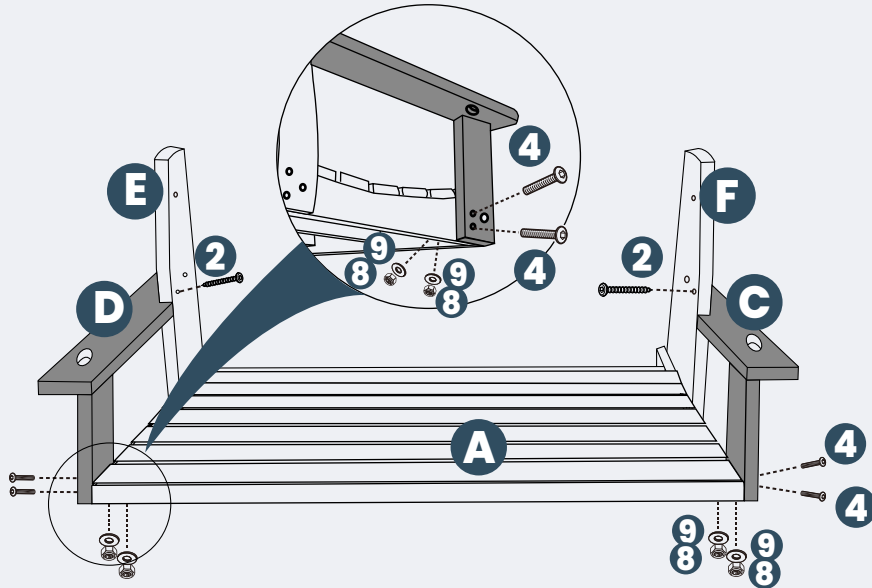
Attach **part F Left Side Rail** to **Swing Seat** with 2 sets of hardware **#4 Bolt**, hardware **#9 Washer** and hardware **#8 Nut**.



## PRODUCT ASSEMBLY

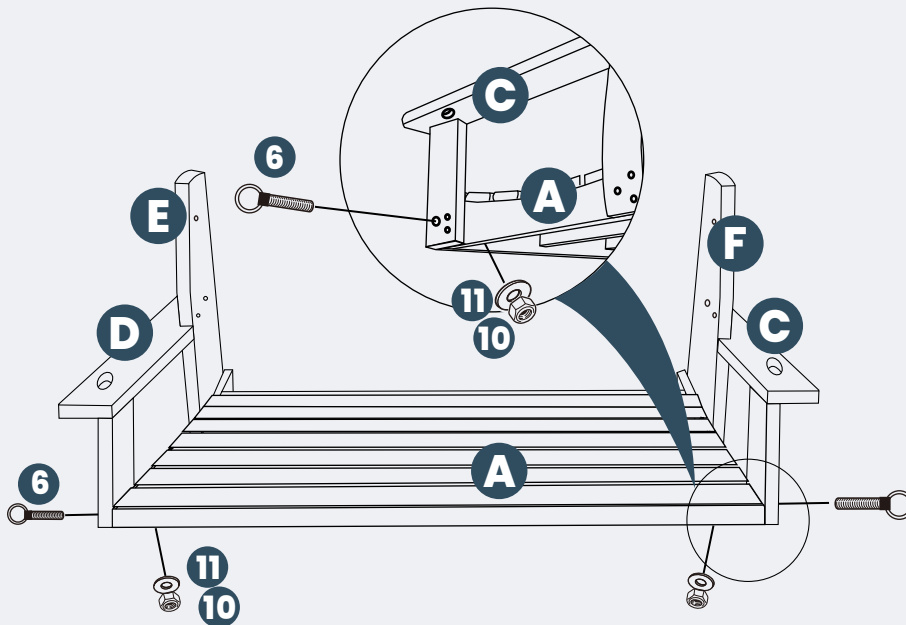
3

Attach **part D Swing Right Arm** to **part A Swing Seat** with 2 sets of hardware **#4 Bolt**, hardware **#9 Washer** and hardware **#8 Nut**. Attach the Arm to **part E Side Rail** with 1 pc of hardware **#2 Screw**. Do the same to attach **part C Left Swing Arm** to **part A Swing Seat** and **part F Side Rail**.



4

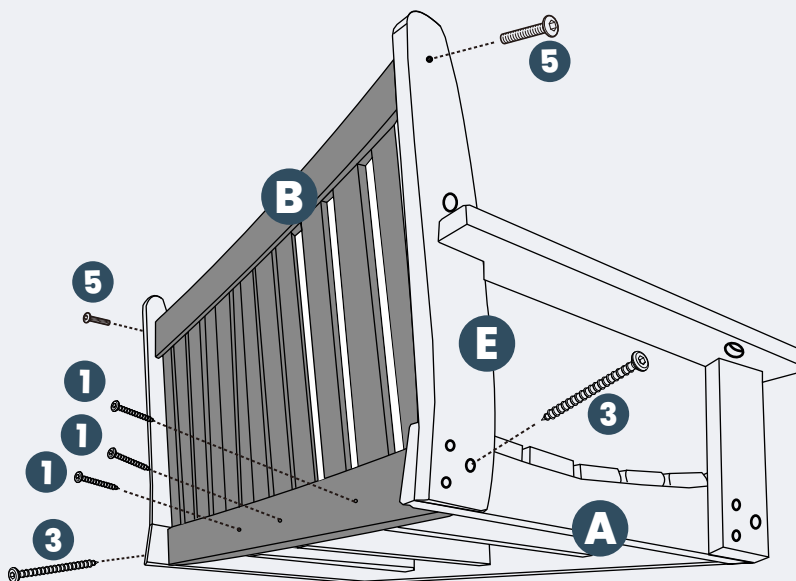
Place 2 pcs of hardware **#6 Eye Bolt** to combined **part (C+A)** and **(D+A)**, attach with 2 sets of hardware **#11 Washer (M8)** and hardware **#10 Nut (M8)** as below.



## PRODUCT ASSEMBLY

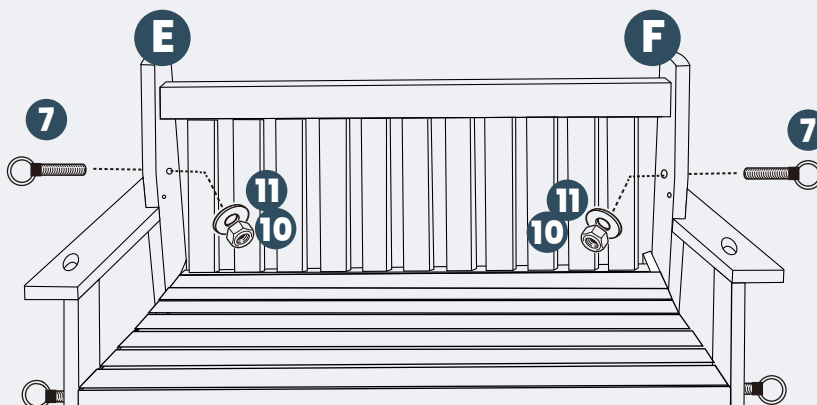
5

Attach **part B Swing Backrest** to **part E & F Side Rails** with 2 pcs of hardware **#5 Bolt** as below. Attach it to **part A Swing Seat** with 3 pcs of hardware **#1 Screw**. Attach it to the combined **part (A+E) and (A+F)** with 2 pcs of hardware **#3 Screw**.



6

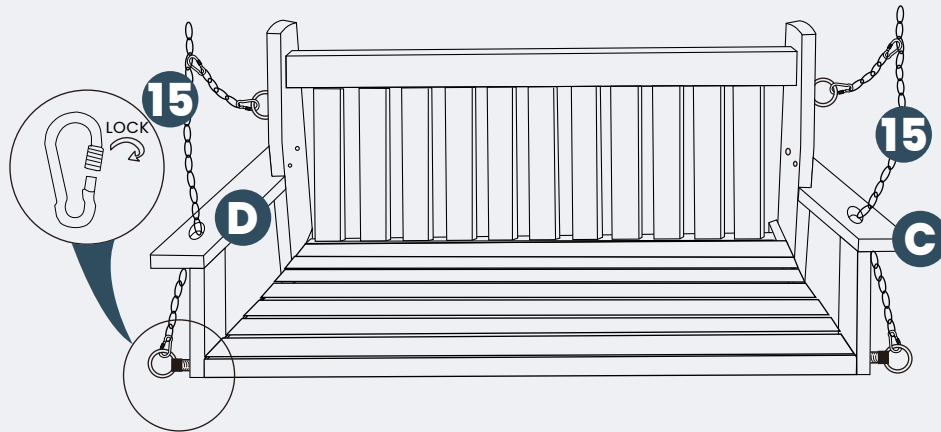
Attach 2 pcs of hardware **#7 Eye Bolt** to **part E and F Side Rails** and tighten with 2 sets of hardware **#11 Washer (M8)** and hardware **#10 Nut (M8)** as below.



## PRODUCT ASSEMBLY

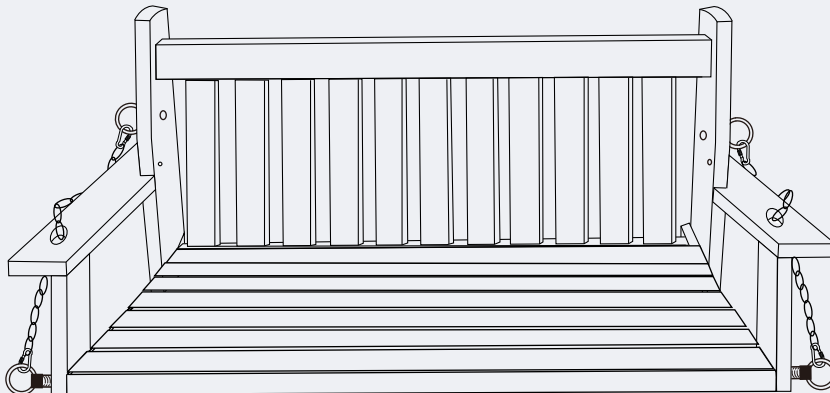
7

Turn the thread lock to open the **Carabiner**, attach it to the **Eye Bolt** on the **Swing**. Make hardware **#15 Longer Chain** go through the hole in the arm and lock it to the **Carabiner**. Lock another end to the **Eye Bolt** on the **Side Rail**. Do the same to assemble another chain to the other side.



8

Tighten all the bolts and nuts again to ensure the swing is steady enough to use.



---

## CLEANING TIPS

**REGULAR CLEAN:** Use a mixture of warm water and mild soap. Gently scrub the surface with a soft bristle brush to remove any dirt or stains.

**QUICK CLEAN:** You can simply wipe down the furniture with a damp cloth.

Regular cleaning not only preserves the aesthetic appeal of your furniture, but also helps extend its lifespan.