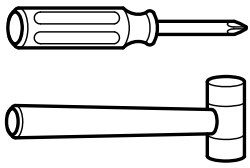
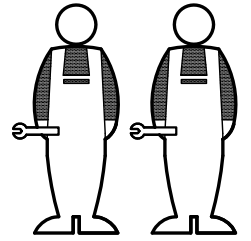
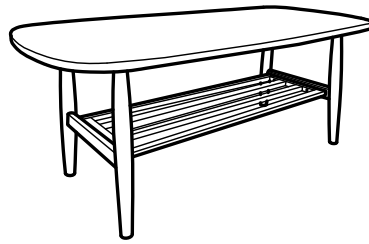


ASSEMBLY INSTRUCTIONS

Item : Niles Coffee Table



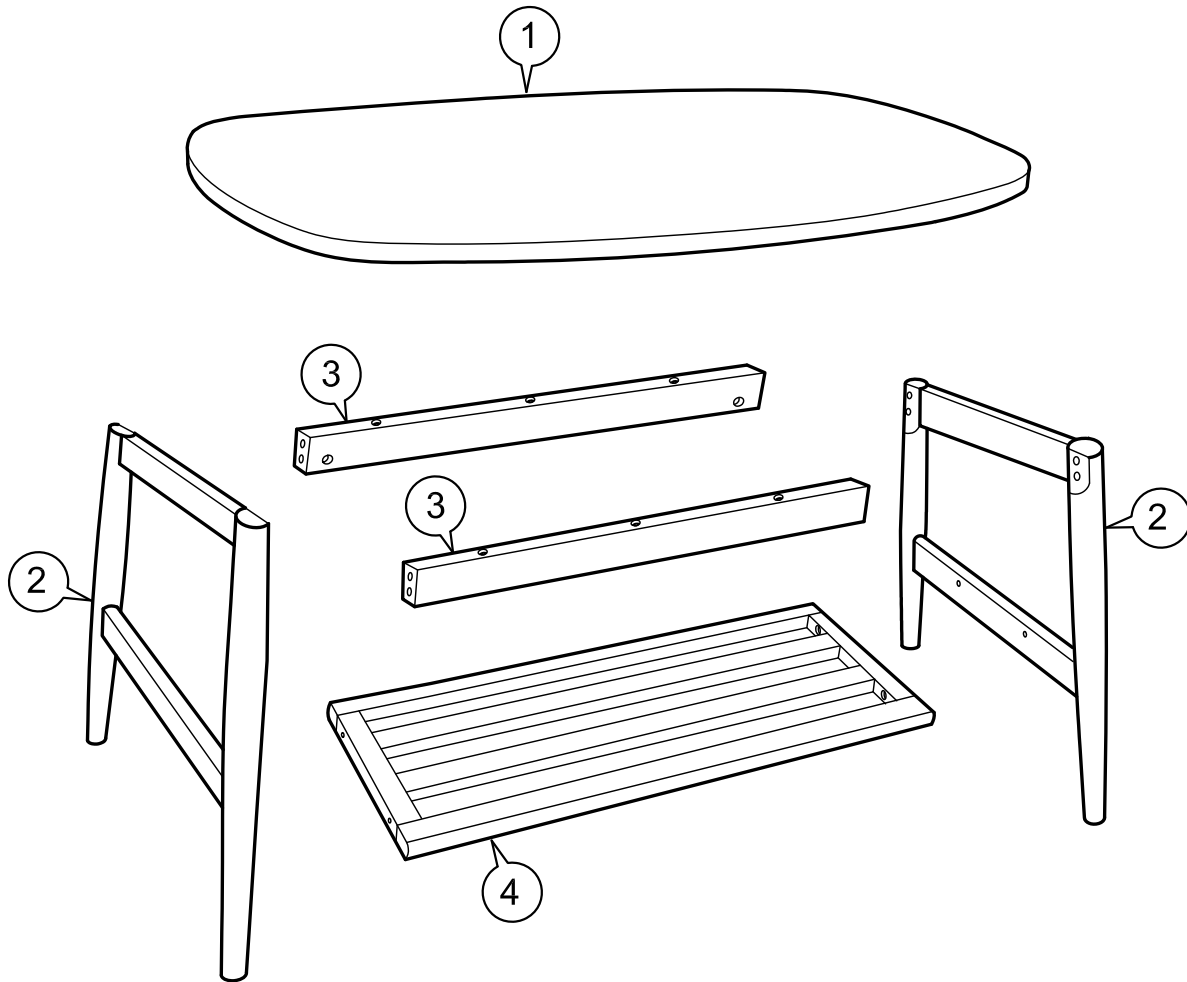
Not Provided



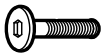

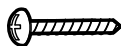





2 Persons

DO NOT fully tighten any of the bolts until the product is completely assembled, then put on a flat surface to make sure the product is level and then fully tighten all the bolts.

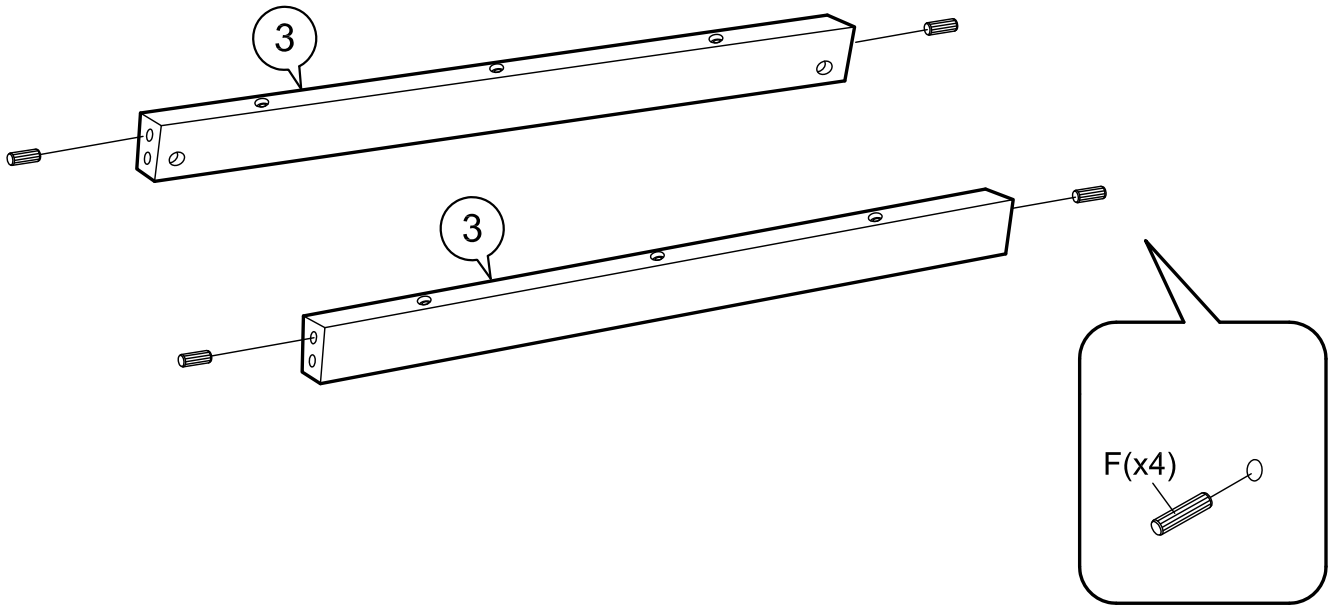
Part List



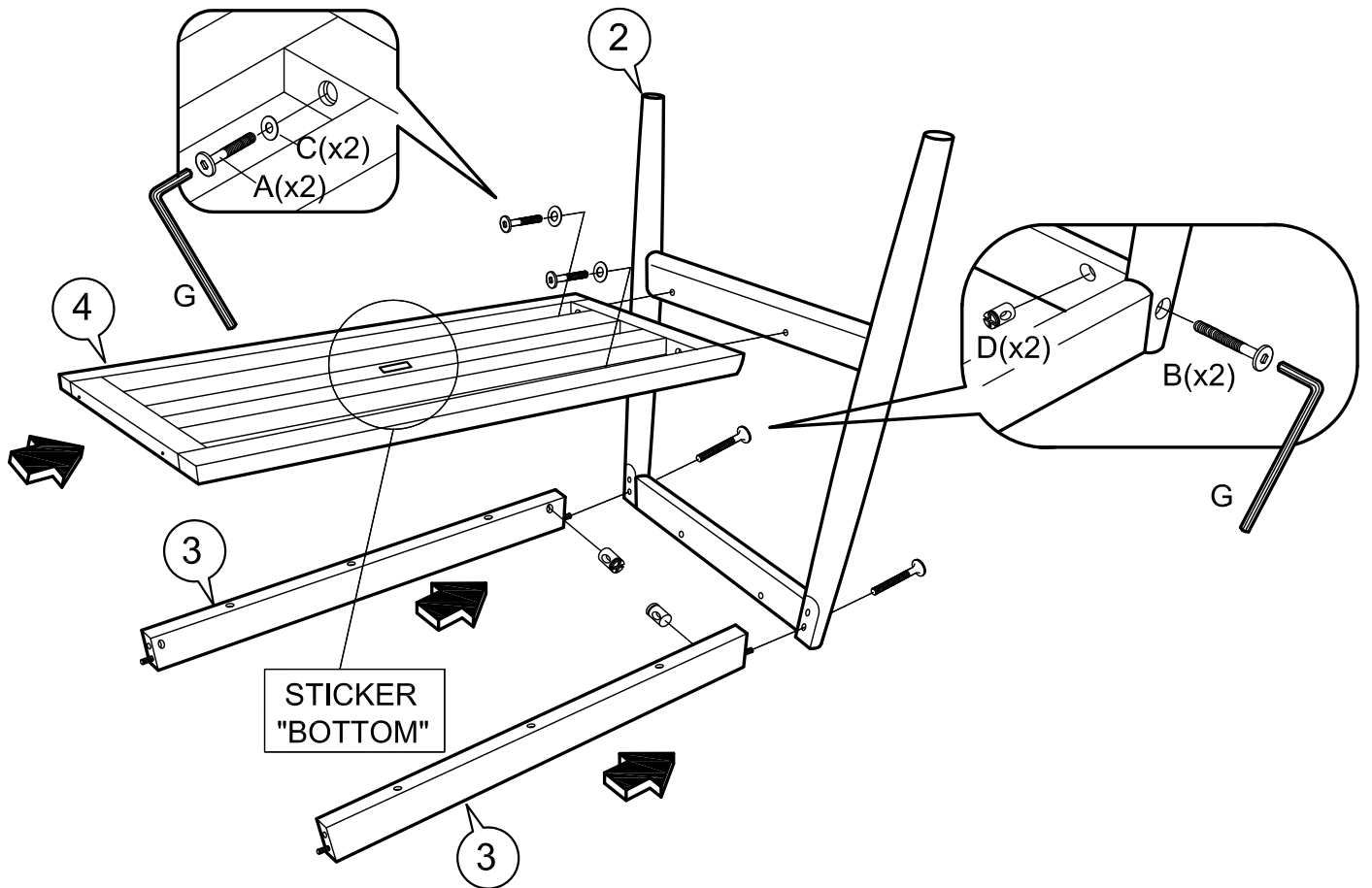
HARDWARE LIST :

| | | | |
|--|--|--|---|
| <p>A  M6 x 30mm = 4</p> | <p>C  M6 x 13mm = 4</p> | <p>E  #8 x 1 1/4" = 6</p> | <p>G  M4 x 100mm = 1</p> |
| <p>B  M6 x 60mm = 4</p> | <p>D  M6 x 13mm = 4</p> | <p>F  M8 x 30mm = 4</p> | <p>H  = 4</p> |

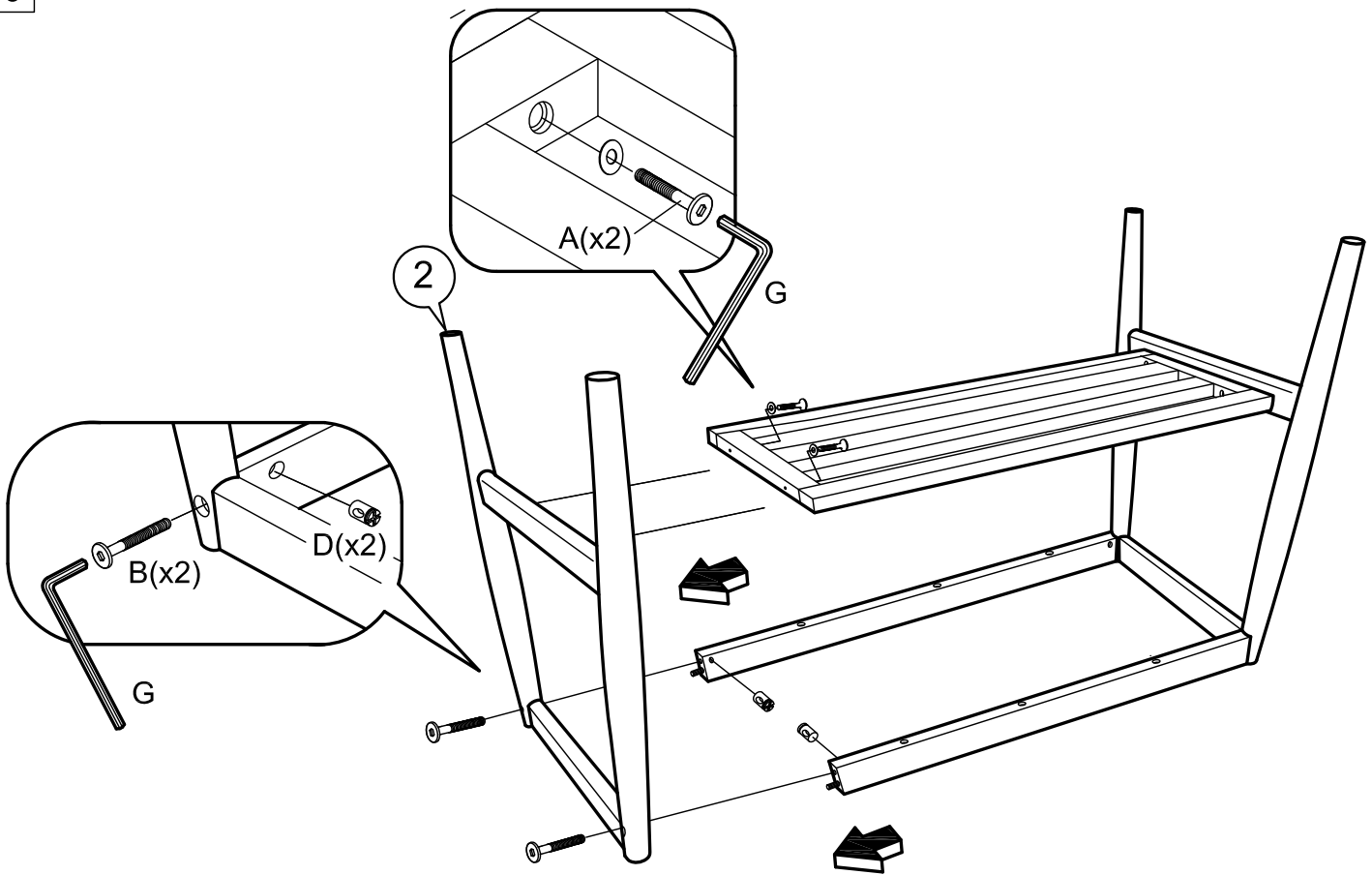
1



2



3



4

