

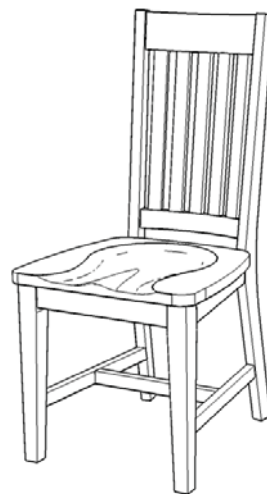
# 88 5134 80 Concrete Chic Side Chair

## IMPORTANT NOTE

Carefully remove all the parts from the carton and put them individually on a soft cloth to prevent scratches or other damage occurring to the parts.

We have taken great care in the design of this product and request that you carefully and strictly follow our assembly instructions to ensure a completed product as it was designed.

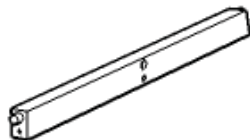
Home  
Styles



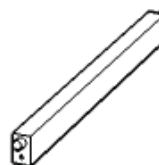
## Part List



A.  
Seat  
1 Pc.



D.  
Stretcher  
1 Pc.



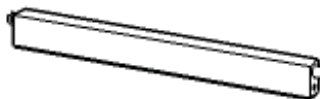
E.  
Stretcher  
1 Pc.



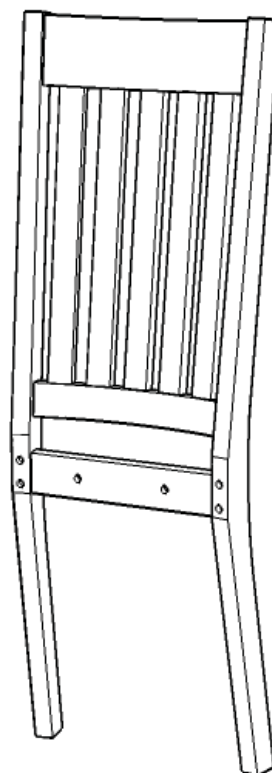
B.  
Leg  
1 Pc.



C.  
Leg  
1 Pc.



F.  
Stretcher  
1 Pc.

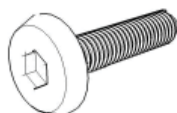


G.  
Back Frame  
1 Pc.

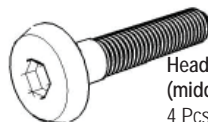
## Hardware List



Hex Wrench  
1 Pc.



Head Cap Bolt  
(short)  
2 Pcs. (+1 extra)



Head Cap Bolt  
(middle)  
4 Pcs. (+1 extra)



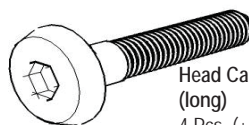
Spring Washer  
10 Pcs. (+1 extra)



Small Hex Wrench  
1 Pc.



Wood Screw  
6 Pcs. (+1 extra)



Head Cap Bolt  
(long)  
4 Pcs. (+1 extra)



Flat Washer  
10 Pcs. (+1 extra)

Tools required for assembly : Phillips screwdriver

Home Styles Consumer Assistance: [www.homestyles-furniture.com](http://www.homestyles-furniture.com),  
[servicedesk@homestyles-furniture.com](mailto:servicedesk@homestyles-furniture.com), 888-680-7460, 877-831-0319

# Assembly Instructions 2/2

## IMPORTANT

- \* Please keep Hex Wrench in a safe place as you may need to tighten up the Head Cap Bolts in the future.
- \* Do not tighten up all the screws until each part is properly assembled.
- \* Use a soft cloth between these parts and the floor.

## STEP 1

Attach Legs (B) and (C) to Seat (A) with Flat Washers, Spring Washers and Head Cap Bolts (middle).

Tighten Head Cap Bolts only half way. (see Figure 1)

Attach Stretchers (D), (E) and (F) to unit with Wood Screws. (see Figure 2)

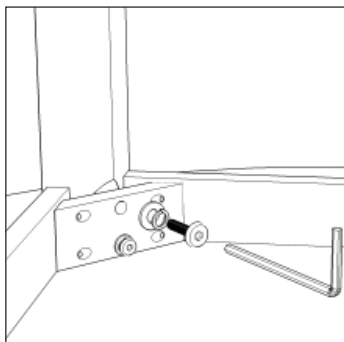


Figure 1

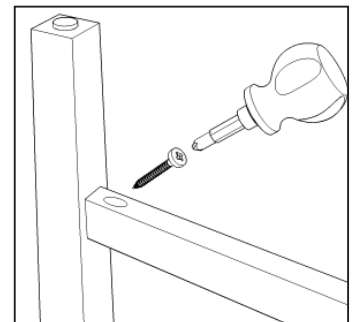
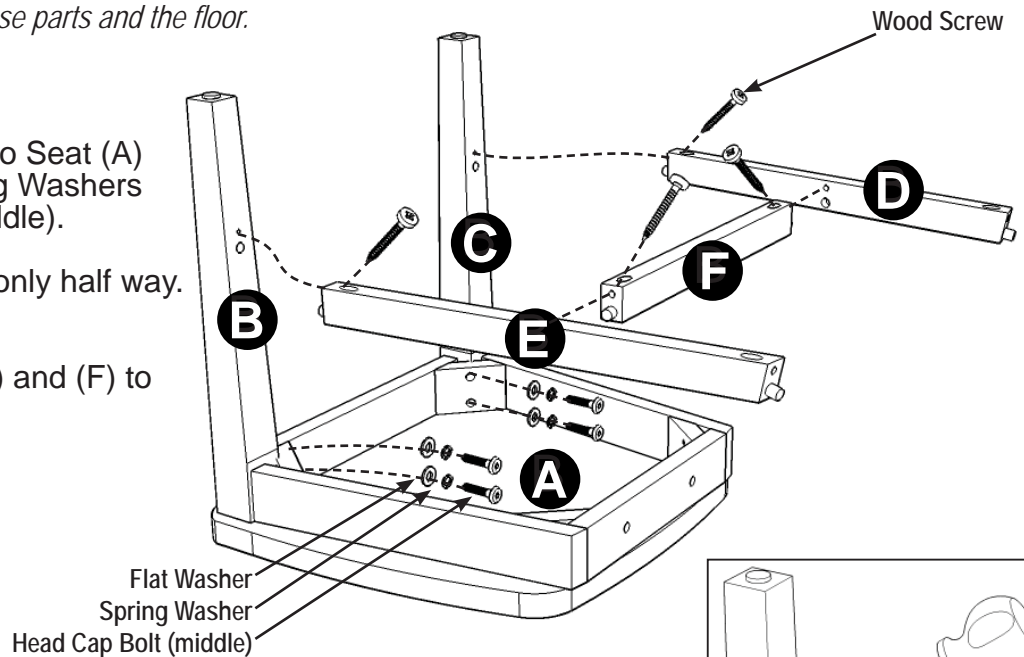


Figure 2

## STEP 2

Attach Back Frame (G) to unit with Wood Screws, Flat Washers, Spring Washers, Head Cap Bolts (long) and Head Cap Bolts (short). (see Figure 3) and (see Figure 4)

Tighten all Head Cap Bolts.

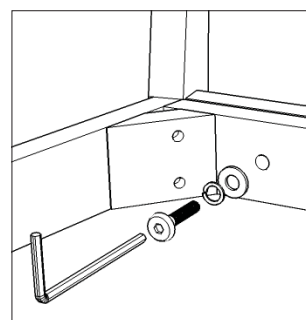
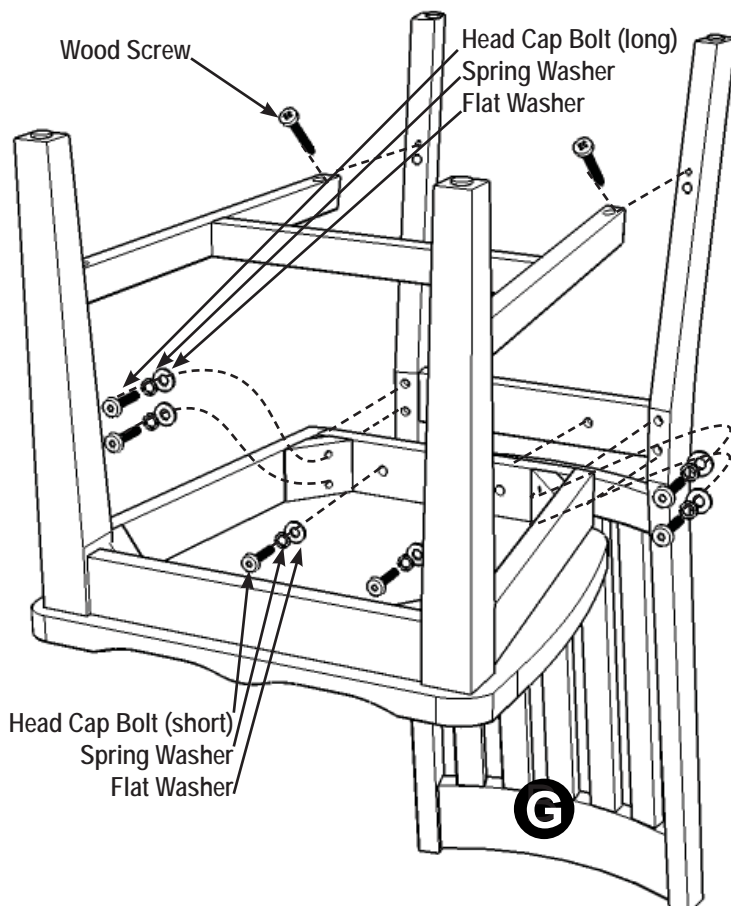


Figure 3

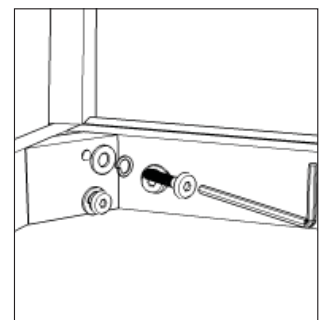


Figure 4