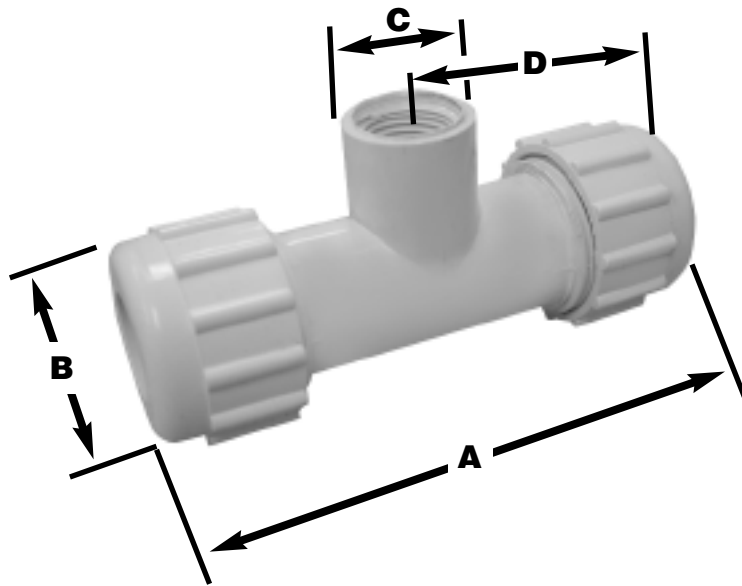


# SPECIFICATION SUBMITTAL SHEET

j o n e s   s t e p h e n s   c o r p o r a t i o n

## COMPRESSION TEE- PVC



### features and benefits:

- For use on cold water lines - only
- Ribbed body and nuts for gripping
- Fits both IPS and Schedule 40 pipe
- EPDM gaskets
- 150 psi at 73°F
- Threaded branch

This product and others like it can be found in the Jones Stephens catalog. Call today to order your catalog or download it from our website: [www.plumbest.com](http://www.plumbest.com)

PART NO.	SIZE	A	B	C	D
<input type="checkbox"/> C17-050	1/2"	5"	1 3/4"	1 1/8"	2 1/2"
<input type="checkbox"/> C17-075	3/4"	5 1/4"	2"	1 5/16"	2 9/16"
<input type="checkbox"/> C17-100	1"	5 3/4"	2 1/4"	1 11/16"	2 3/4"
<input type="checkbox"/> C17-125	1 1/4"	6 3/16"	2 7/8"	2"	3 1/8"
<input type="checkbox"/> C17-150	1 1/2"	6 5/8"	3"	2 3/8"	3 3/8"
<input type="checkbox"/> C17-200	2"	7 3/8"	3 1/2"	2 7/8"	3 3/4"

jones stephens corporation  
 3249 moody parkway • moody, alabama 35004  
 toll free phone: 1-800-355-6637 • toll free fax: 1-800-462-6991  
[www.plumbest.com](http://www.plumbest.com)