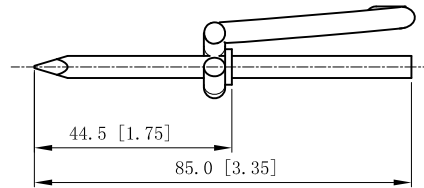
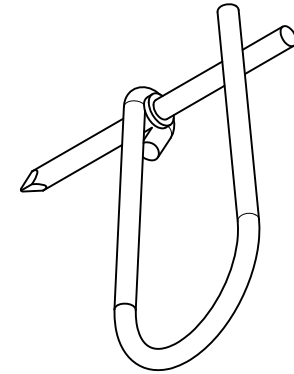
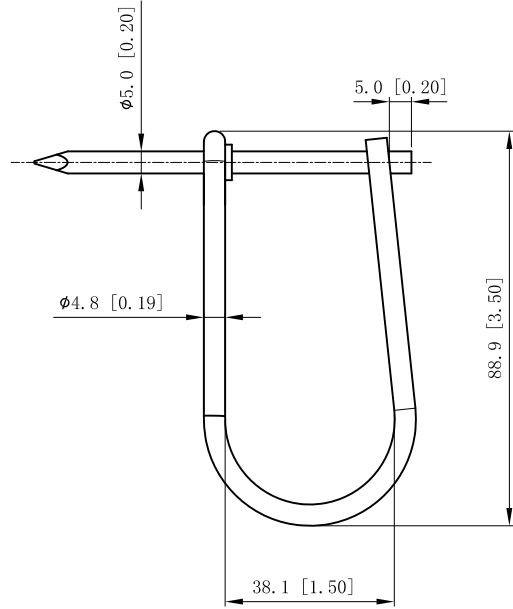
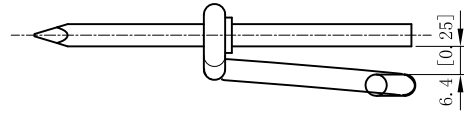
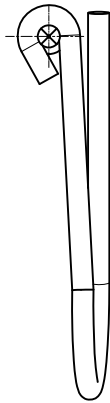


SIDES	BOTTOM
U Clip-Material:Steel-□ 0.19-(C1008-C1018), Mechanical galvanize	
Nail-Material:Steel-□ 0.18-(C1008-C1022), Mechanical galvanize	



DESCRIPTION
TRADE REFERENCE TERMS

This data sheet is for reference only .GARVIN INDUSTRIES reserves the right to make changes to the design without prior notice.

STANDARD PACKING

GARVIN INDUSTRIES		
TITLE DRIVE RINGS		
SIZE A4	DWG NO. DRV-1-1/2	REV
DATA SHEET		