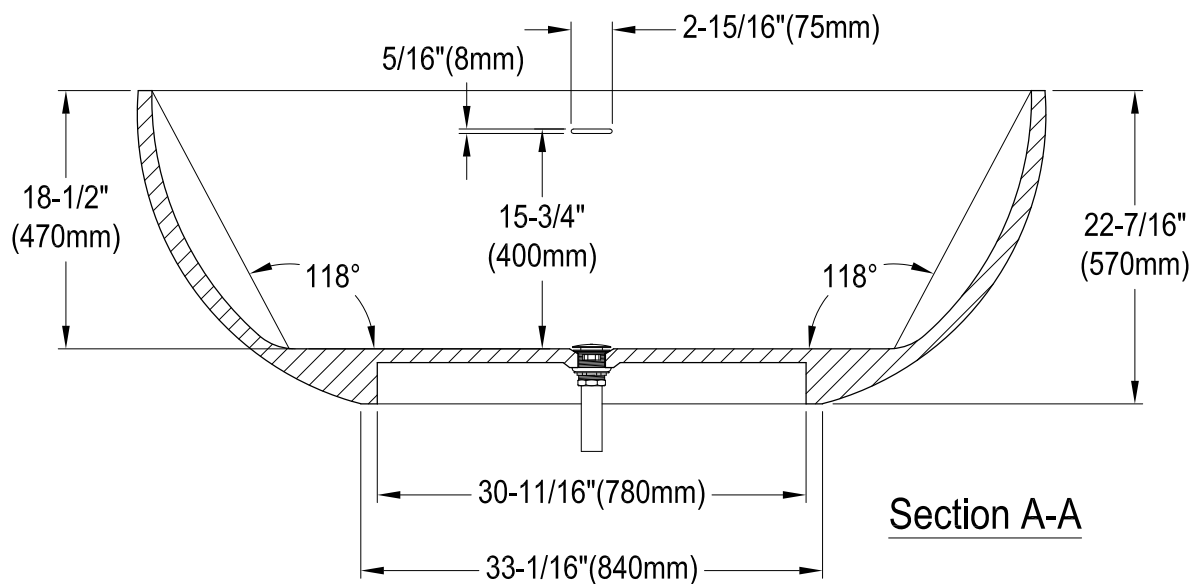
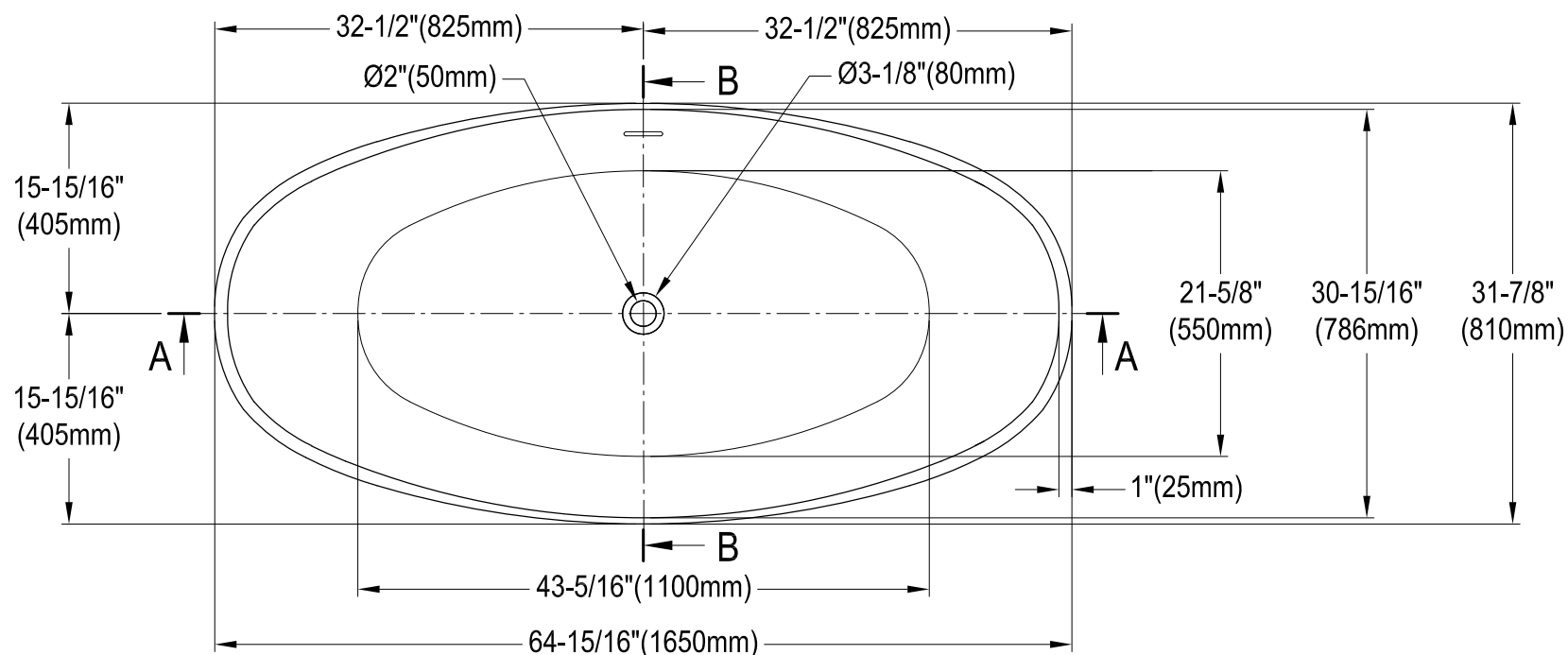
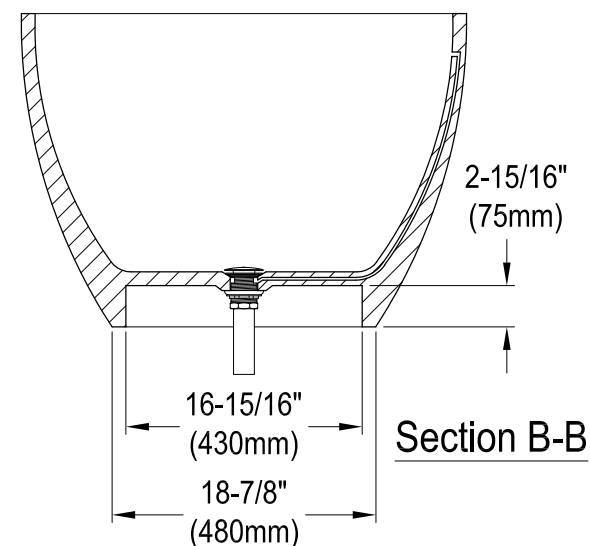


# KRTRS6531266K0,1,2,3,5,6,7,8

65" Solid Surface White Stone Freestanding Tub with Drain



Section A-A



Section B-B

# KRTRS6531266K0,1,2,3,5,6,7,8

## Freestanding Tub Filler Package

