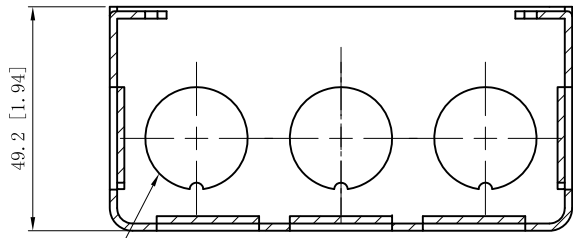
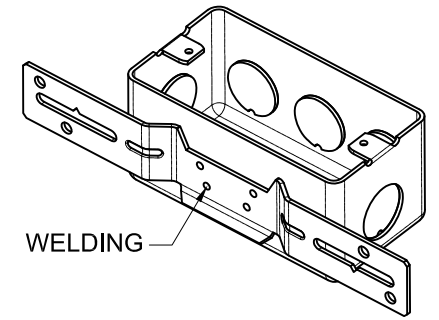


<b>SIDES</b>	<b>BOTTOM</b>
5 1/2" KNOCKOUTS	3 1/2" KNOCKOUTS
Material: Steel-0.0625"-G60 Galvanized	

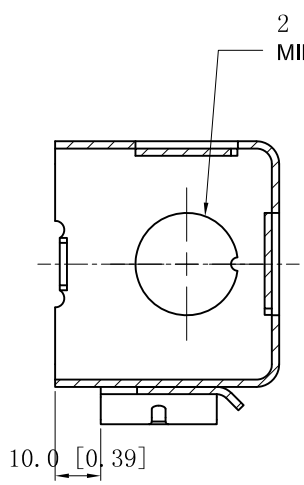


CUTAWAY VIEW A-A

3 1/2" KNOCKOUTS  $\phi=22.50$  [ $\phi=0.886$ ]



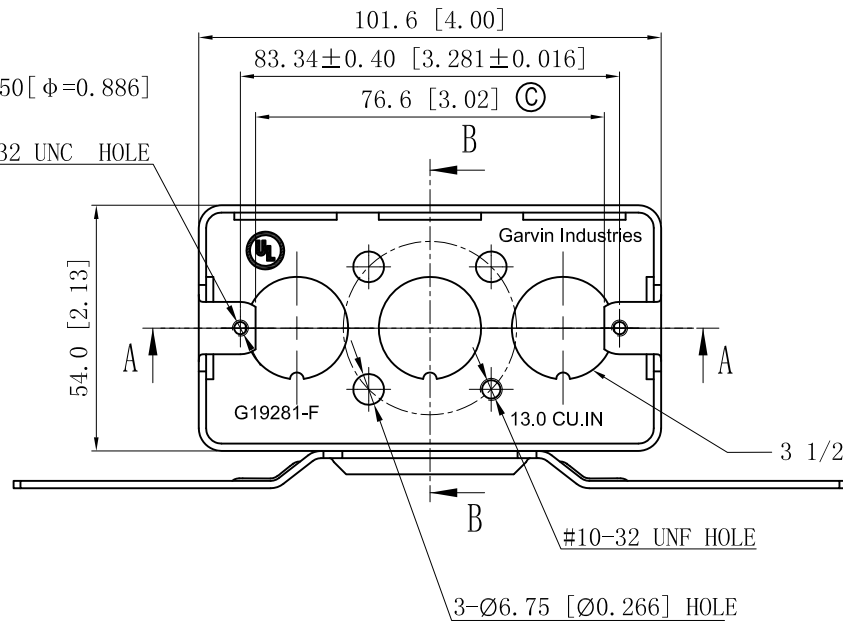
WELDING



CUTAWAY VIEW B-B

2 1/2" KNOCKOUTS  $\phi=22.50$  [ $\phi=0.886$ ]  
MIRROR

2-#6-32 UNC HOLE



3 1/2" KNOCKOUTS  $\phi=22.50$  [ $\phi=0.886$ ]

#10-32 UNF HOLE

3-Ø6.75 [Ø0.266] HOLE

This data sheet is for reference only .GARVIN INDUSTRIES reserves the right to make changes to the design without prior notice.

DESCRIPTION
TRADE REFERENCE TERMS

STANDARD PACKING
25 PCS

<b>GARVIN INDUSTRIES</b>		
TITLE HANDY UTILITY BOXES & EXTENSION RINGS		
SIZE A4	DWG NO. G19281-F	REV D
DATA SHEET		