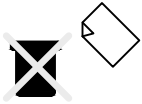


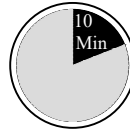
# HINTS & TIPS



# Assembly Instruction

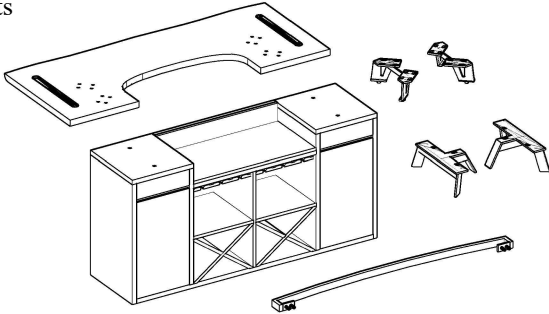


Please retain this assembly instruction for future use.



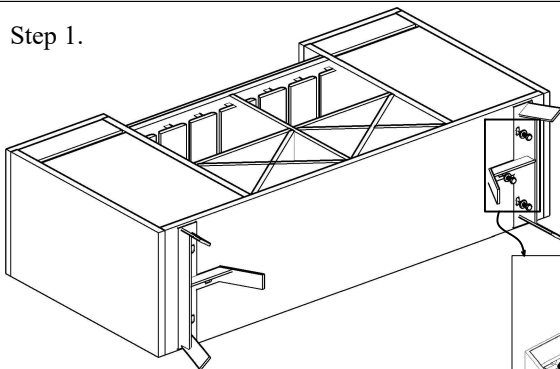
This assembly requires two people

## Parts



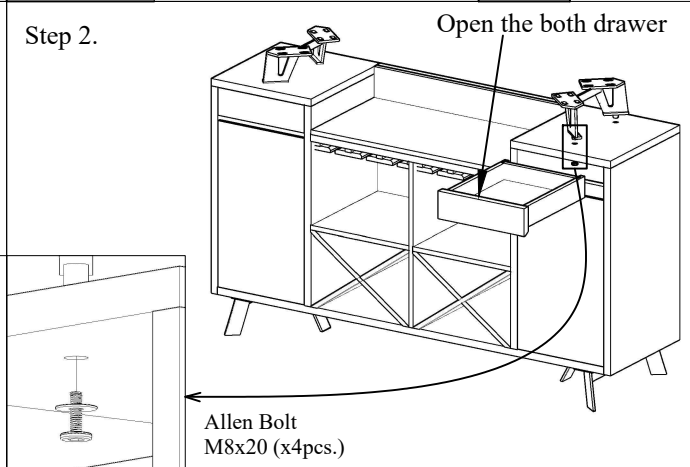
SKU#	Description	Qty
1	Flat Washer 8mm	26
2	Hexa Bolt M8x25	22
3	Spanner 12x13	01
4	Allen Bolt M8x20	04
5	Allen 5mm	01

## Step 1.



Hexa Bolt M8x25 (x6pcs.)

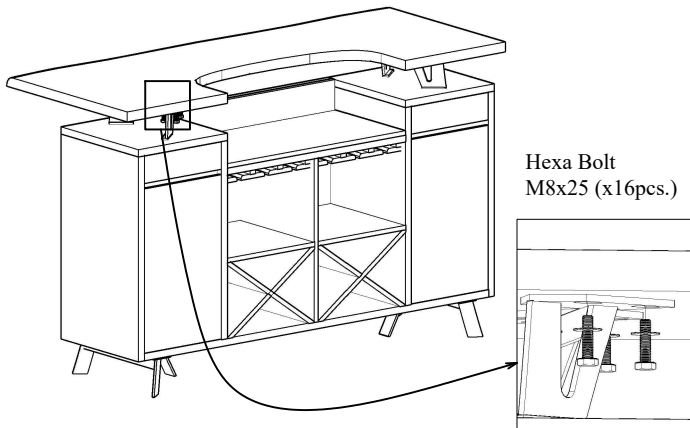
## Step 2.



Open the both drawer

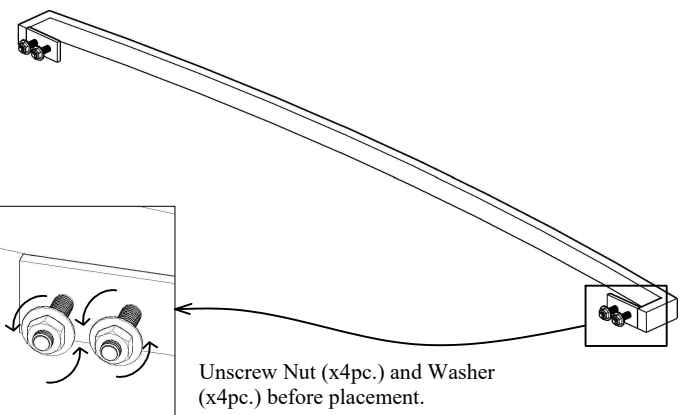
Allen Bolt M8x20 (x4pcs.)

## Step 3.



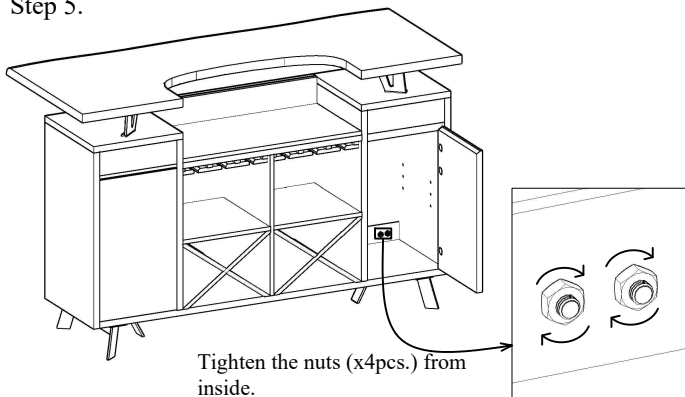
Hexa Bolt M8x25 (x16pcs.)

## Step 4.



Unscrew Nut (x4pc.) and Washer (x4pc.) before placement.

## Step 5.



Tighten the nuts (x4pcs.) from inside.

## Finish.

