

# Assembly Guide



**Bush**  
FURNITURE

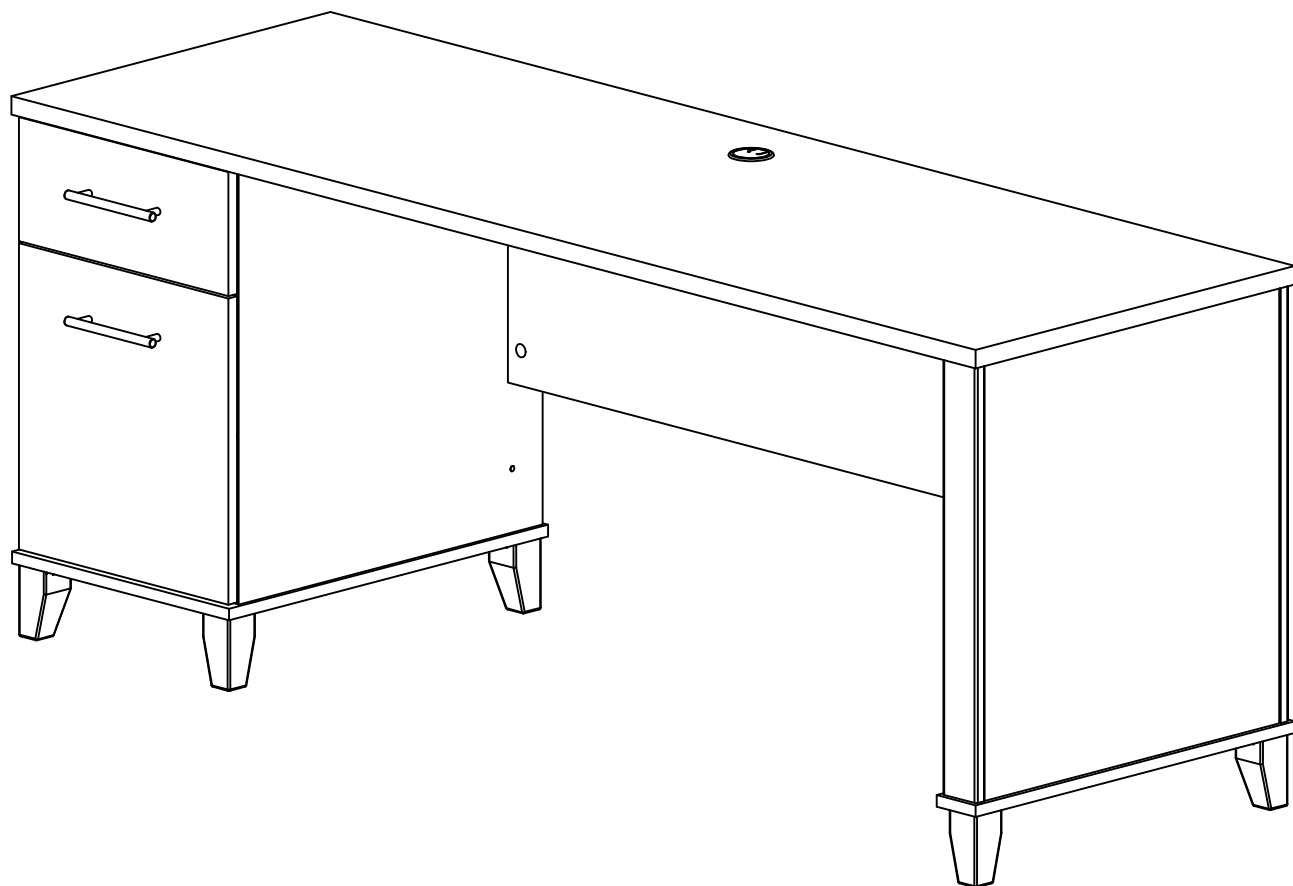


If you're having any difficulty during assembly of this product, don't hesitate to call us at **1-800-950-4782.**

Our customer service experts are trained to provide step-by-step instruction and can easily replace any missing or damaged parts.

**Representatives are available Monday-Friday from 8:30 a.m. to 7:30 p.m. (ET)**

## 72 W Ped Desk



Lot Code #

Instruction Sheet Number A189223F

Keep manual for future reference.

## For best results, keep these tips in mind:

- ① We know you want to finish this assembly as quickly as possible, but trust us: you'll have a better experience if you take it one step at a time.
- ② Give yourself some room to work near where you want the fully assembled product.
- ③ If your floor isn't carpeted, assemble this product on the empty carton to avoid scratching.
- ④ Do you have a friend who owes you a favor? Some steps may go a little easier with a second set of hands.

### DOs

- ✔ Use a #2 Phillips head screwdriver (or other handheld tools as indicated)
- ✔ Wear safety glasses at all times during assembly
- ✔ Carefully follow the instructions in this guide and complete all steps in order
- ✔ Give us a call if you're having trouble with a particularly tricky step

### DON'Ts

- ✘ We know power tools are quick and easy, but you shouldn't use them when assembling this product (unless otherwise specified)
- ✘ Never move your furniture with items inside or resting on the surface
- ✘ Do not attempt to use this product before all steps have been completed



## Watch assembly videos right on your phone or computer!



Some steps include QR codes that link to helpful videos. Watch out for the icon on the left! Simply open up your smartphone camera to scan the code.

*(Users of older smartphones may need to install a QR Reader.)*

### SCAN HERE



FOR VIDEOS

Or visit <https://www.bushfurniture.com/CustomerService/HowtoAssemble.aspx>

# IMPORTANT SAFETY INFORMATION



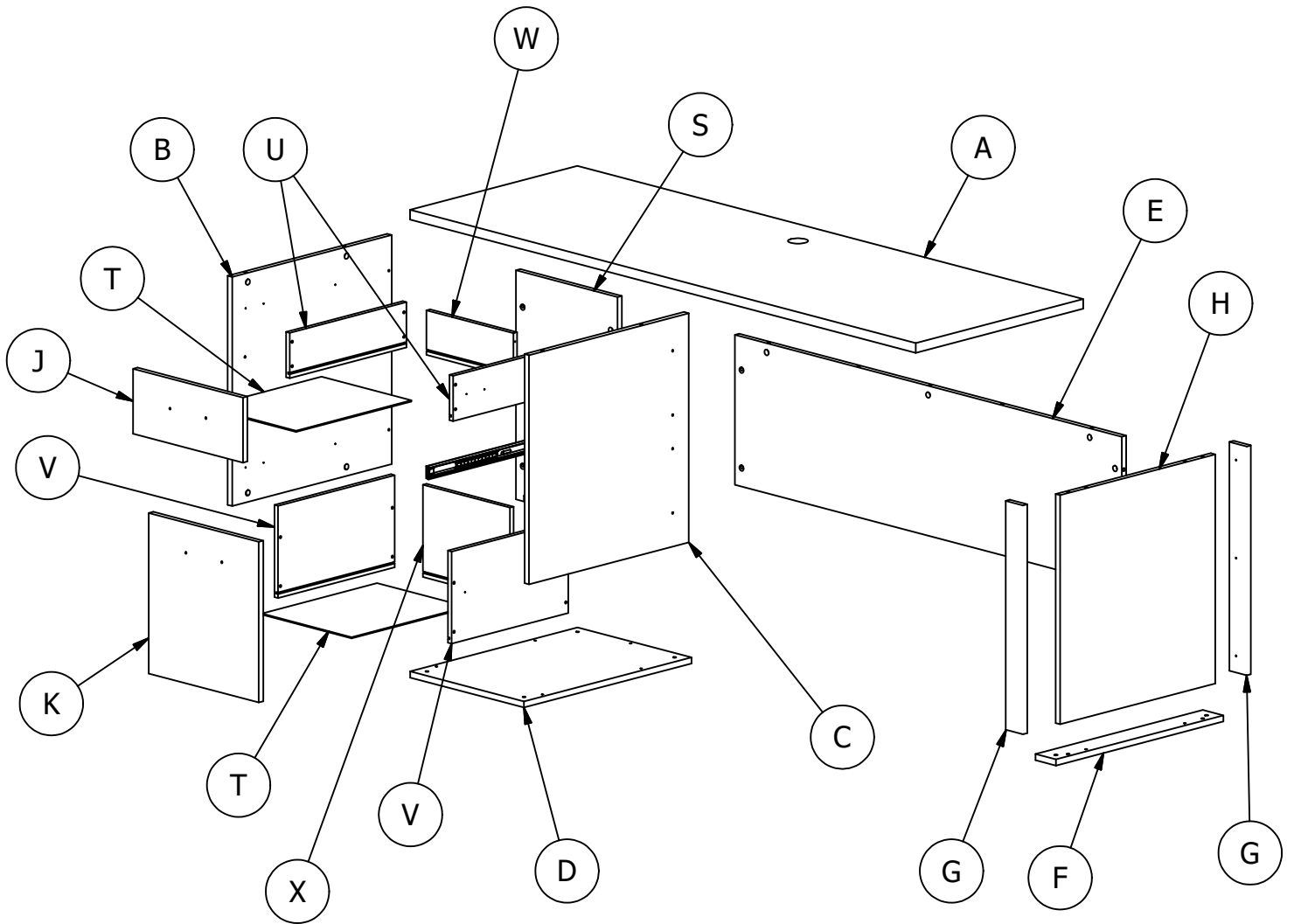
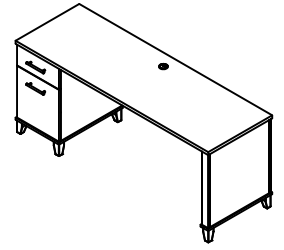
## PLEASE READ WARNINGS

Improper use can cause safety hazards, or damage to your furniture and household items.

Warning	Do	Don't	Why it's important
<b>Serious injury may occur.</b>	<ul style="list-style-type: none"><li>Assemble following all instructions using all indicated parts and hardware provided.</li></ul>	<ul style="list-style-type: none"><li>Do not move unit when loaded.</li><li>Do not load with a television or other heavy equipment.</li><li>Do not exceed the maximum load limits stated in the instructions.</li></ul>	Improper assembly, use or loading can lead to product instability, tipover, or collapse.

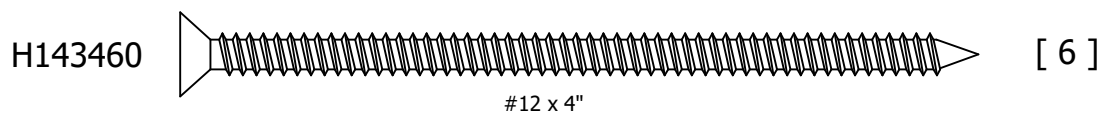
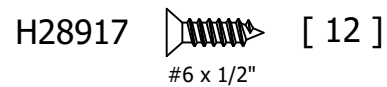
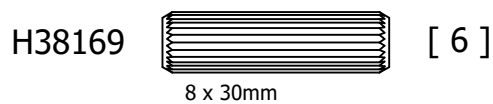
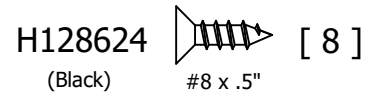
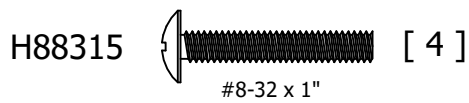
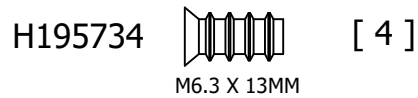
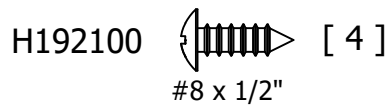
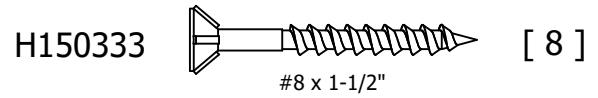
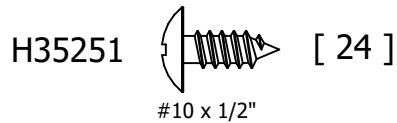
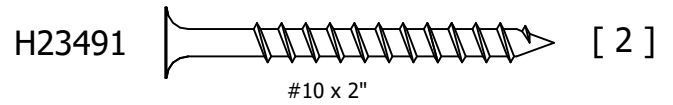
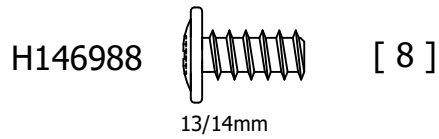
Advertencia	Hacer	No	Por qué es importante
<b>Pueden producirse lesiones graves.</b>	<ul style="list-style-type: none"><li>Realice el montaje siguiendo todas las instrucciones y utilizando todas las piezas indicadas y los herrajes suministrados.</li></ul>	<ul style="list-style-type: none"><li>No mueva la unidad cuando esté cargada.</li><li>No cargue el mueble con un televisor u otro equipo pesado.</li><li>No supere los límites máximos de carga indicados en las instrucciones.</li></ul>	El montaje, uso o carga inadecuados pueden provocar inestabilidad, vuelco o colapso del producto.

Avertissement	À faire	À ne pas faire	Pourquoi c'est important
<b>Peut entraîner des blessures graves.</b>	<ul style="list-style-type: none"><li>Assembler en suivant toutes les instructions et en utilisant toutes les pièces et la quincaillerie incluses.</li></ul>	<ul style="list-style-type: none"><li>Ne pas déplacer le meuble lorsqu'il est chargé.</li><li>Ne pas charger le meuble avec un téléviseur ou tout autre équipement lourd.</li><li>Ne pas dépasser les limites de poids maximales indiquées dans les instructions.</li></ul>	Un assemblage, une utilisation ou un chargement incorrects peuvent entraîner l'instabilité, le basculement ou l'effondrement du produit.



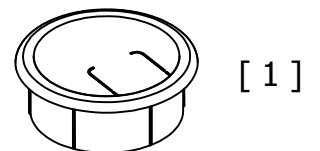
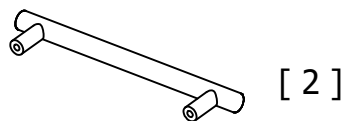
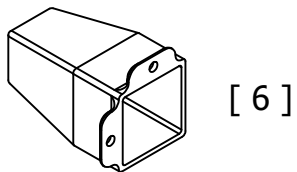
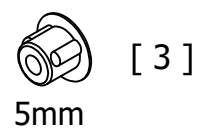
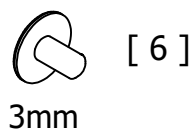
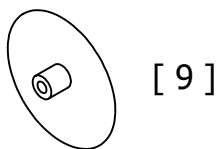
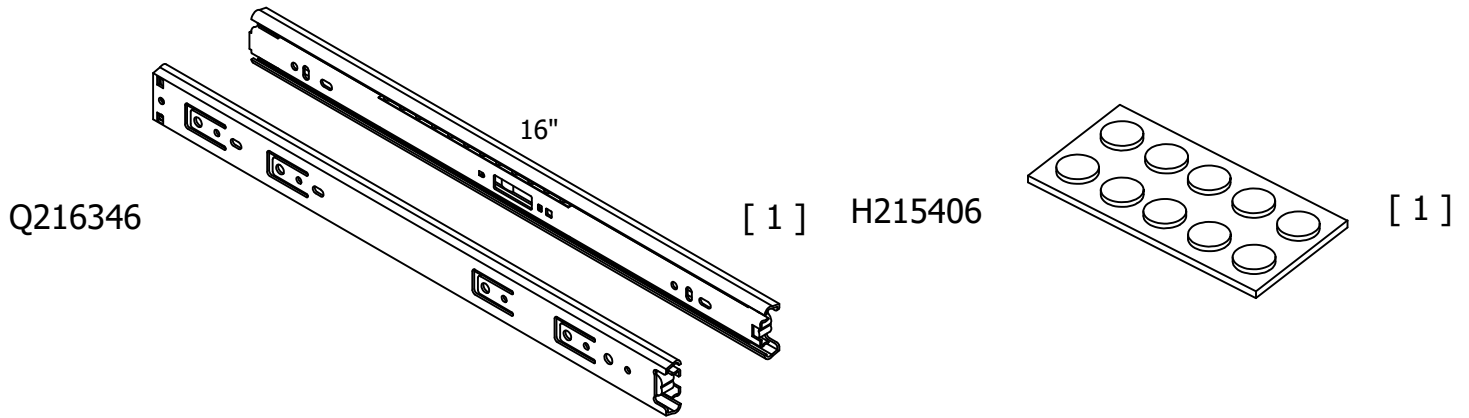
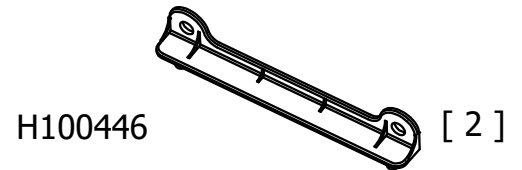
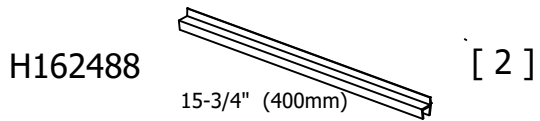
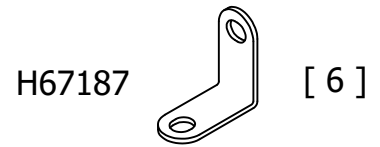
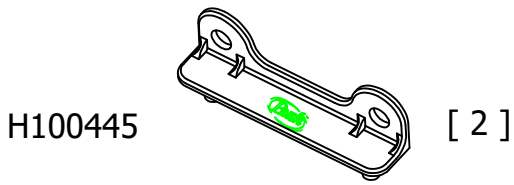
Have an assembly question or need a replacement part? Just call  
**1-800-950-4782**, we are here to help.

Fasteners are shown actual size.



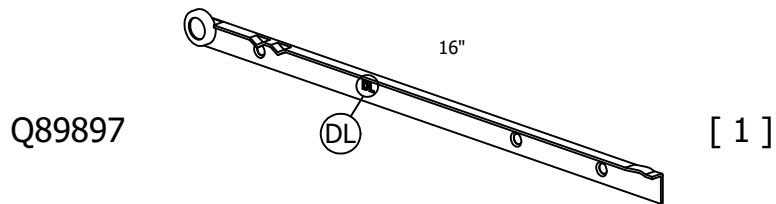
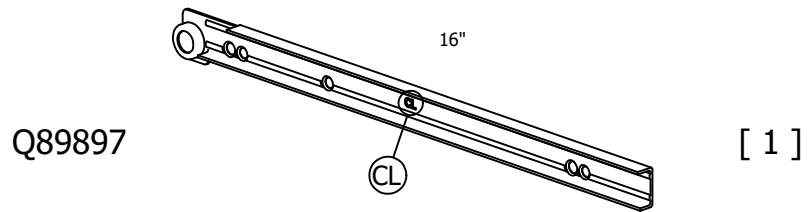
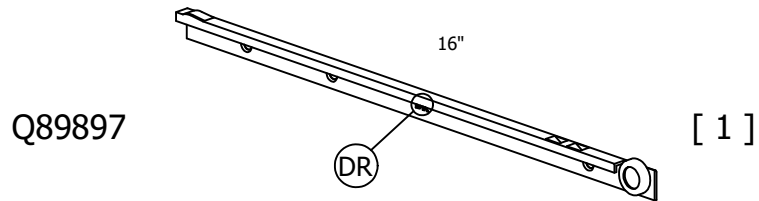
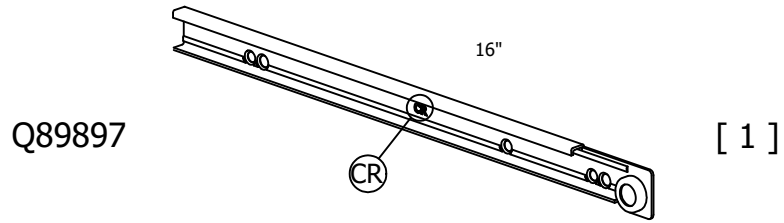
Have an assembly question or need a replacement part? Just call  
**1-800-950-4782**, we are here to help.

Hardware not to scale.



Have an assembly question or need a replacement part? Just call  
**1-800-950-4782**, we are here to help.

Hardware not to scale.

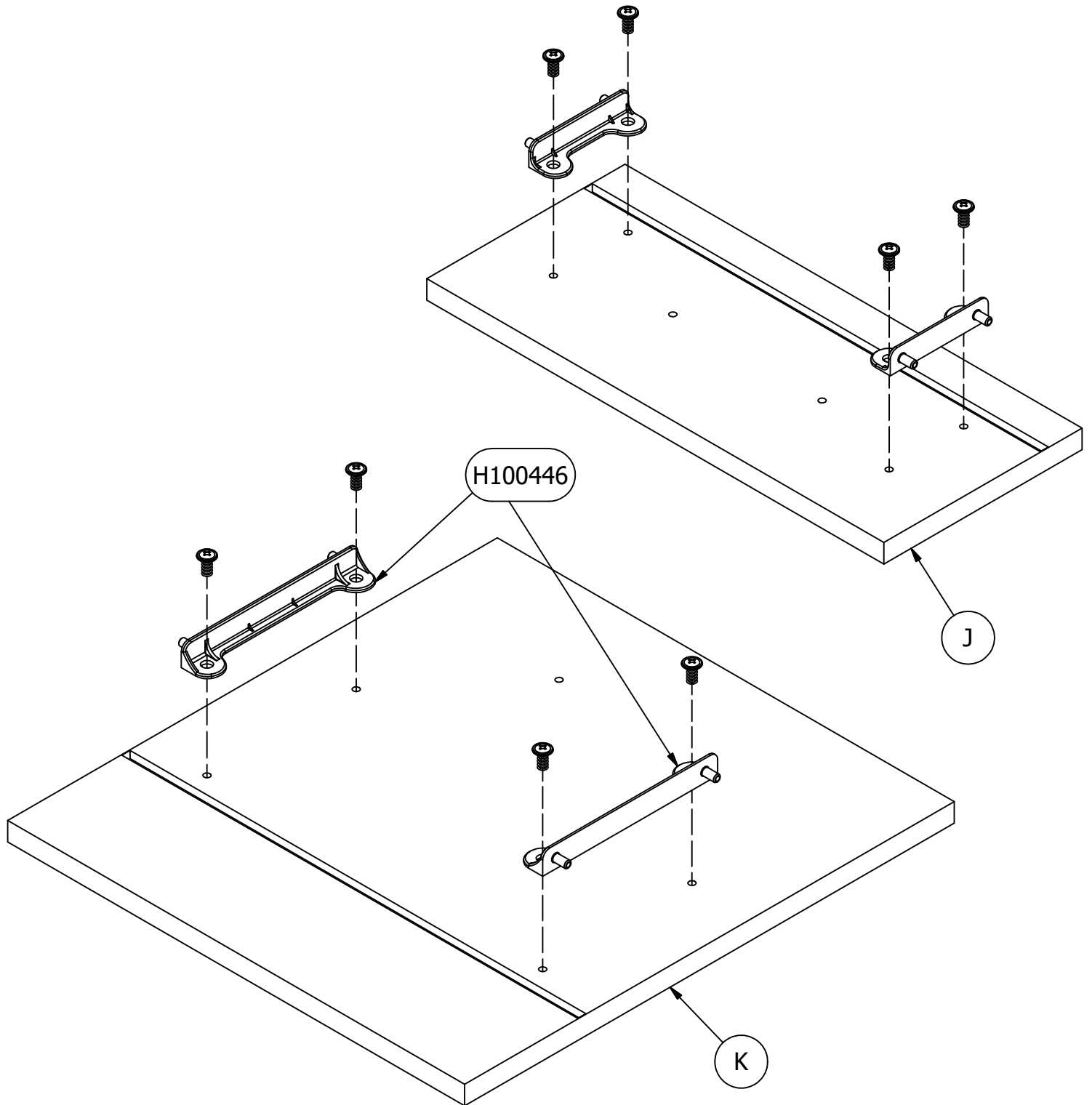


# STEP 1

## Prepare Panels

A189223F

- H100446 [ 2 ]
- H100445 [ 2 ]
- H146988 [ 8 ]  
13/14mm



Have an assembly question or need a replacement part? Just call  
**1-800-950-4782**, we are here to help.

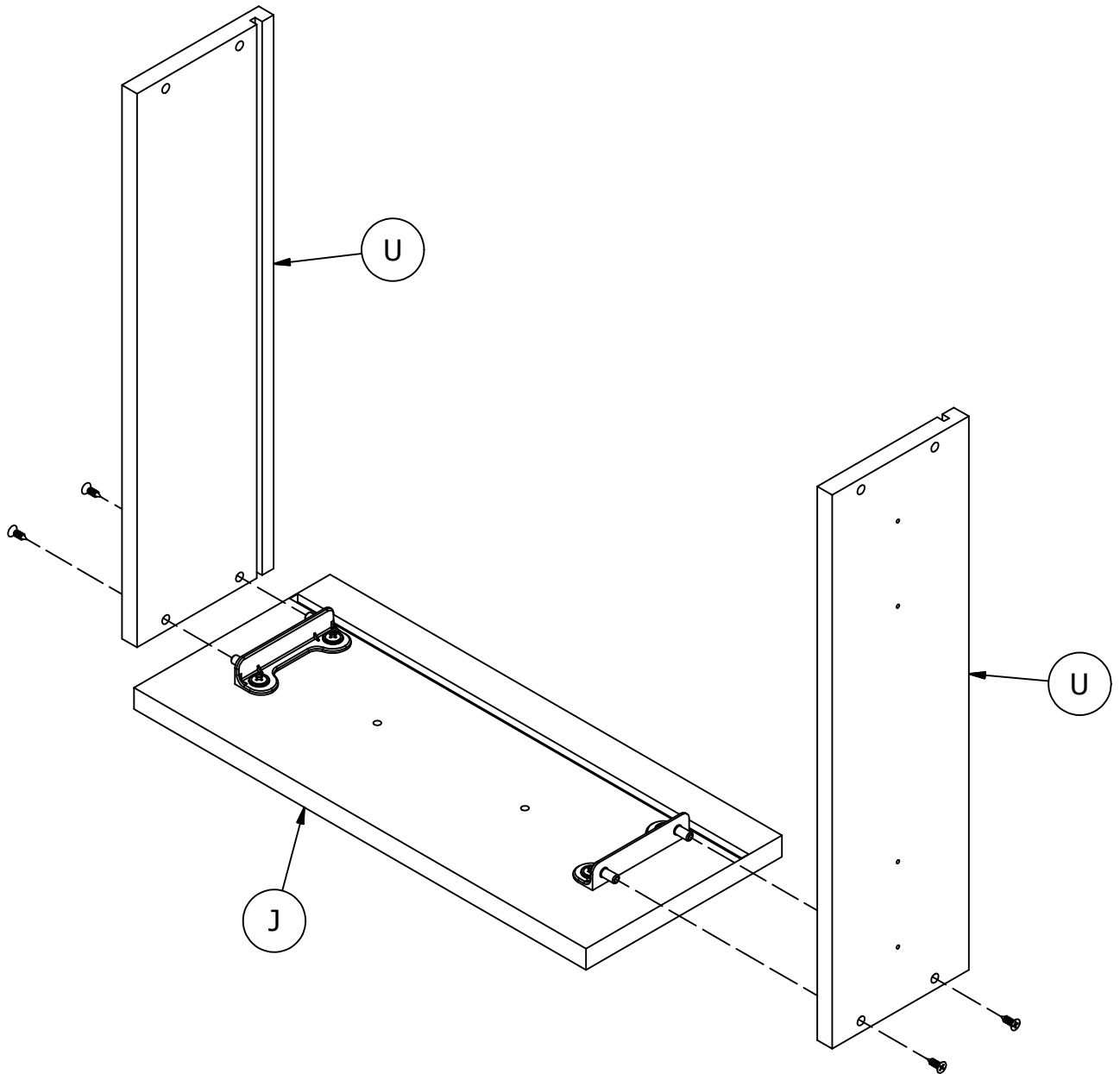


# STEP 2

# Assemble Panels

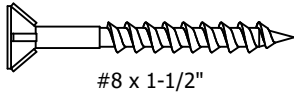
A189223F

H128624 [ 4 ]  
(Black) #8 x .5"



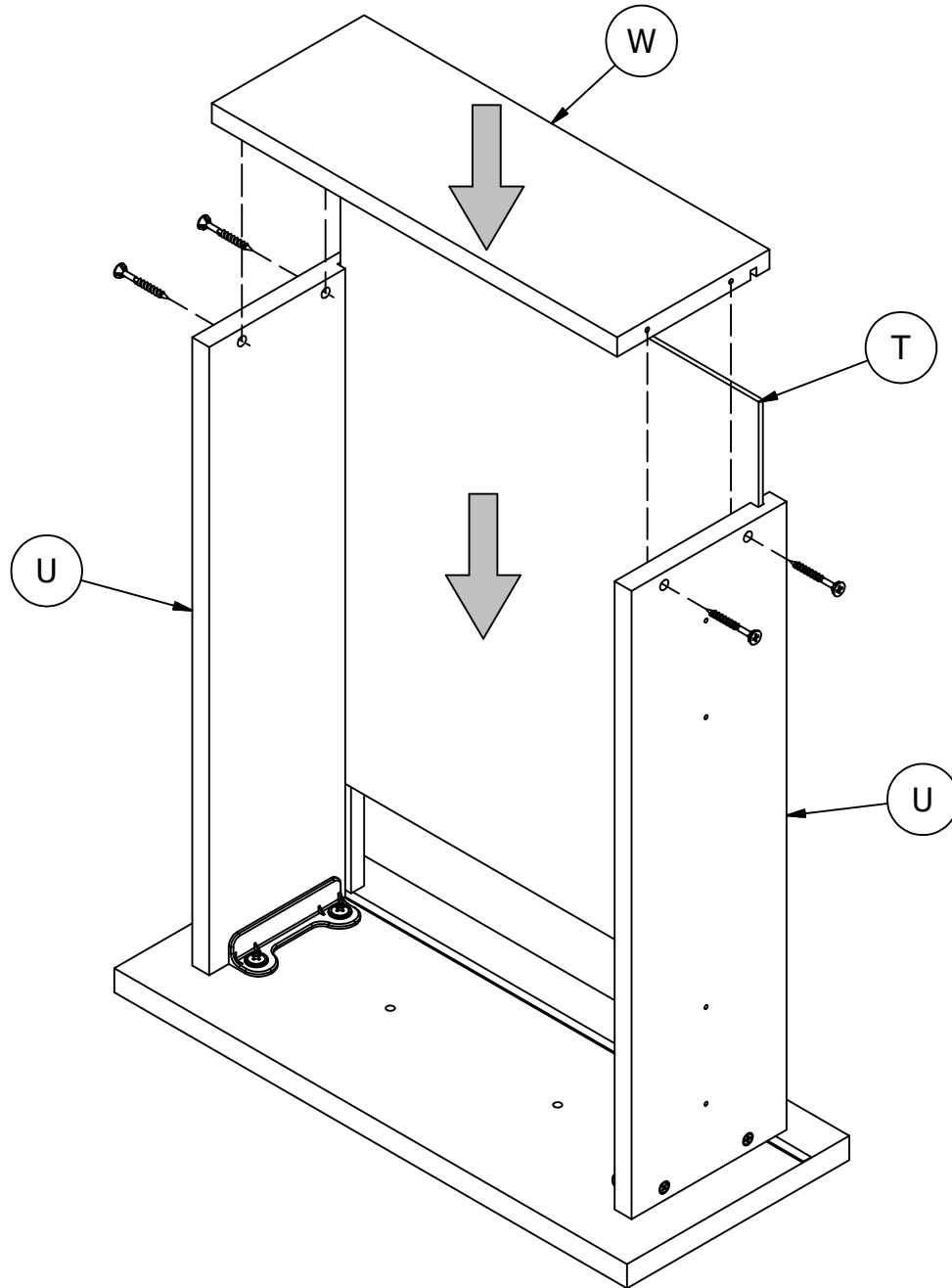
Have an assembly question or need a replacement part? Just call  
**1-800-950-4782**, we are here to help.

H150333



#8 x 1-1/2"

[ 4 ]

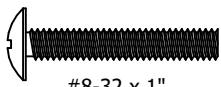



Have an assembly question or need a replacement part? Just call  
**1-800-950-4782**, we are here to help.

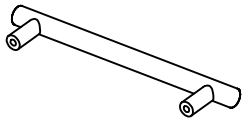
# STEP 4

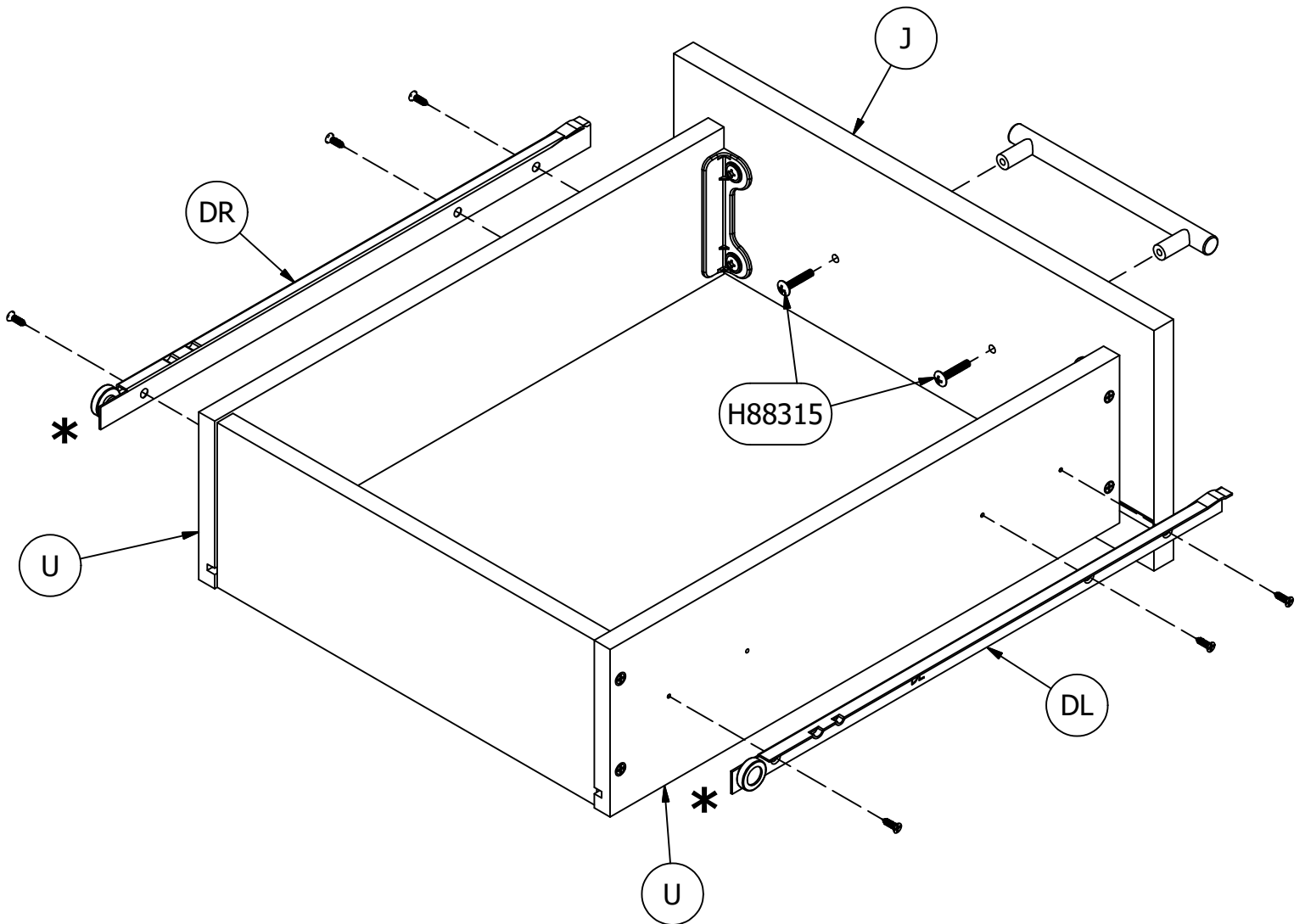
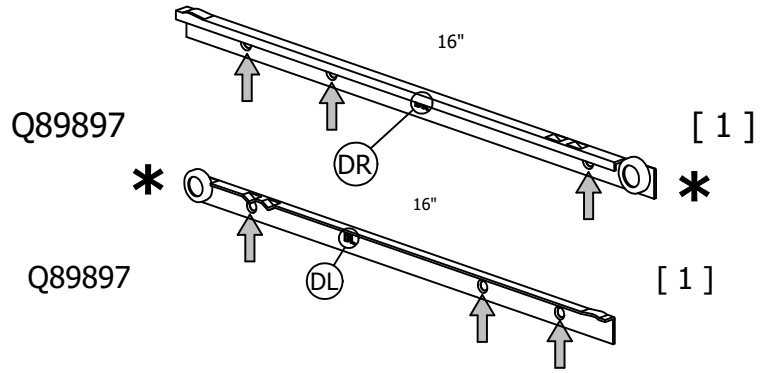
# Attach Hardware

A189223F

H88315  [ 2 ]  
#8-32 x 1"

H28917  [ 6 ]  
#6 x 1/2" Silver

 [ 1 ]



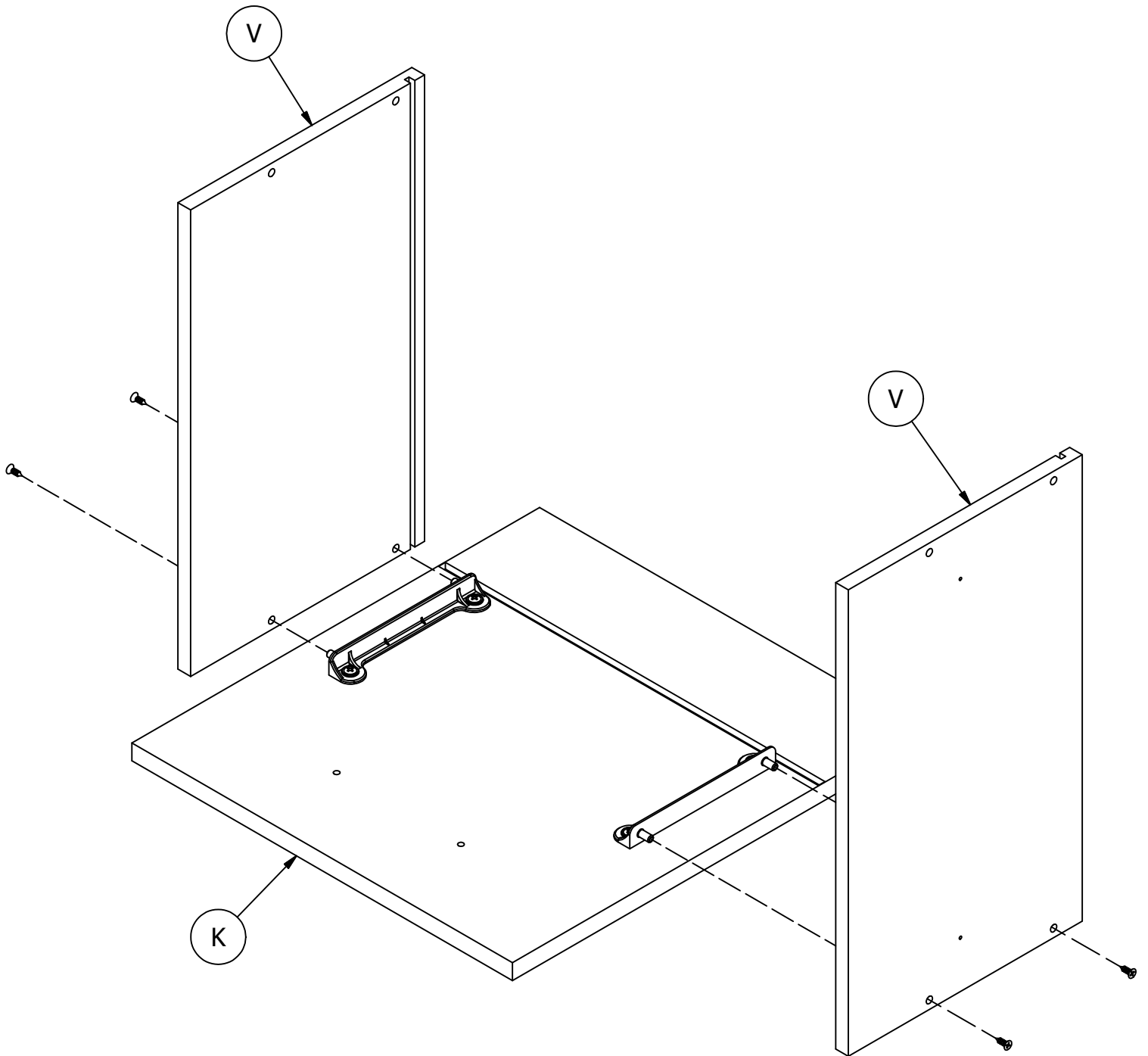
Have an assembly question or need a replacement part? Just call  
**1-800-950-4782**, we are here to help.

# STEP 5

# Assemble Panels

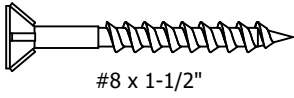
A189223F

H128624 [ 4 ]  
(Black) #8 x .5"

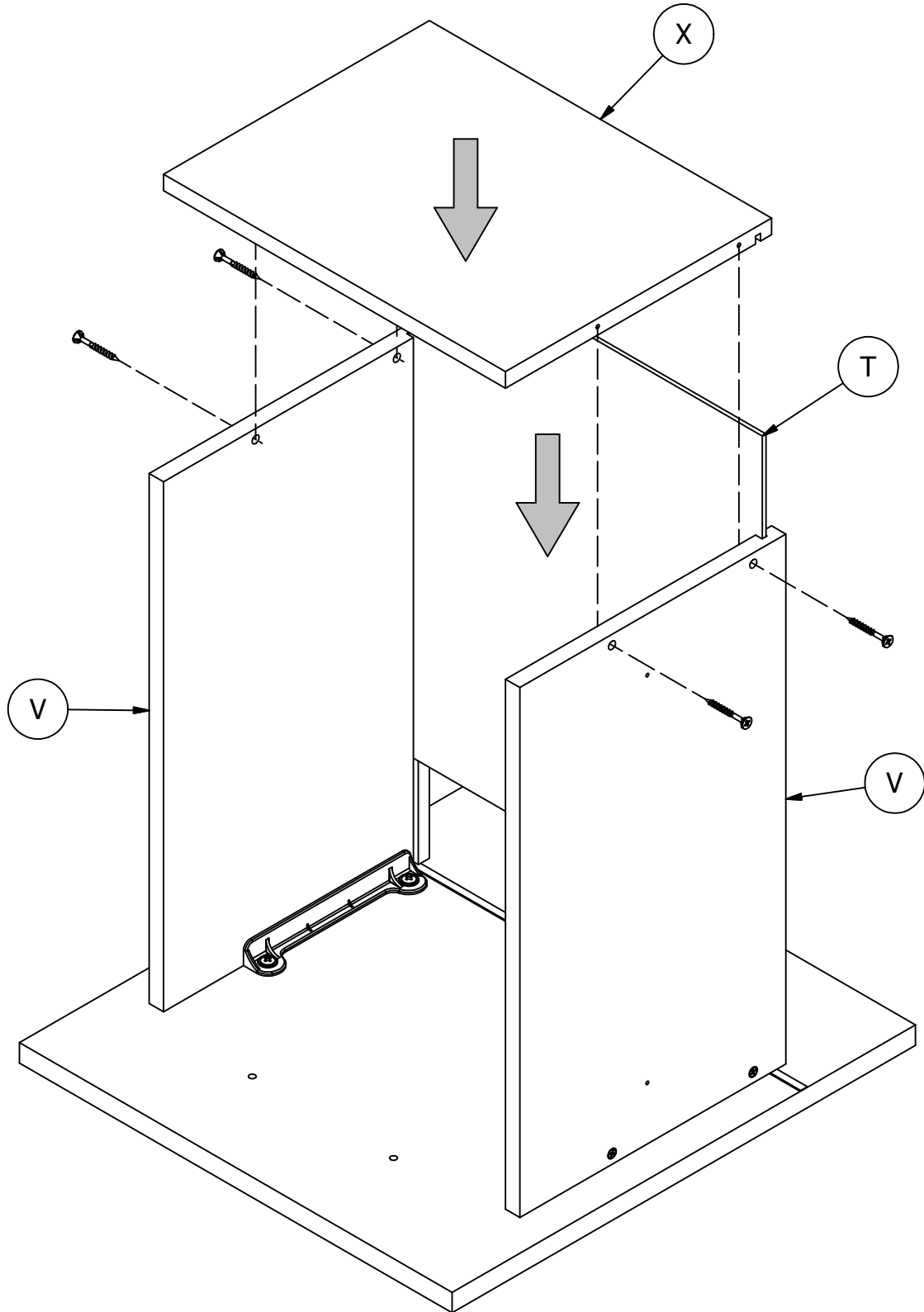


Have an assembly question or need a replacement part? Just call  
**1-800-950-4782**, we are here to help.

H150333



[ 4 ]

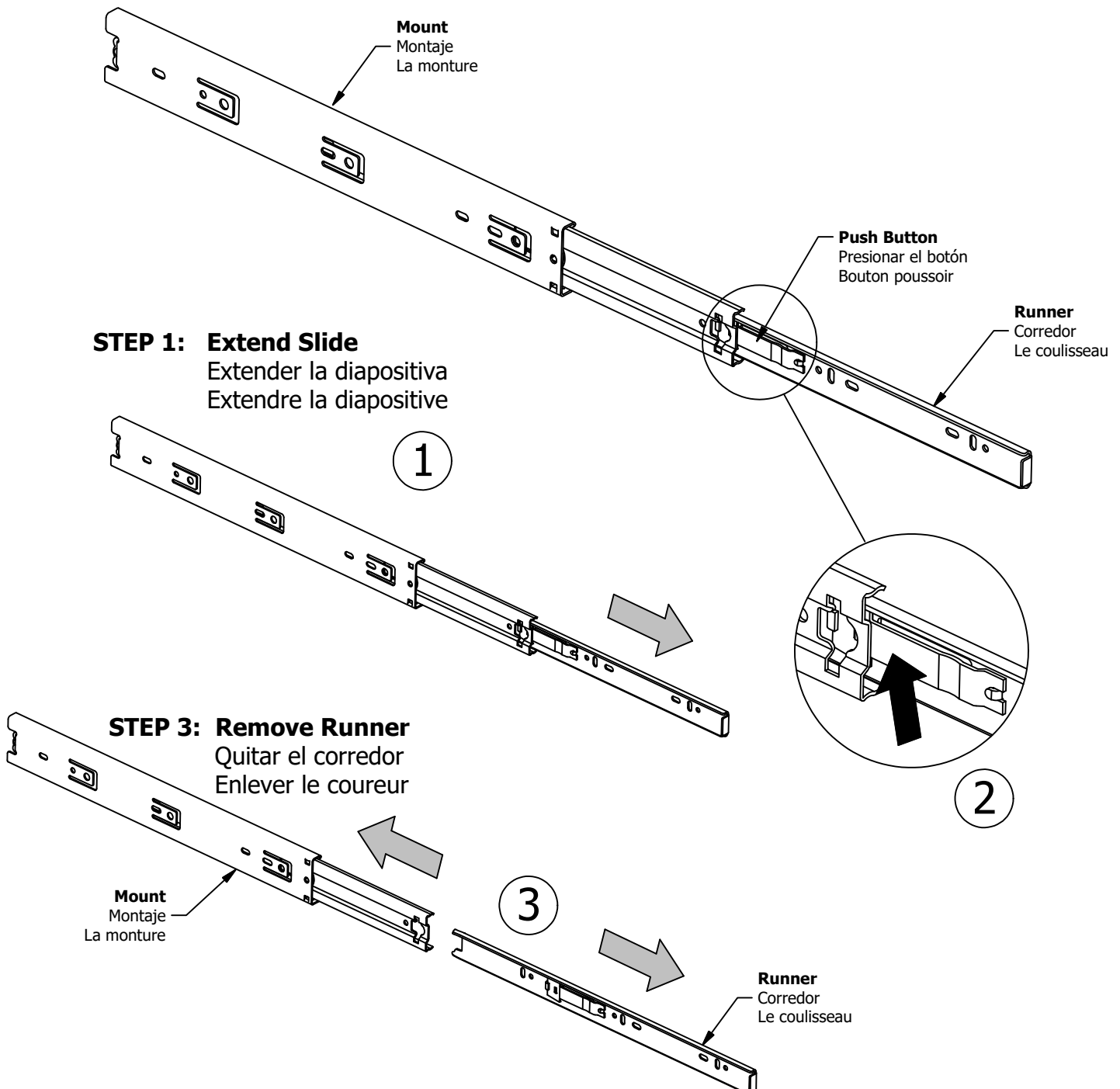


Have an assembly question or need a replacement part? Just call  
**1-800-950-4782**, we are here to help.

**Slides Must Be Separated Before Assembly.  
After Separated, Set Aside Until Needed for Assembly.**

Las diapositivas deben separarse antes del montaje.  
Después de la separación, déjelo a un lado hasta que sea necesario.

Les glissières doivent être séparées avant l'assemblage.  
Après la séparation, mettez de côté jusqu'au moment de l'assemblage.

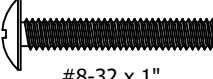


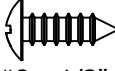
Have an assembly question or need a replacement part? Just call  
**1-800-950-4782**, we are here to help.

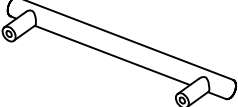
# STEP 8

# Attach Hardware

A189223F

H88315  [ 2 ]  
#8-32 x 1"

H192100  [ 4 ]  
#8 x 1/2"

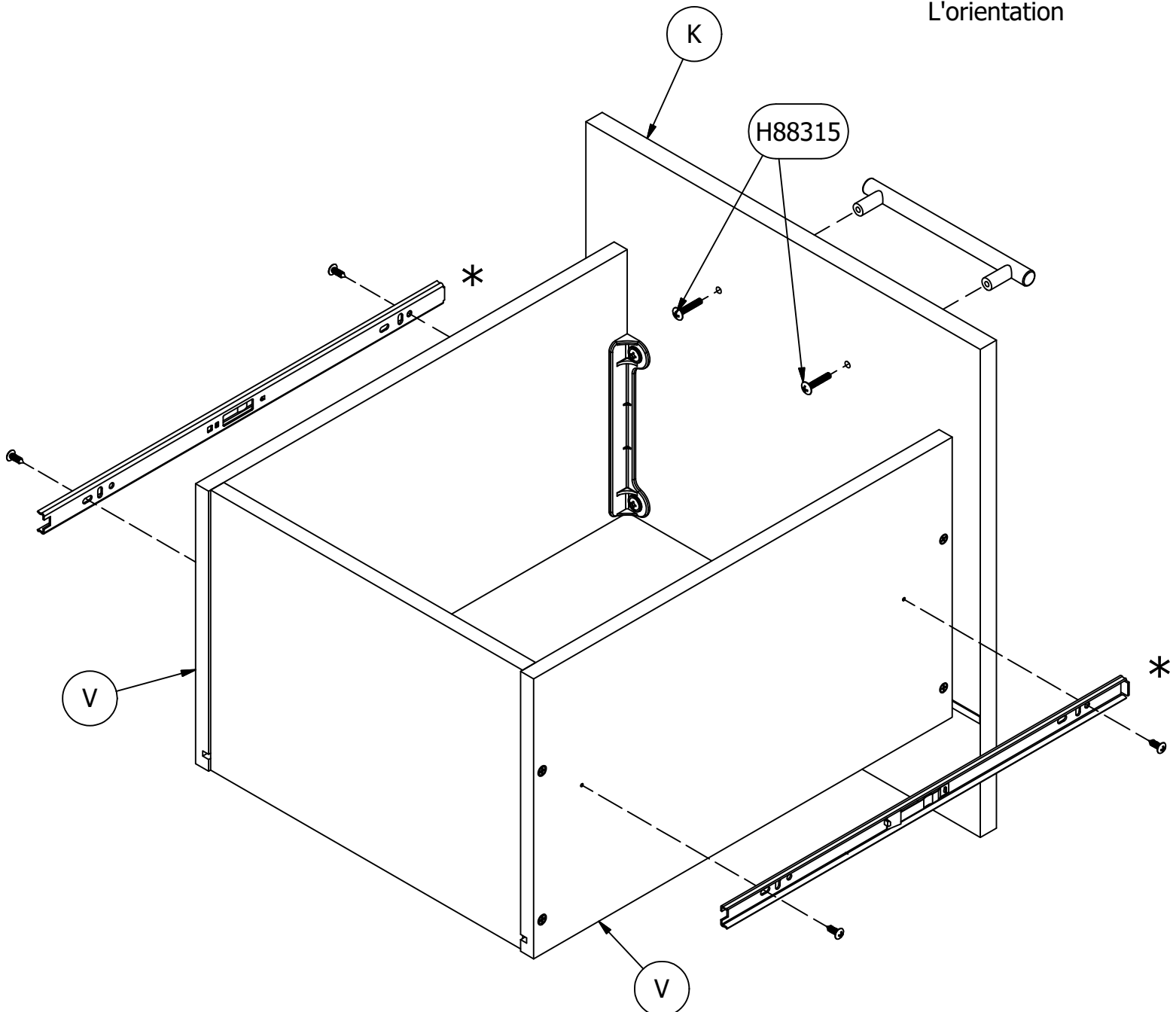
 [ 1 ]

Q216346

16" Slide Runner

[ 2 ]

Orientation  
Orientación  
L'orientation



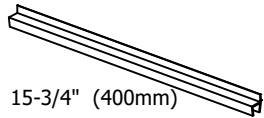
Have an assembly question or need a replacement part? Just call  
**1-800-950-4782**, we are here to help.

# STEP 9

# Attach Hardware

A189223F

H162488

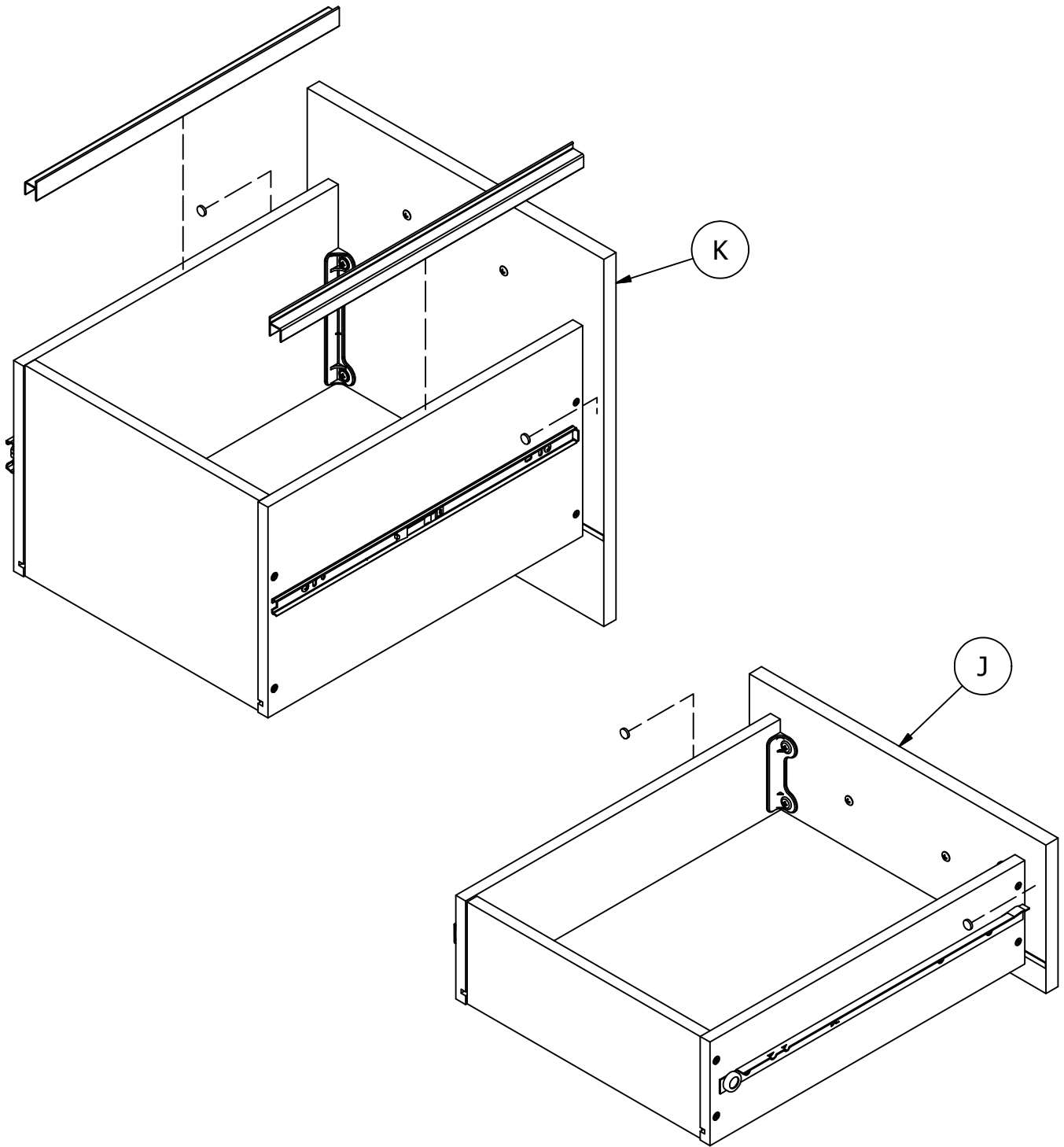


[ 2 ]

H215406



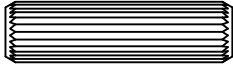
[ 4 ]



Have an assembly question or need a replacement part? Just call  
**1-800-950-4782**, we are here to help.

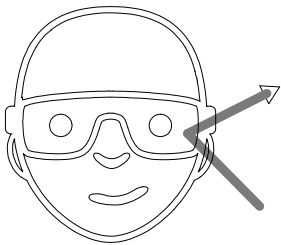
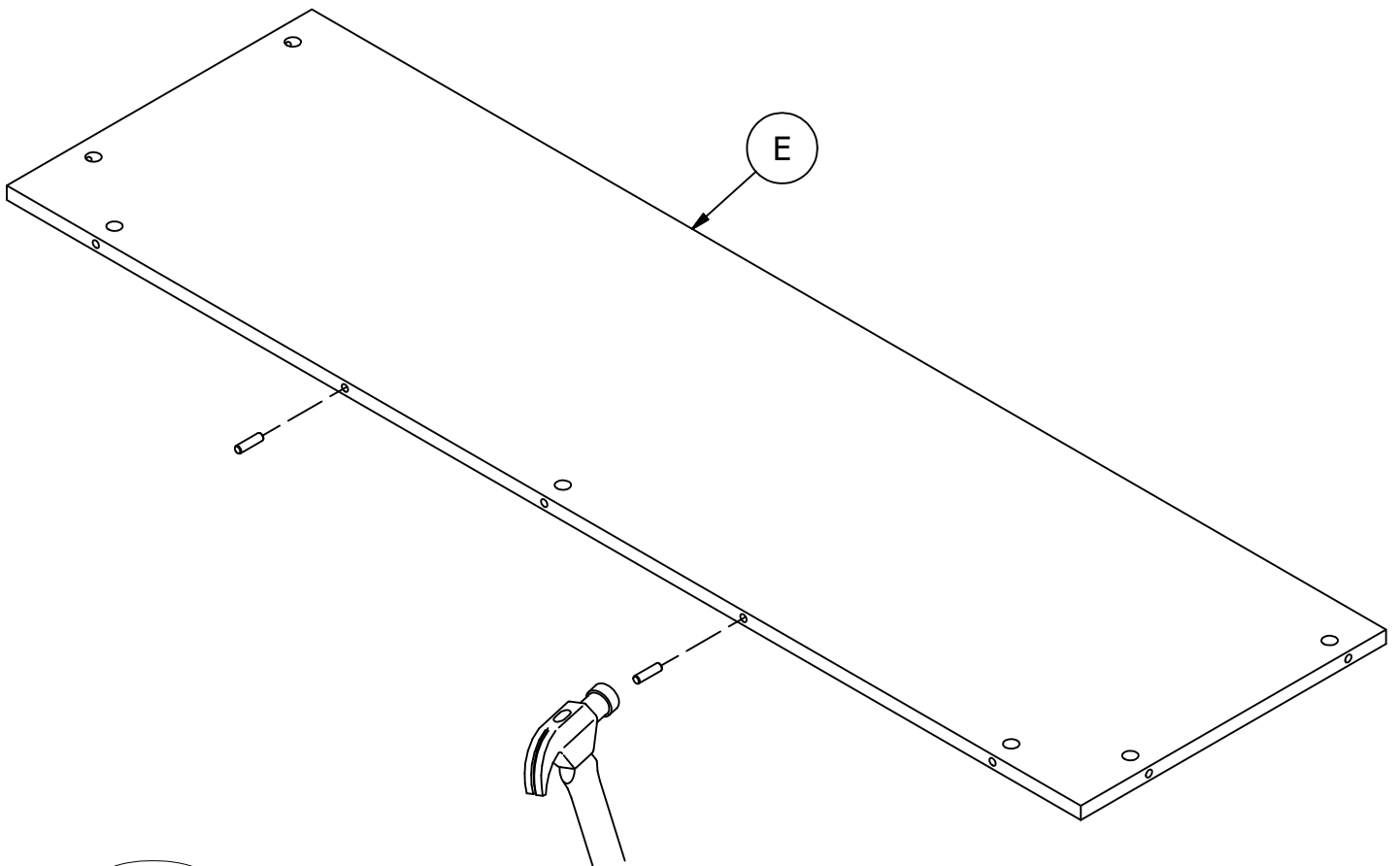


H38169



[ 2 ]

8 x 30mm



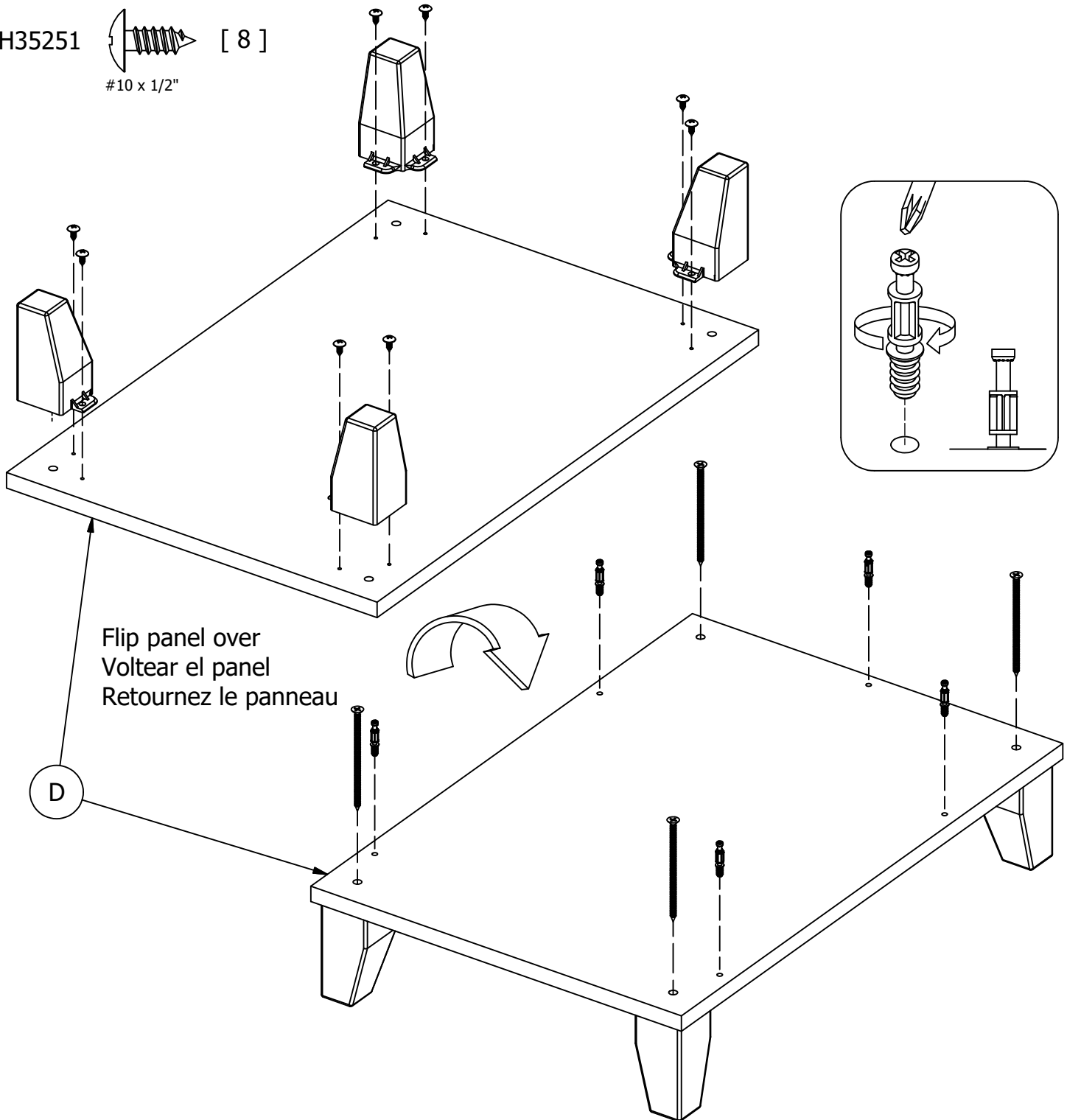
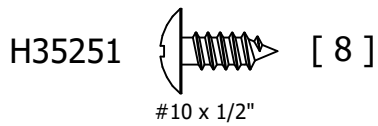
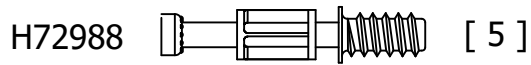
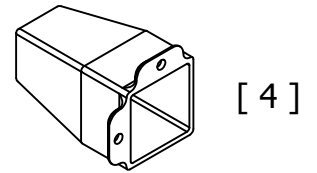
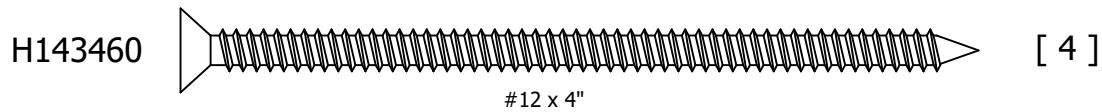
Safety glasses  
Gafas de seguridad  
Lunettes de protection

Have an assembly question or need a replacement part? Just call  
**1-800-950-4782**, we are here to help.

# STEP 11

# Prepare Panel

A189223F



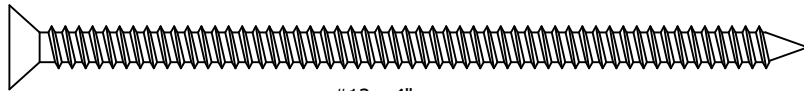
Have an assembly question or need a replacement part? Just call  
**1-800-950-4782**, we are here to help.

# STEP 12

# Prepare Panel

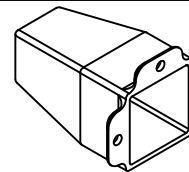
A189223F

H143460



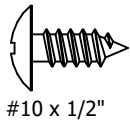
[ 2 ]

#12 x 4"



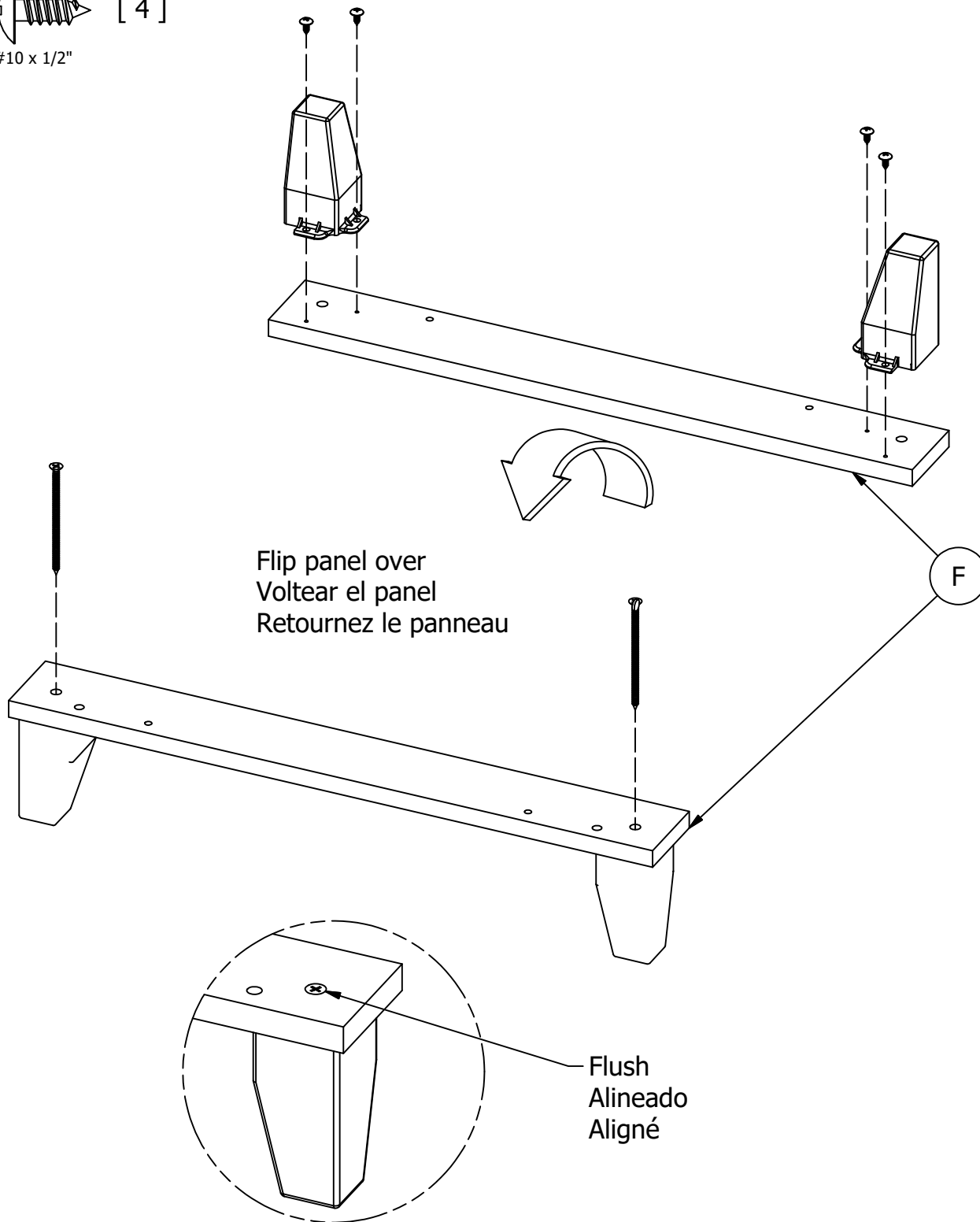
[ 2 ]

H35251



[ 4 ]

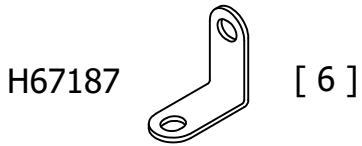
#10 x 1/2"



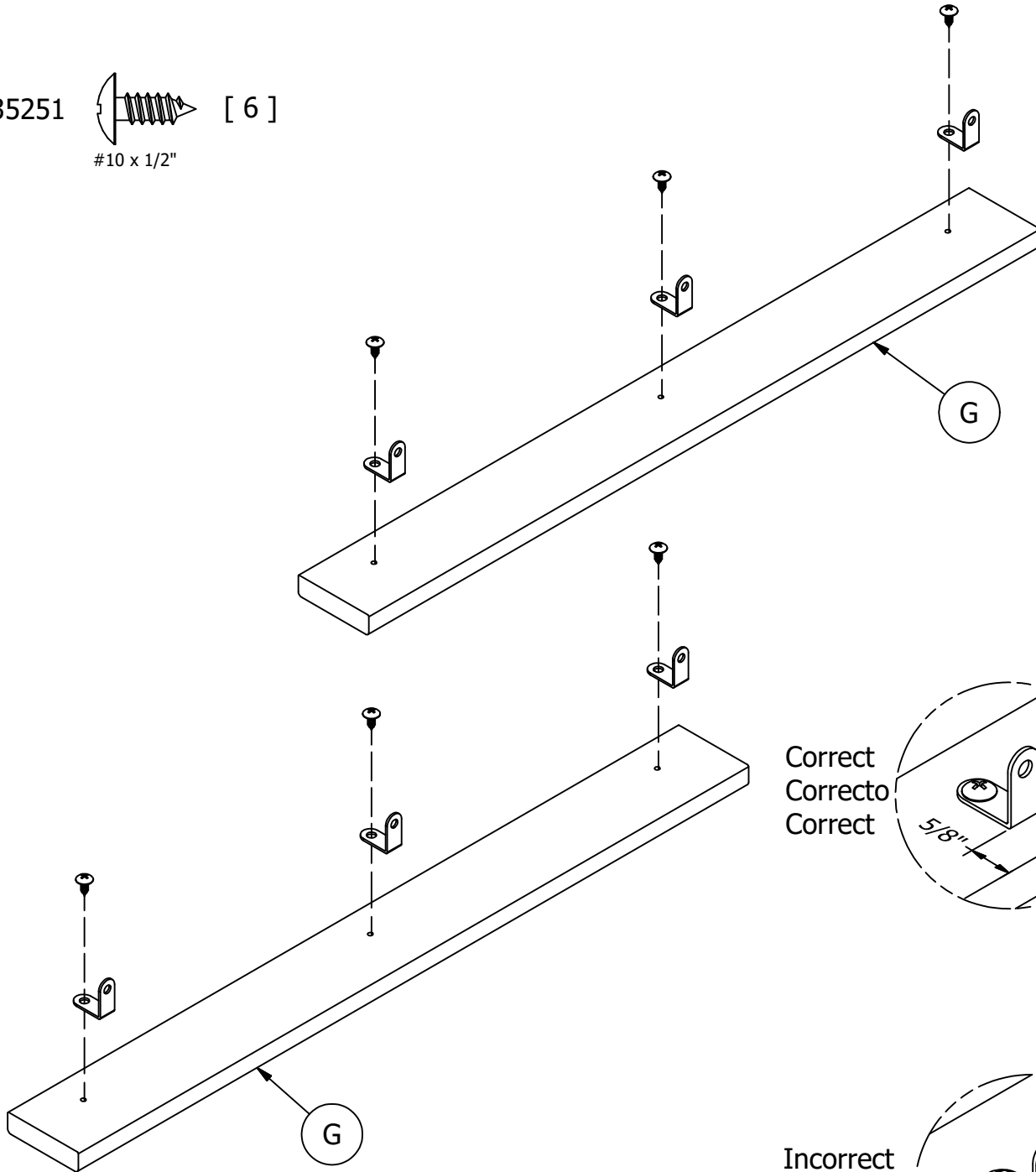
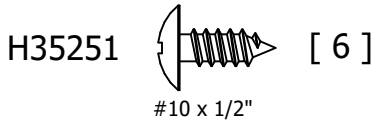
Flip panel over  
Voltear el panel  
Retournez le panneau

Flush  
Alineado  
Aligné

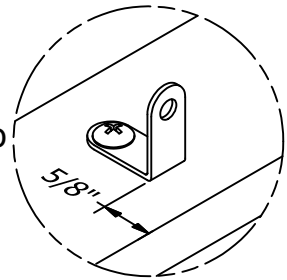
Have an assembly question or need a replacement part? Just call  
**1-800-950-4782**, we are here to help.



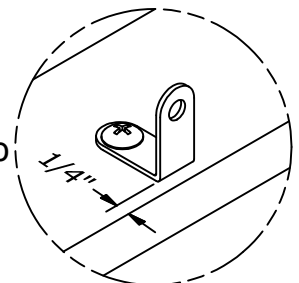
Do not fully tighten.  
No apriete completamente.  
Ne pas viser a fond.



Correct  
Correcto  
Correct



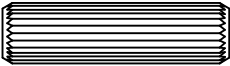
Incorrect  
Incorrecto  
Incorrect




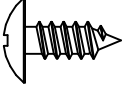
# STEP 14

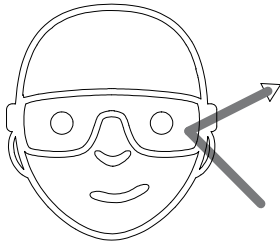
# Assemble Panels

A189223F

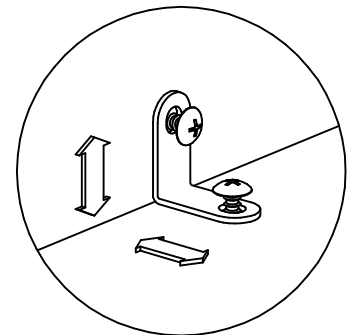
H38169  [ 4 ]  
8 x 30mm

H23491  [ 2 ]  
#10 x 2"

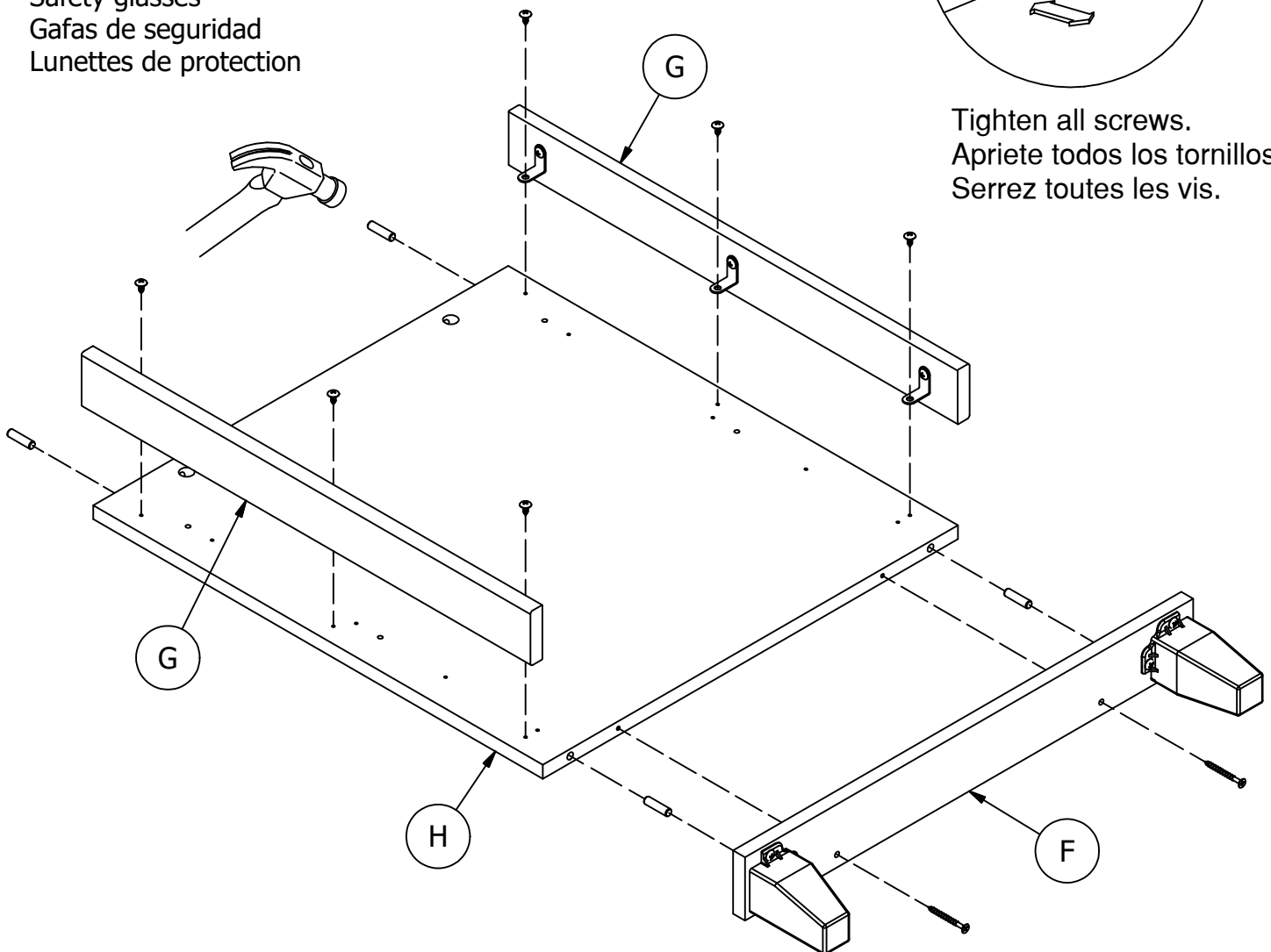
H35251  [ 6 ]  
#10 x 1/2"



Safety glasses  
Gafas de seguridad  
Lunettes de protection

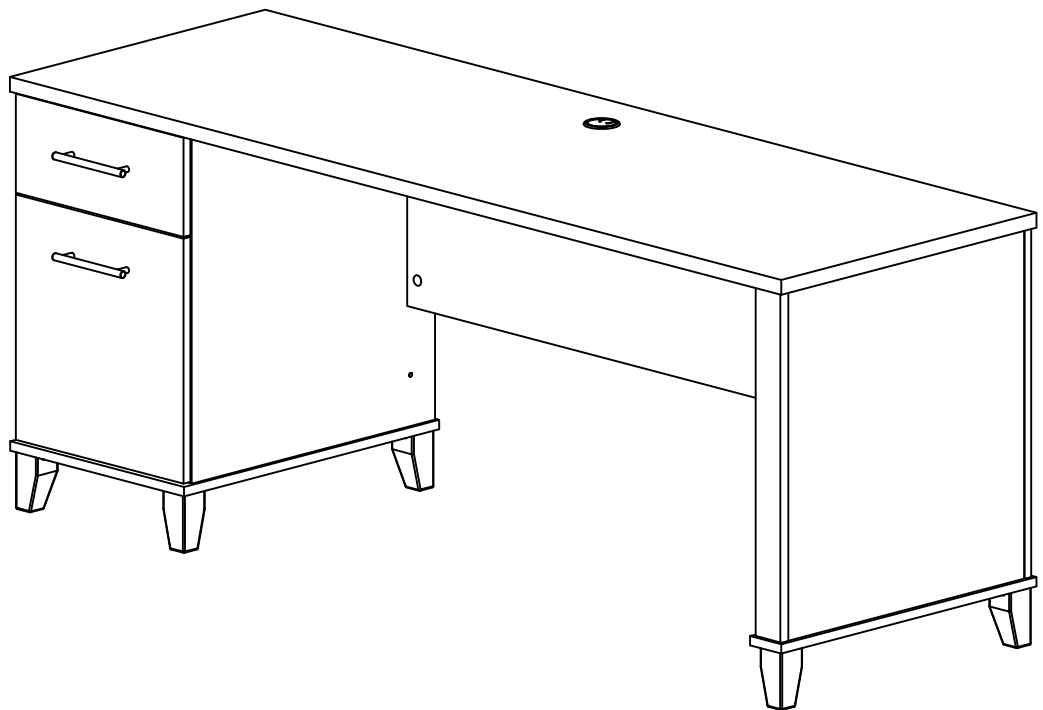


Tighten all screws.  
Apriete todos los tornillos.  
Serrez toutes les vis.



Have an assembly question or need a replacement part? Just call  
**1-800-950-4782**, we are here to help.

Go to Step 16.  
Proceda al paso 16.  
Allez à l'étape 16.



Go to Step 26.  
Proceda al paso 26.  
Allez à l'étape 26.




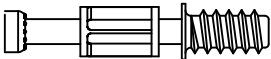
Have an assembly question or need a replacement part? Just call  
**1-800-950-4782**, we are here to help.

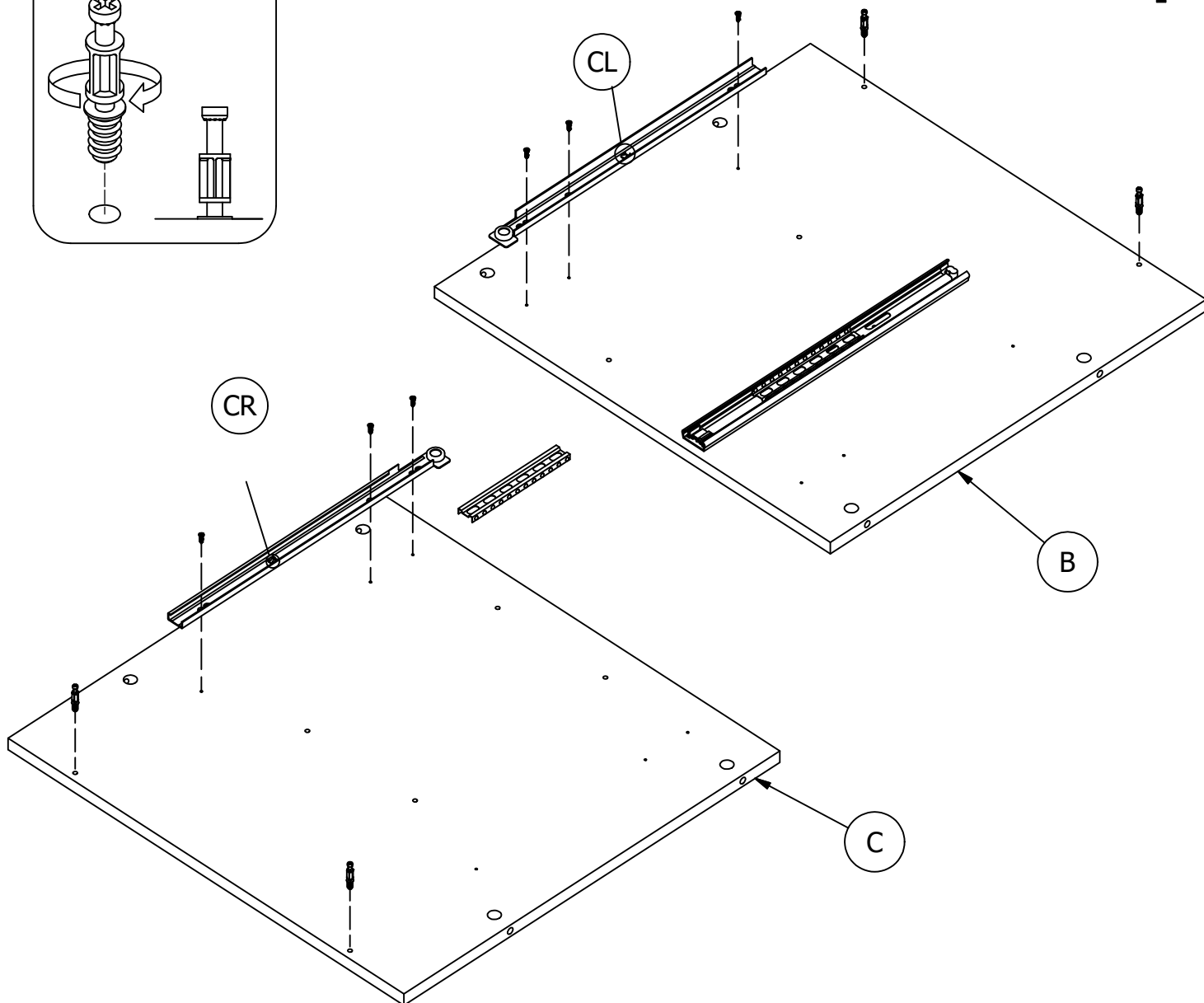
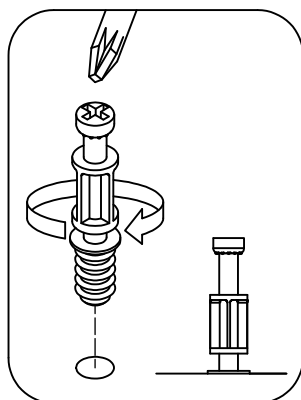
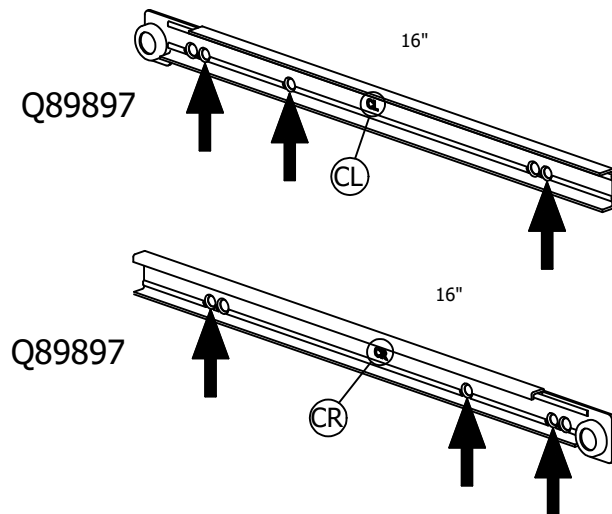
# STEP 16

# Prepare Panels

A189223F

H28917  [ 6 ]  
#6 x 1/2"

H72988  [ 4 ]



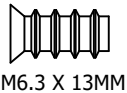
Have an assembly question or need a replacement part? Just call  
**1-800-950-4782**, we are here to help.

# STEP 17

# Attach Hardware

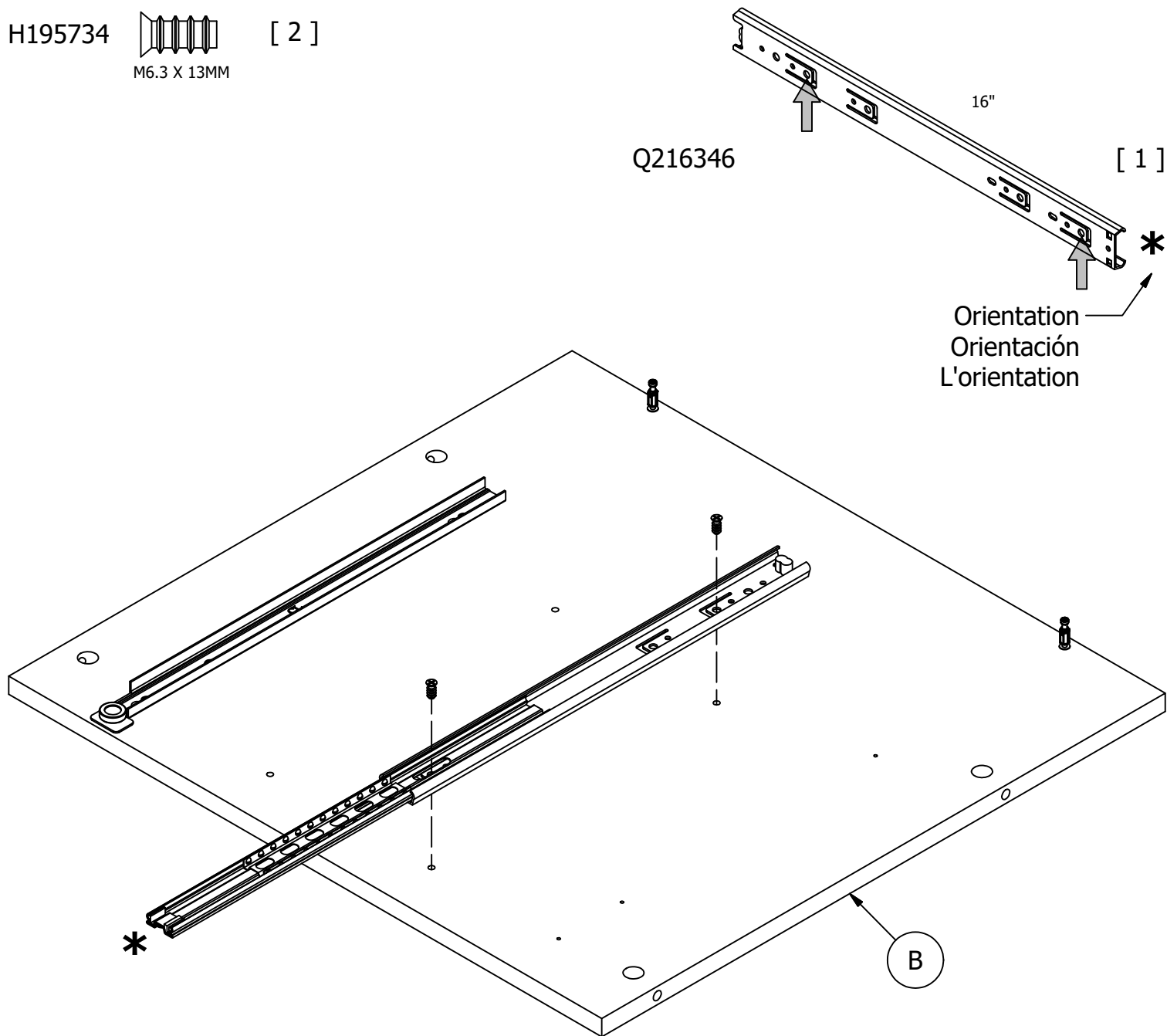
A189223F

H195734



[ 2 ]

M6.3 X 13MM




Have an assembly question or need a replacement part? Just call  
**1-800-950-4782**, we are here to help.




# STEP 18

# Attach Hardware

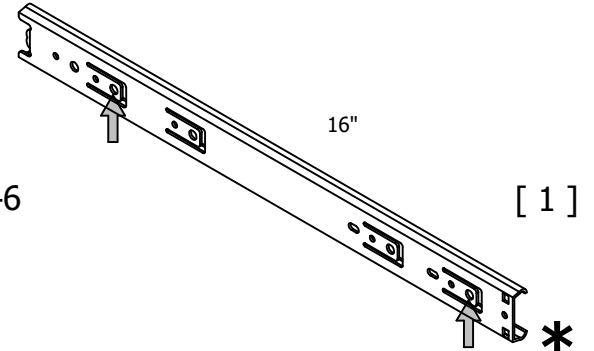
A189223F

H195734  [ 2 ]  
M6.3 X 13MM

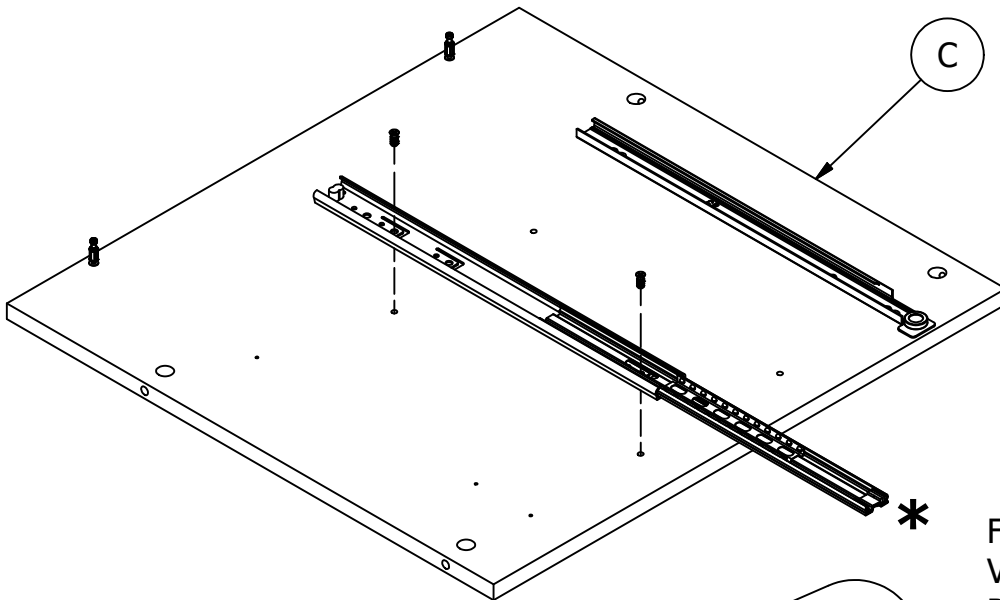
 [ 1 ]  
5mm

H72988  [ 2 ]

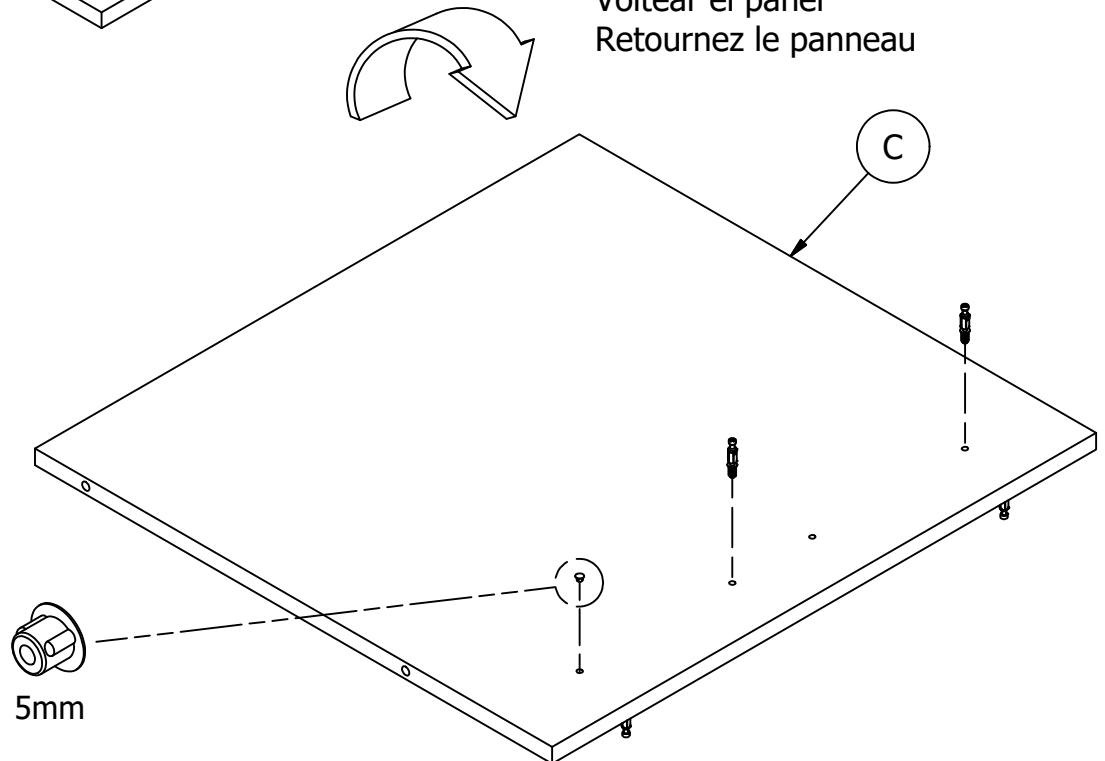
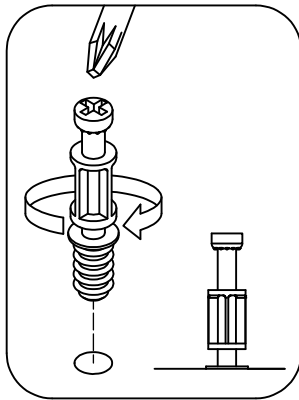
Q216346



Orientation  
Orientación  
L'orientation



Flip panel over  
Voltear el panel  
Retournez le panneau



Have an assembly question or need a replacement part? Just call **1-800-950-4782**, we are here to help.

# STEP 19

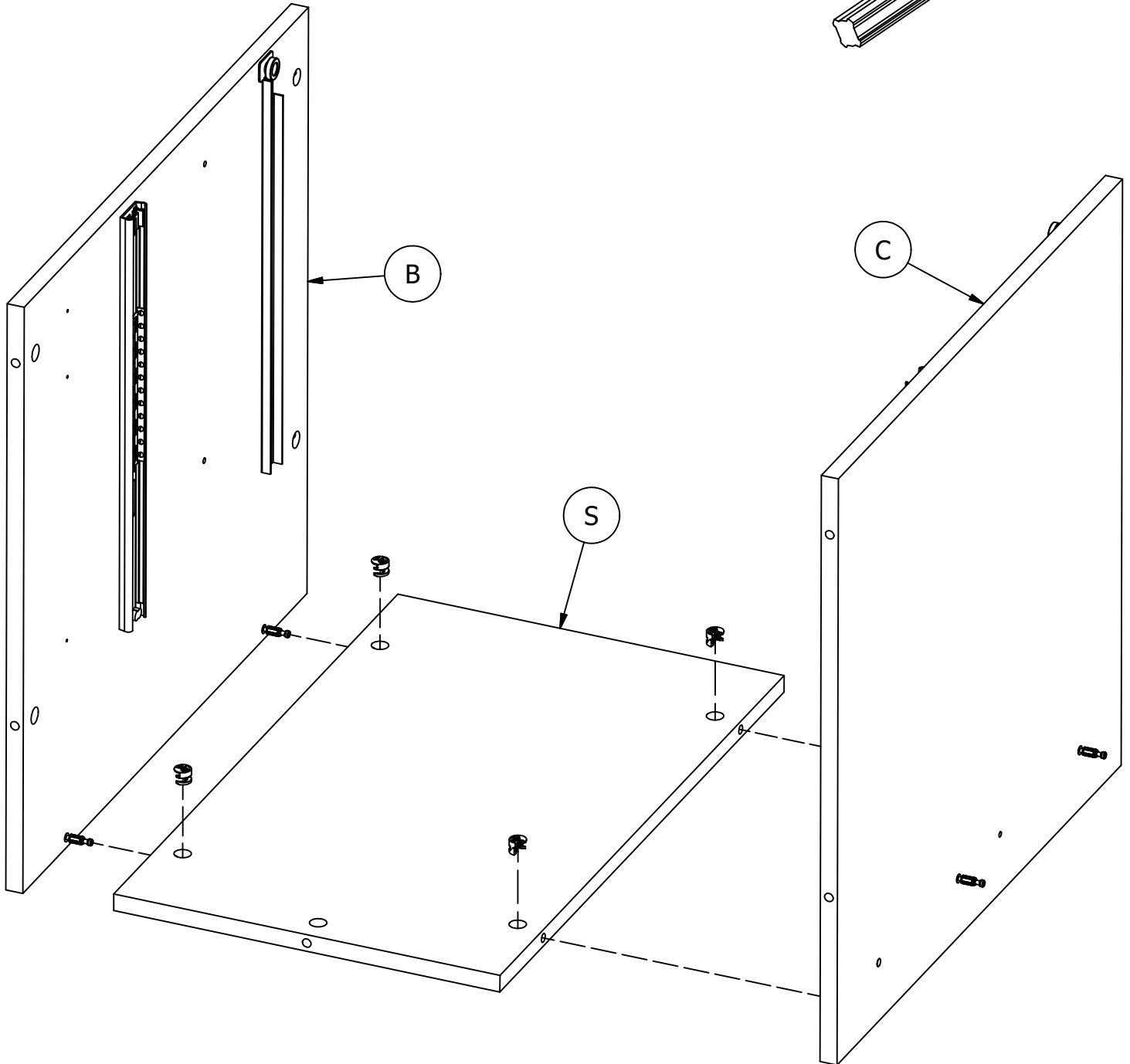
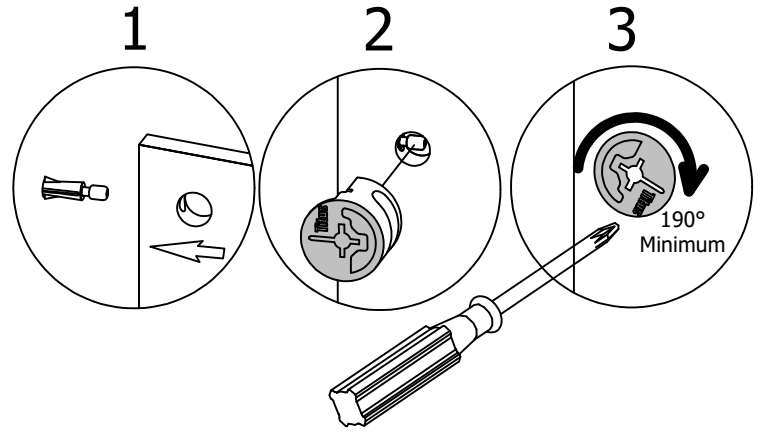
# Assemble Panels

A189223F

H181468US



[ 4 ]



Have an assembly question or need a replacement part? Just call **1-800-950-4782**, we are here to help.

# STEP 20

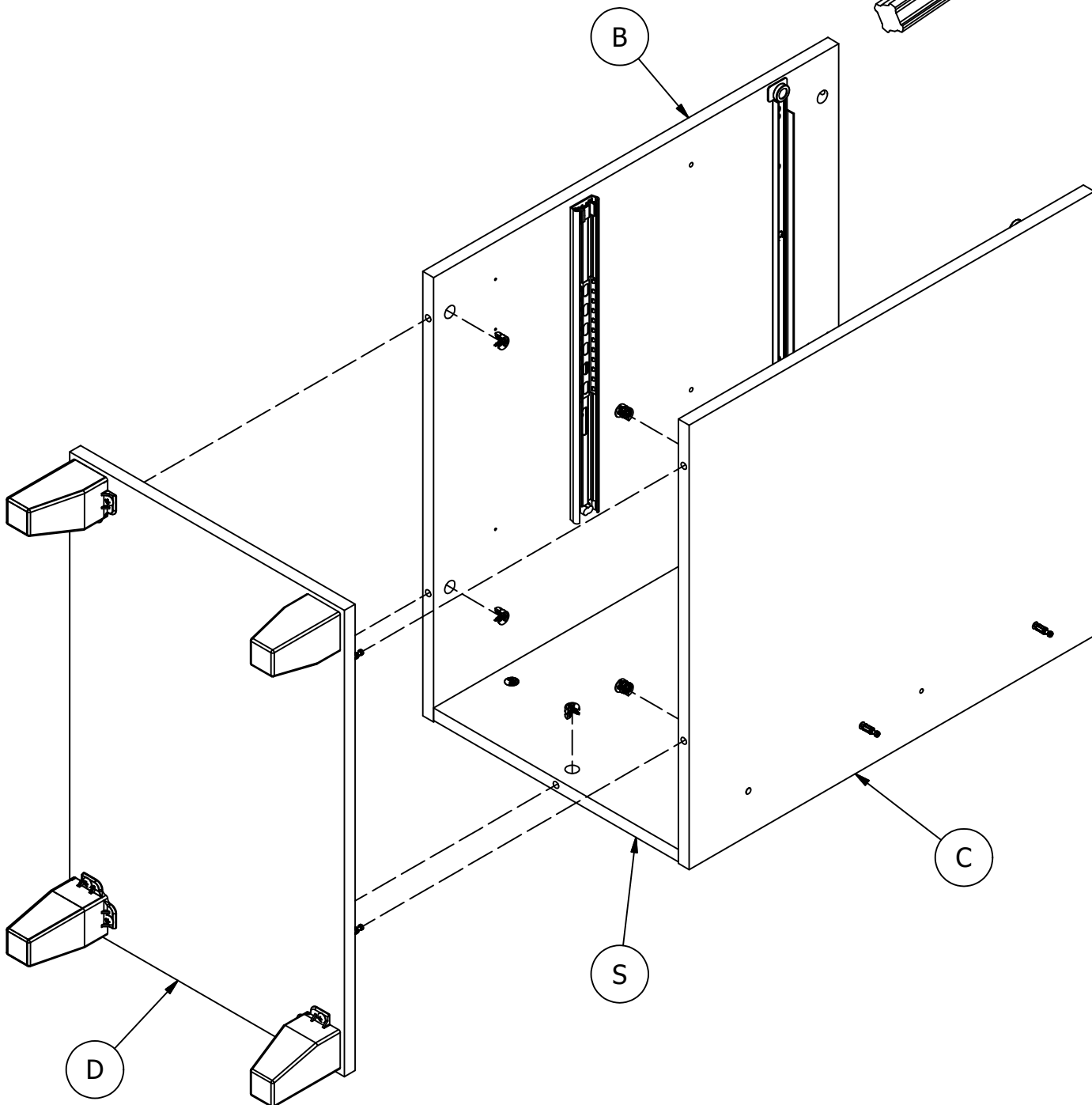
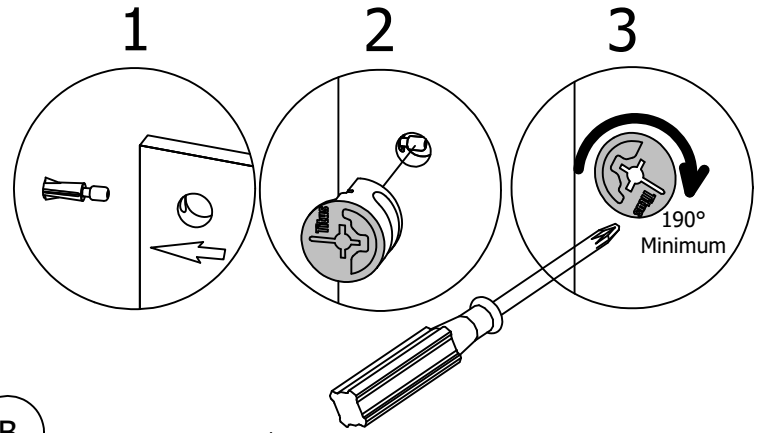
# Assemble Panels

A189223F

H181468US



[ 5 ]

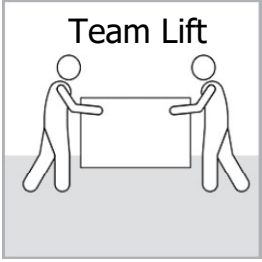


Have an assembly question or need a replacement part? Just call **1-800-950-4782**, we are here to help.

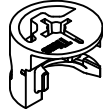
# STEP 21

## Assemble Panels

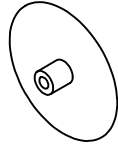
A189223F



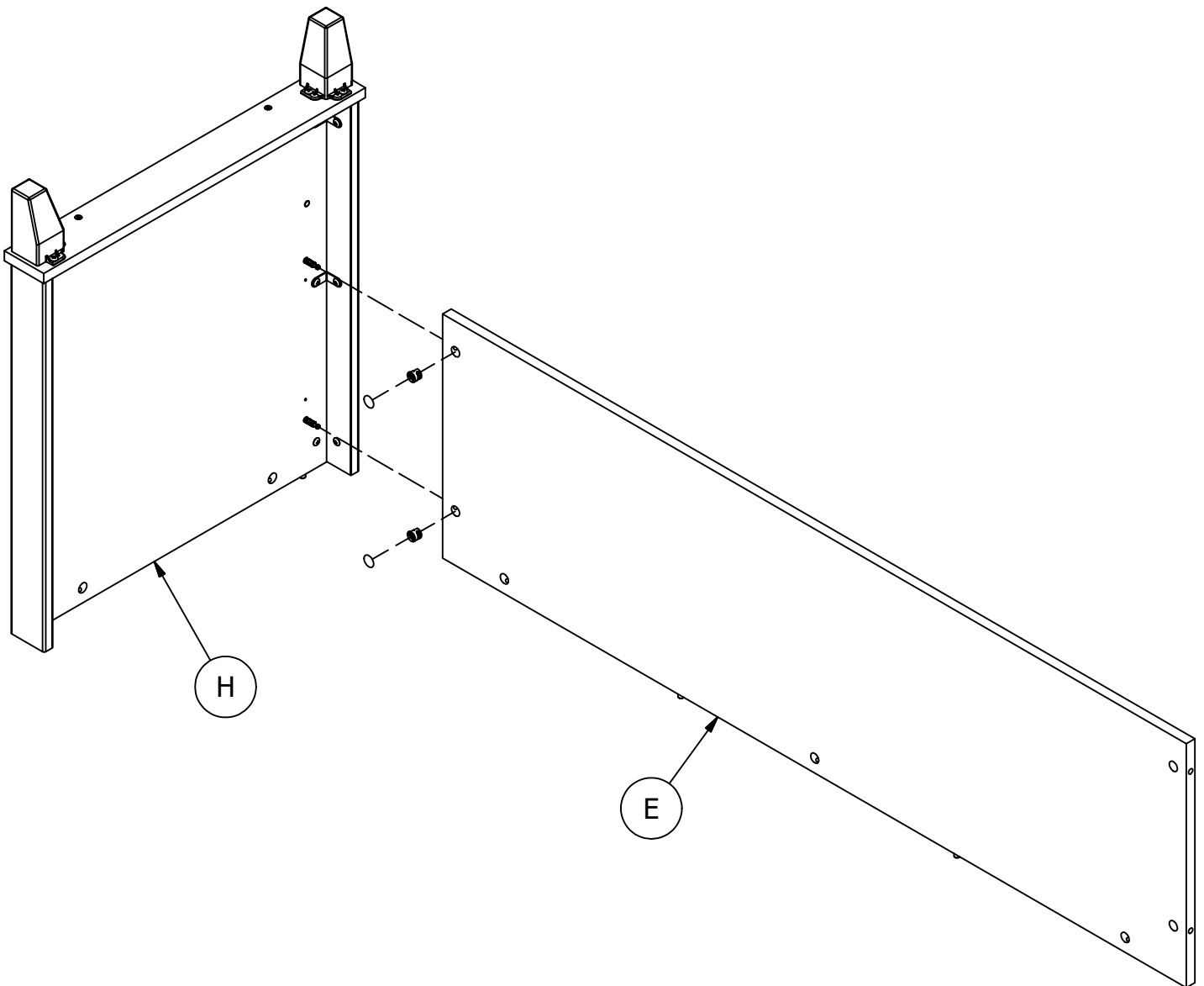
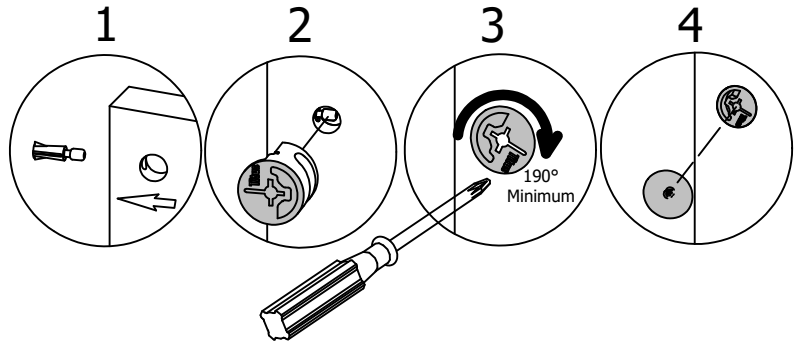
H181468US



[ 2 ]



[ 2 ]



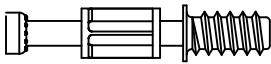
Have an assembly question or need a replacement part? Just call **1-800-950-4782**, we are here to help.

# STEP 22

# Attach Hardware

A189223F

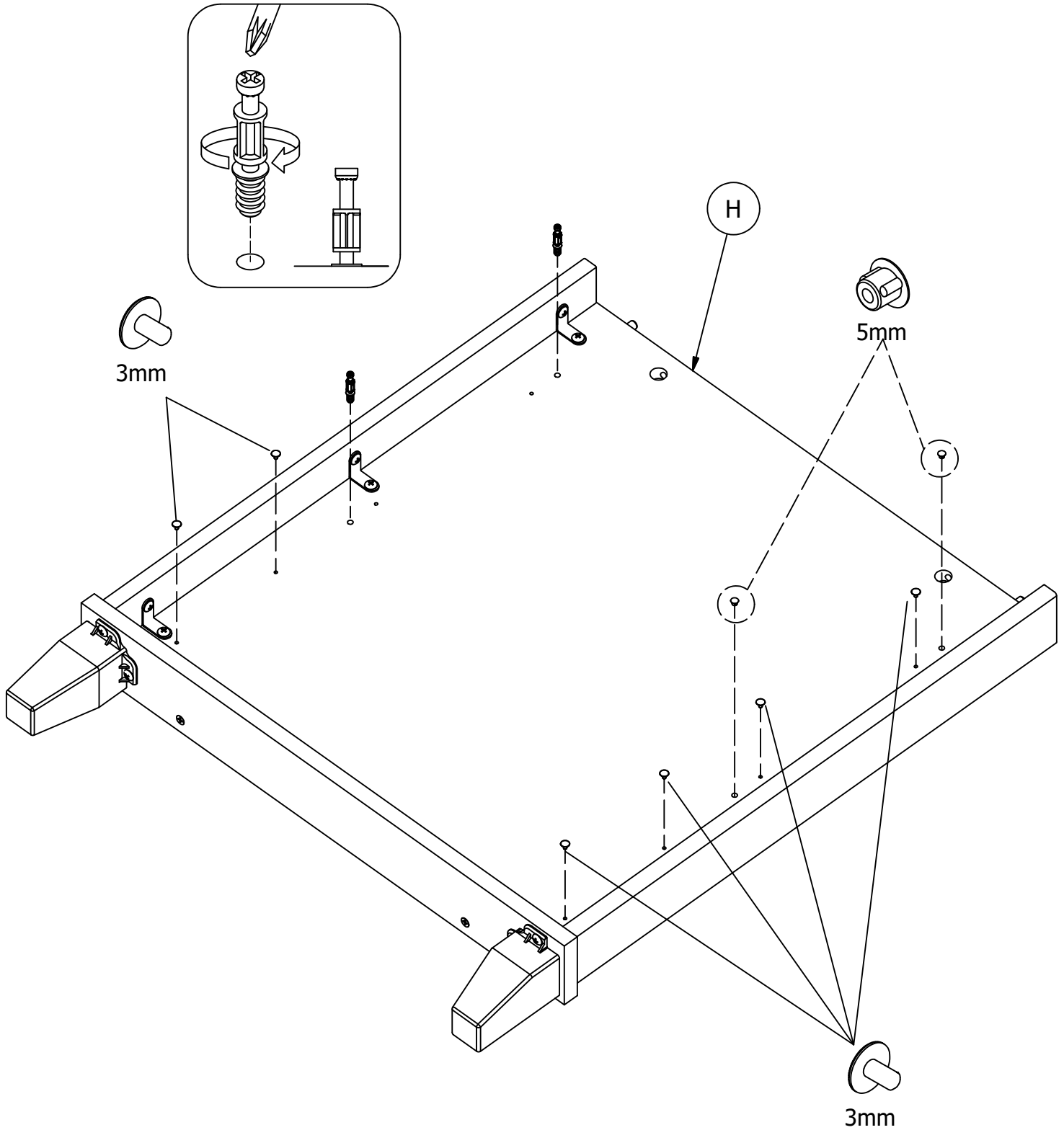
H72988 [ 2 ]



[ 2 ]  
5mm



[ 6 ]  
3mm

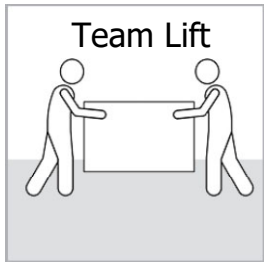


Have an assembly question or need a replacement part? Just call  
**1-800-950-4782**, we are here to help.

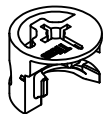
# STEP 23

# Assemble Panels

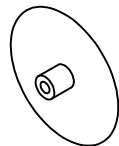
A189223F



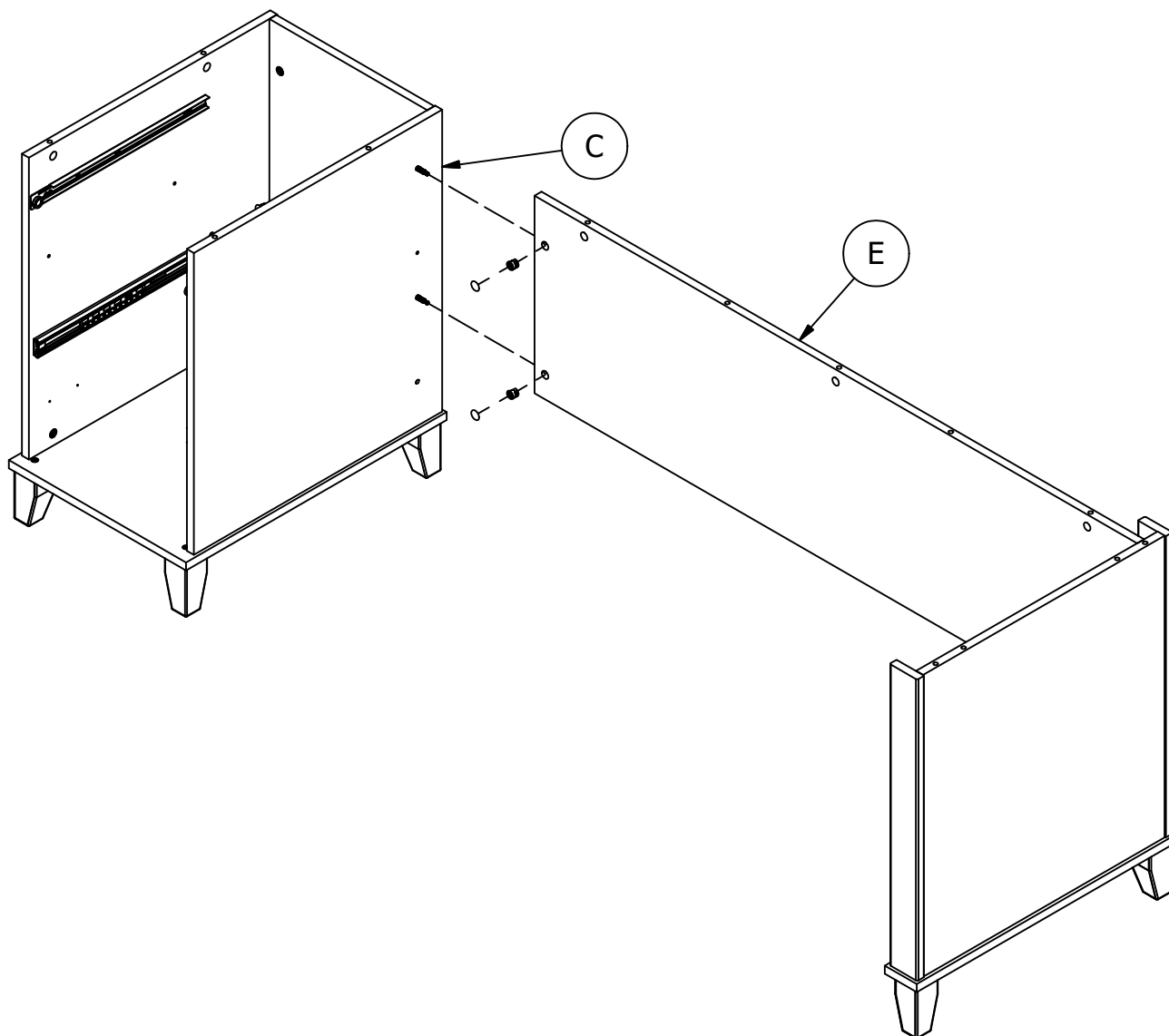
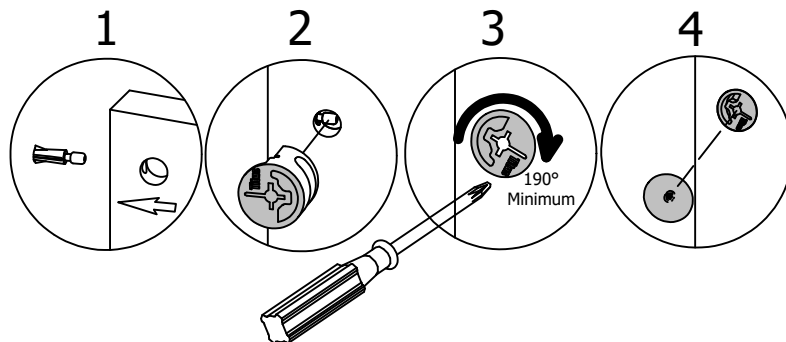
H181468US



[ 2 ]

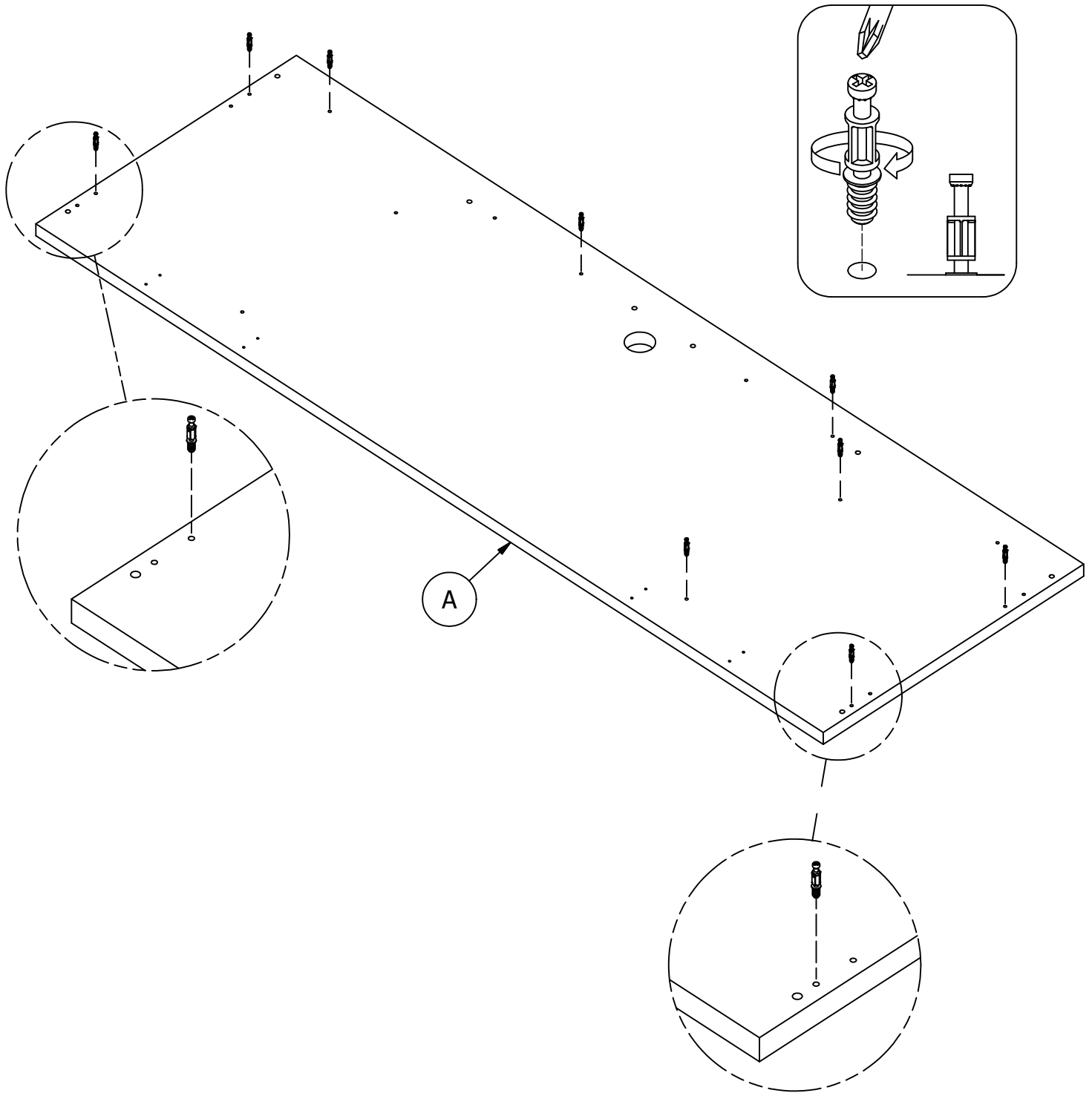


[ 2 ]



Have an assembly question or need a replacement part? Just call  
**1-800-950-4782**, we are here to help.

H72988  [ 9 ]

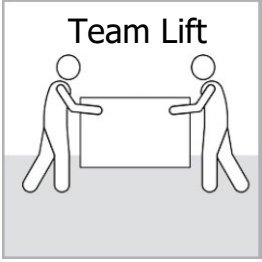


Have an assembly question or need a replacement part? Just call  
**1-800-950-4782**, we are here to help.

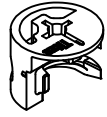
# STEP 25

# Assemble Panels

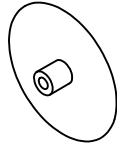
A189223F



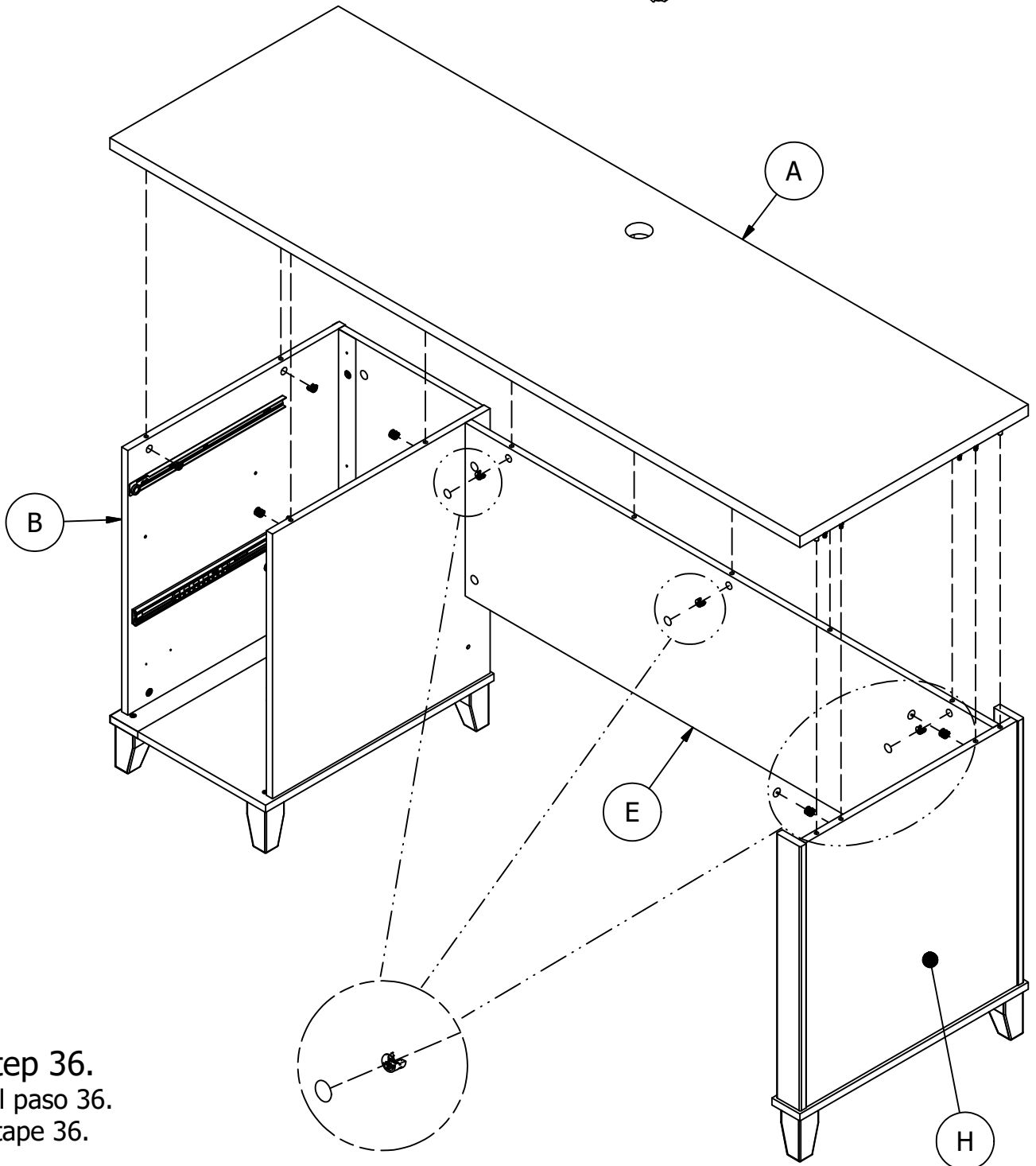
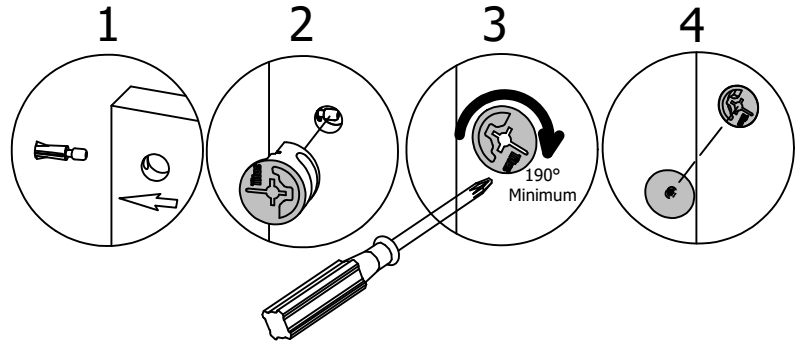
H181468US



[ 9 ]



[ 5 ]



Go to Step 36.  
Proceda al paso 36.  
Allez à l'étape 36.


Have an assembly question or need a replacement part? Just call  
**1-800-950-4782**, we are here to help.



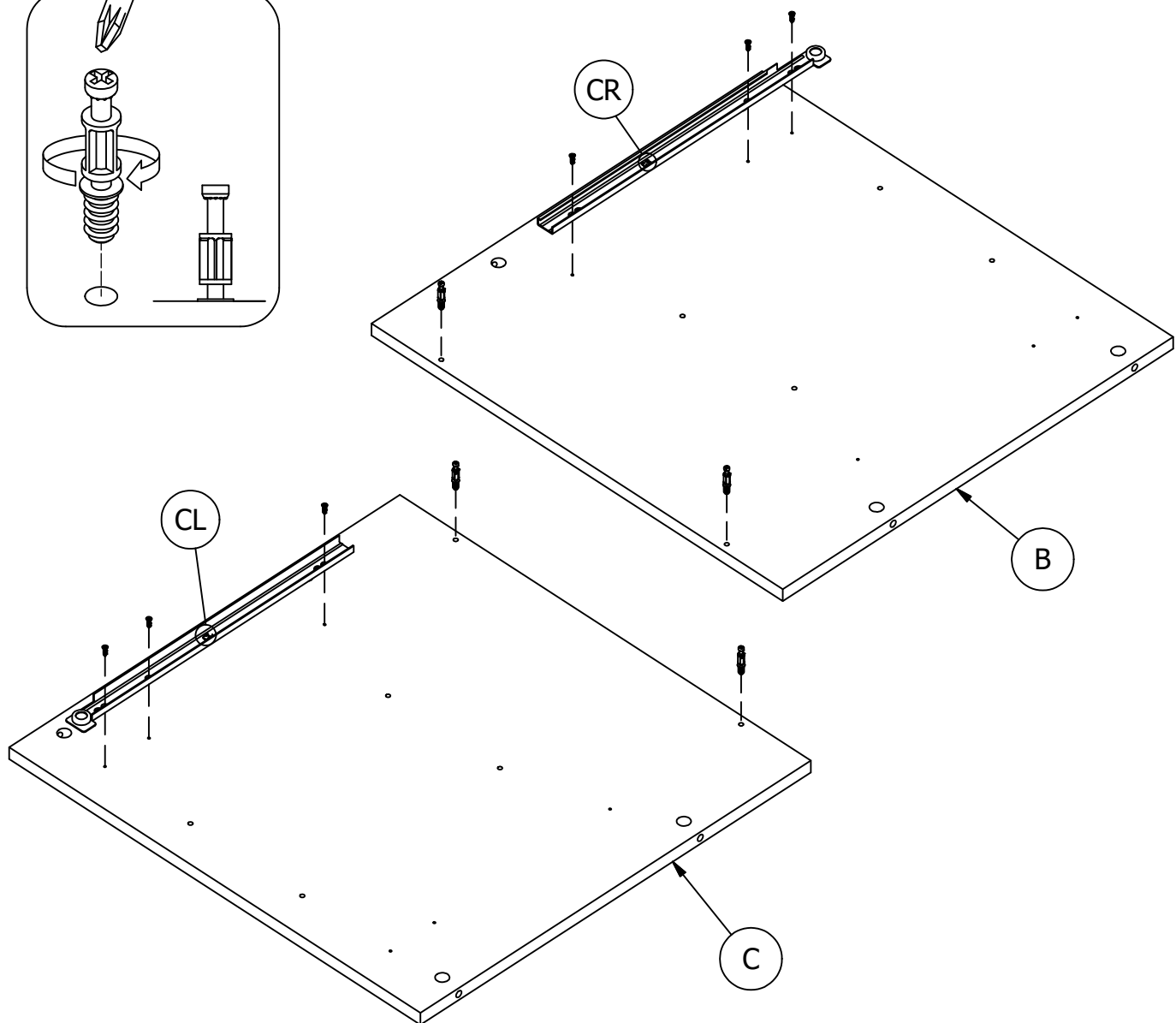
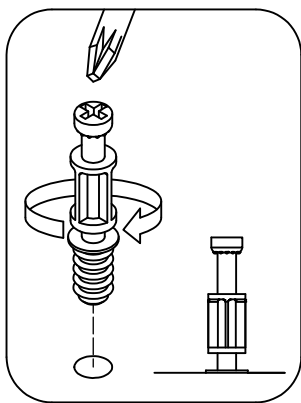
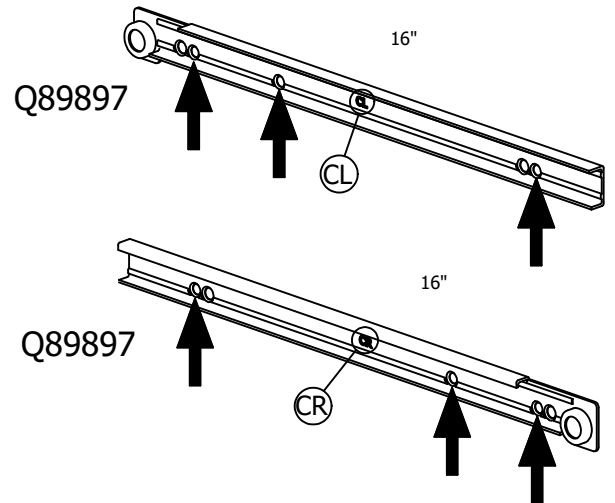
# STEP 26

# Prepare Panels

A189223F

H28917  [ 6 ]  
#6 x 1/2"

H72988  [ 4 ]



Have an assembly question or need a replacement part? Just call **1-800-950-4782**, we are here to help.

# STEP 27

# Attach Hardware

A189223F

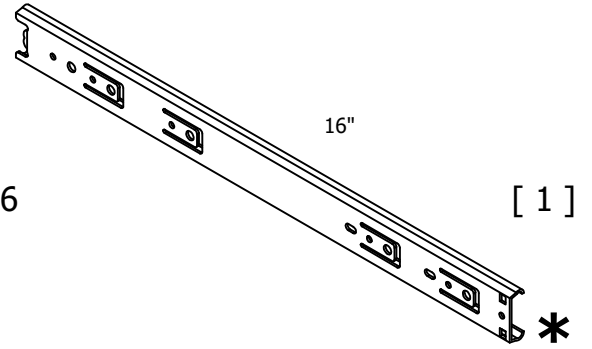
H195734



M6.3 X 13MM

[ 2 ]

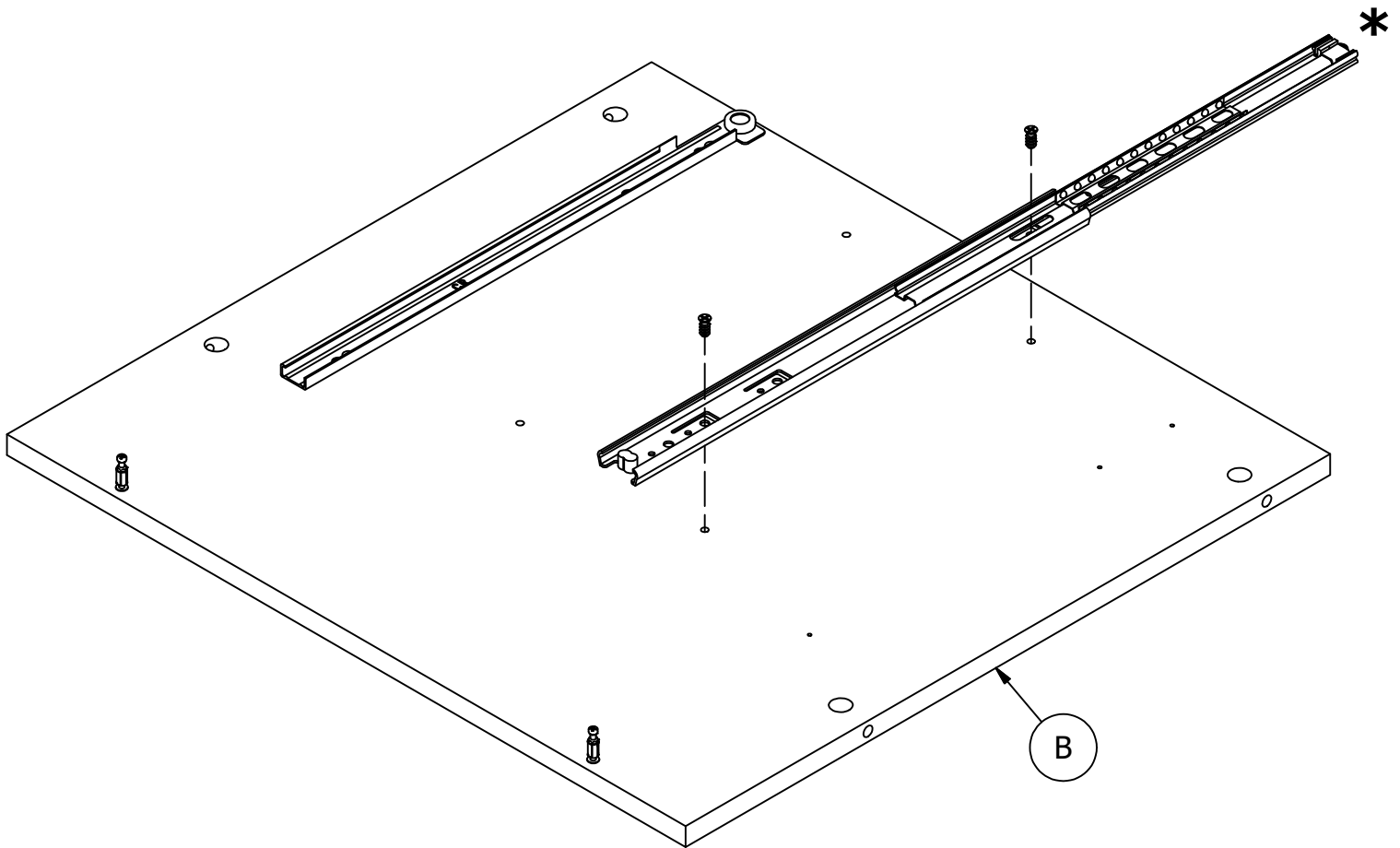
Q216346



16"

[ 1 ]

Orientation  
Orientación  
L'orientation



Have an assembly question or need a replacement part? Just call  
**1-800-950-4782**, we are here to help.

# STEP 28

# Attach Hardware

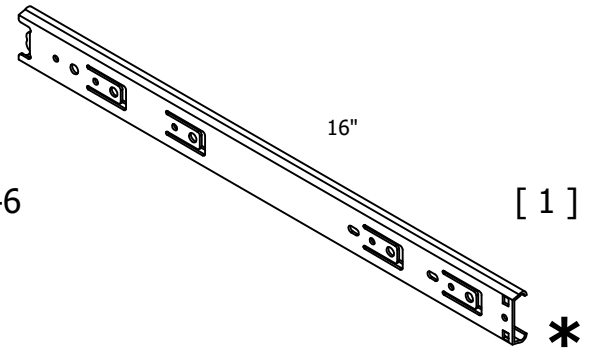
A189223F

H195734 [ 2 ]  
M6.3 X 13MM

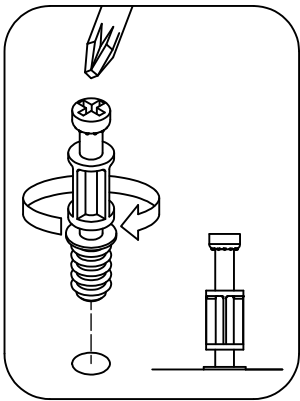
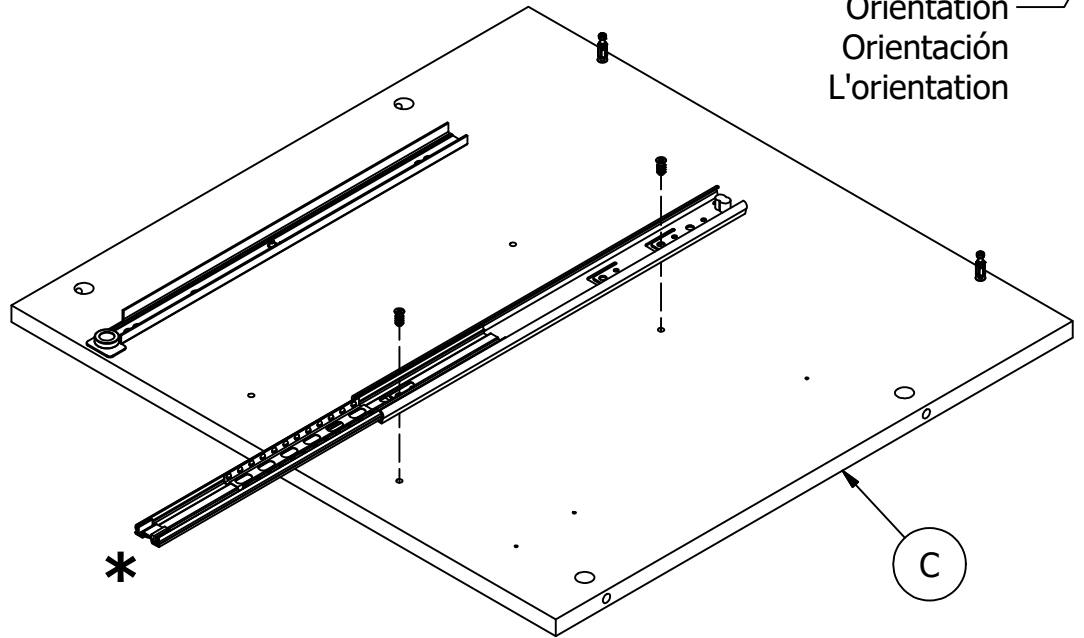
5mm [ 1 ]

H72988 [ 2 ]

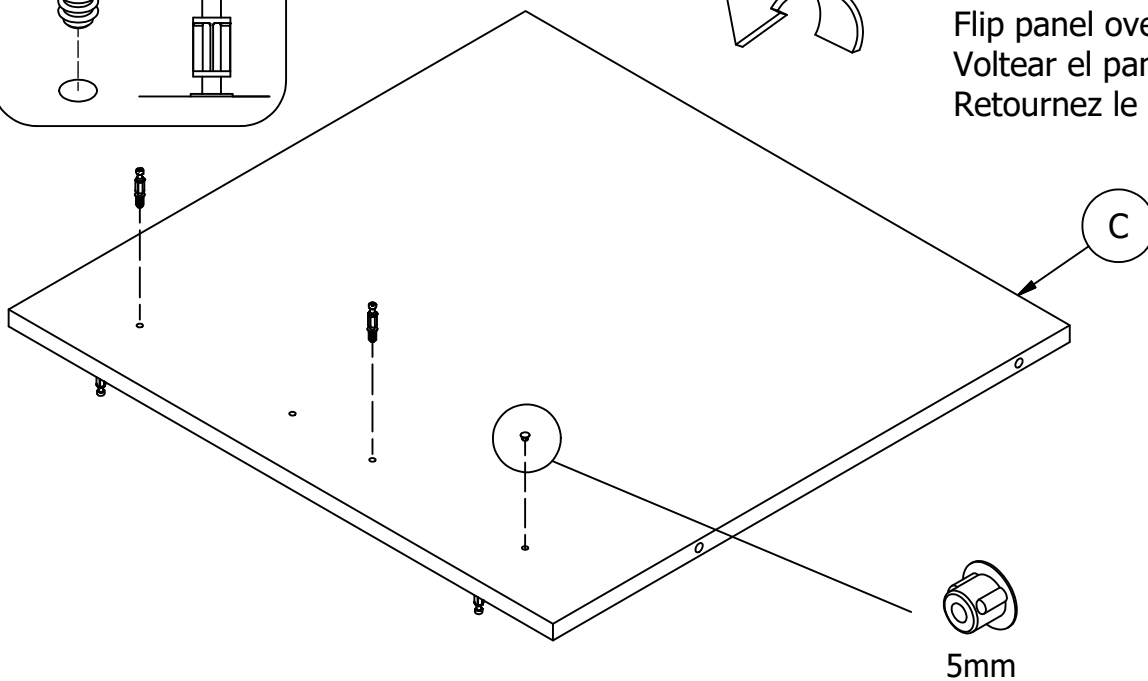
Q216346 [ 1 ]



Orientation  
Orientación  
L'orientation



Flip panel over  
Voltear el panel  
Retournez le panneau



5mm

Have an assembly question or need a replacement part? Just call  
**1-800-950-4782**, we are here to help.

# STEP 29

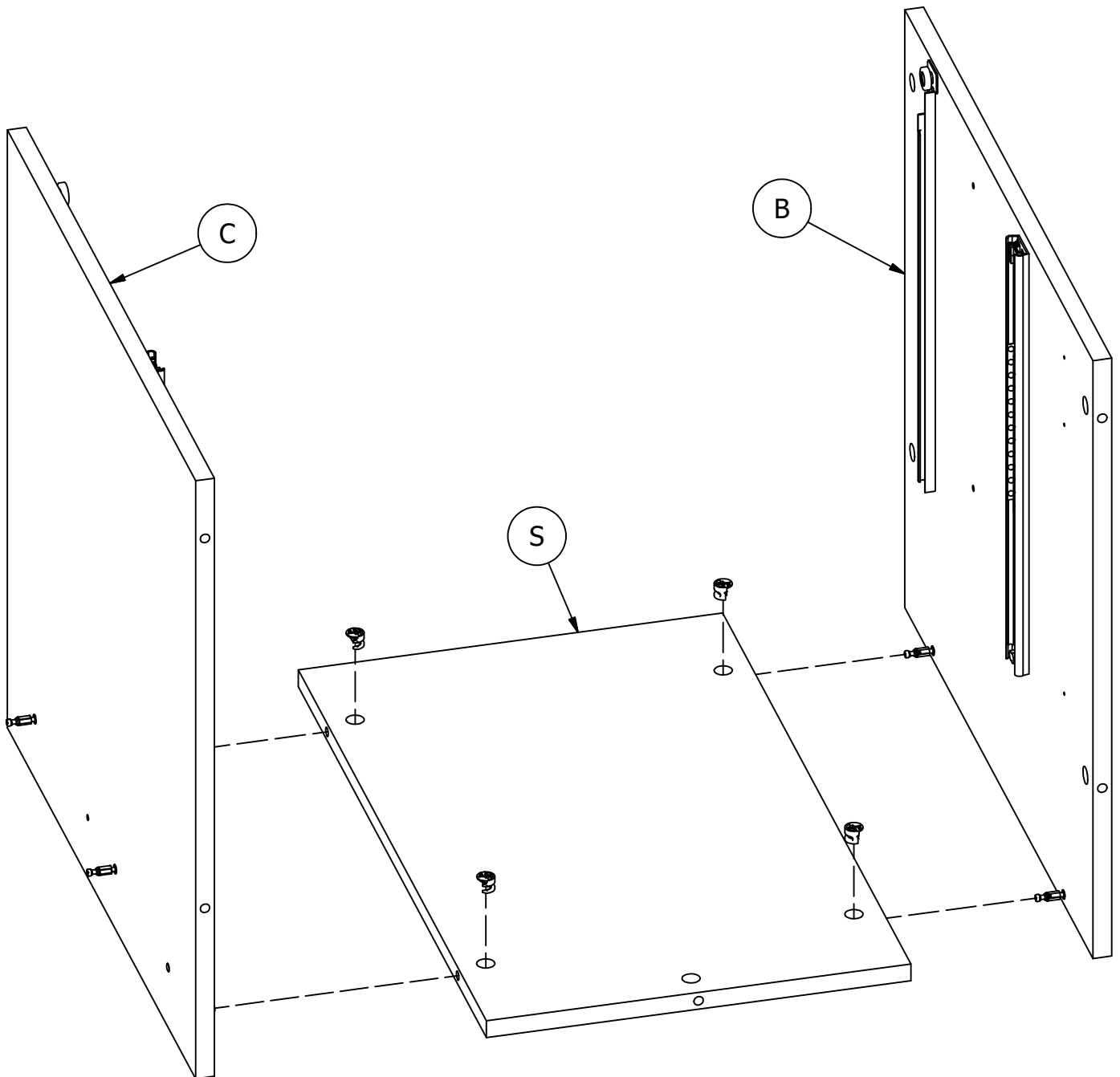
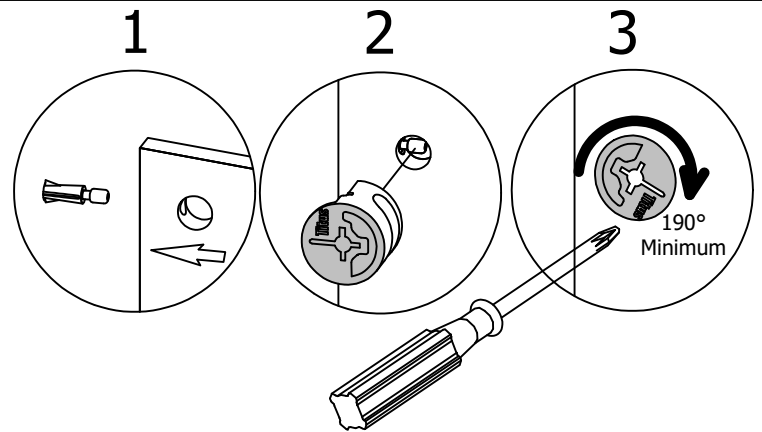
# Assemble Panels

A189223F

H181468US

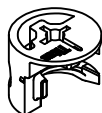


[ 4 ]



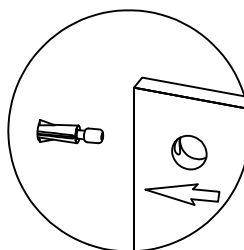
Have an assembly question or need a replacement part? Just call **1-800-950-4782**, we are here to help.

H181468US

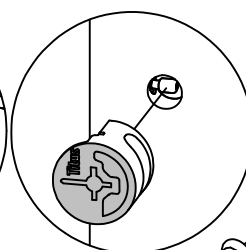


[ 5 ]

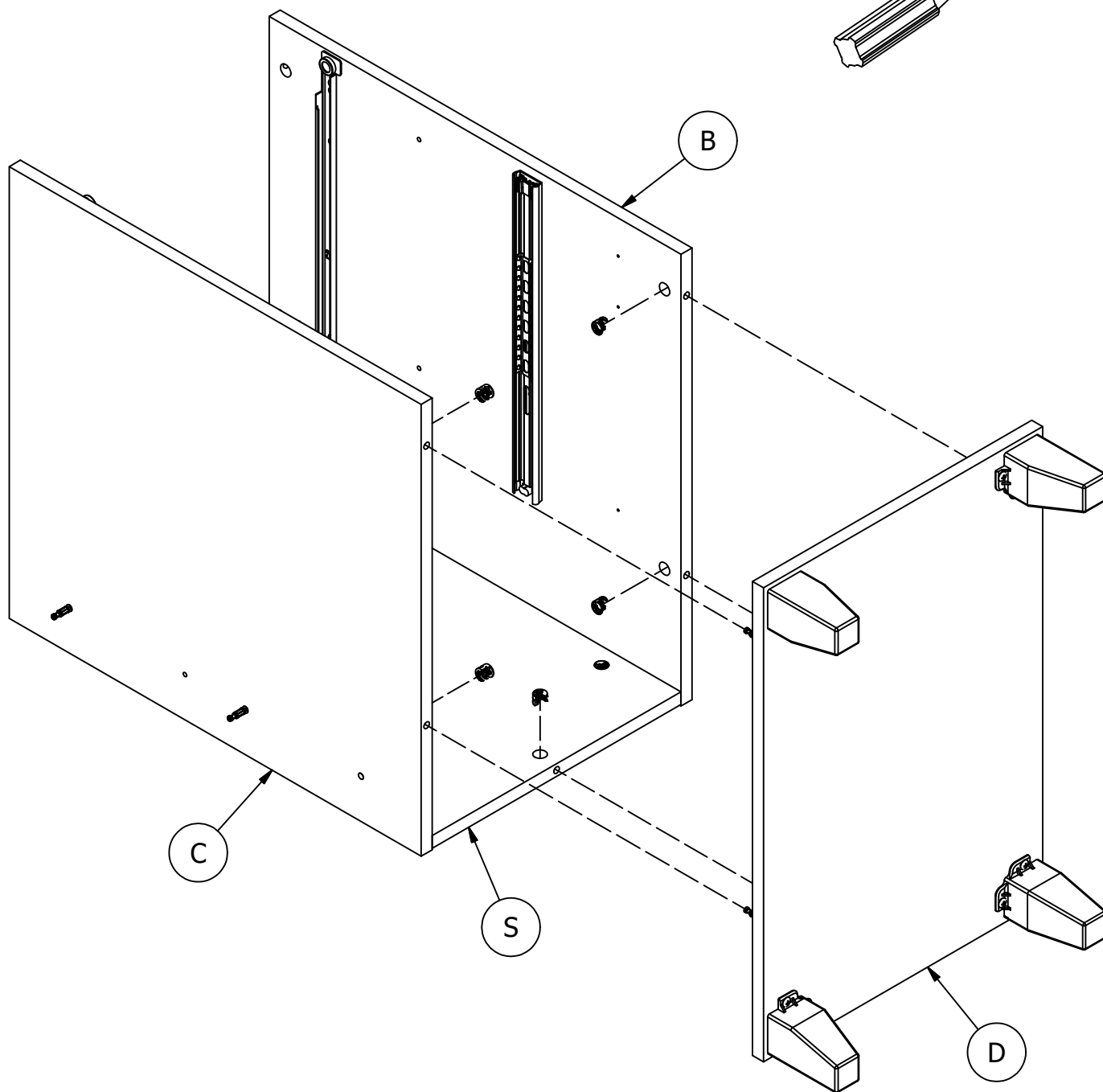
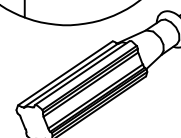
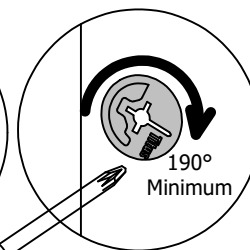
1



2



3



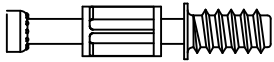
Have an assembly question or need a replacement part? Just call  
**1-800-950-4782**, we are here to help.

# STEP 31

# Attach Hardware

A189223F

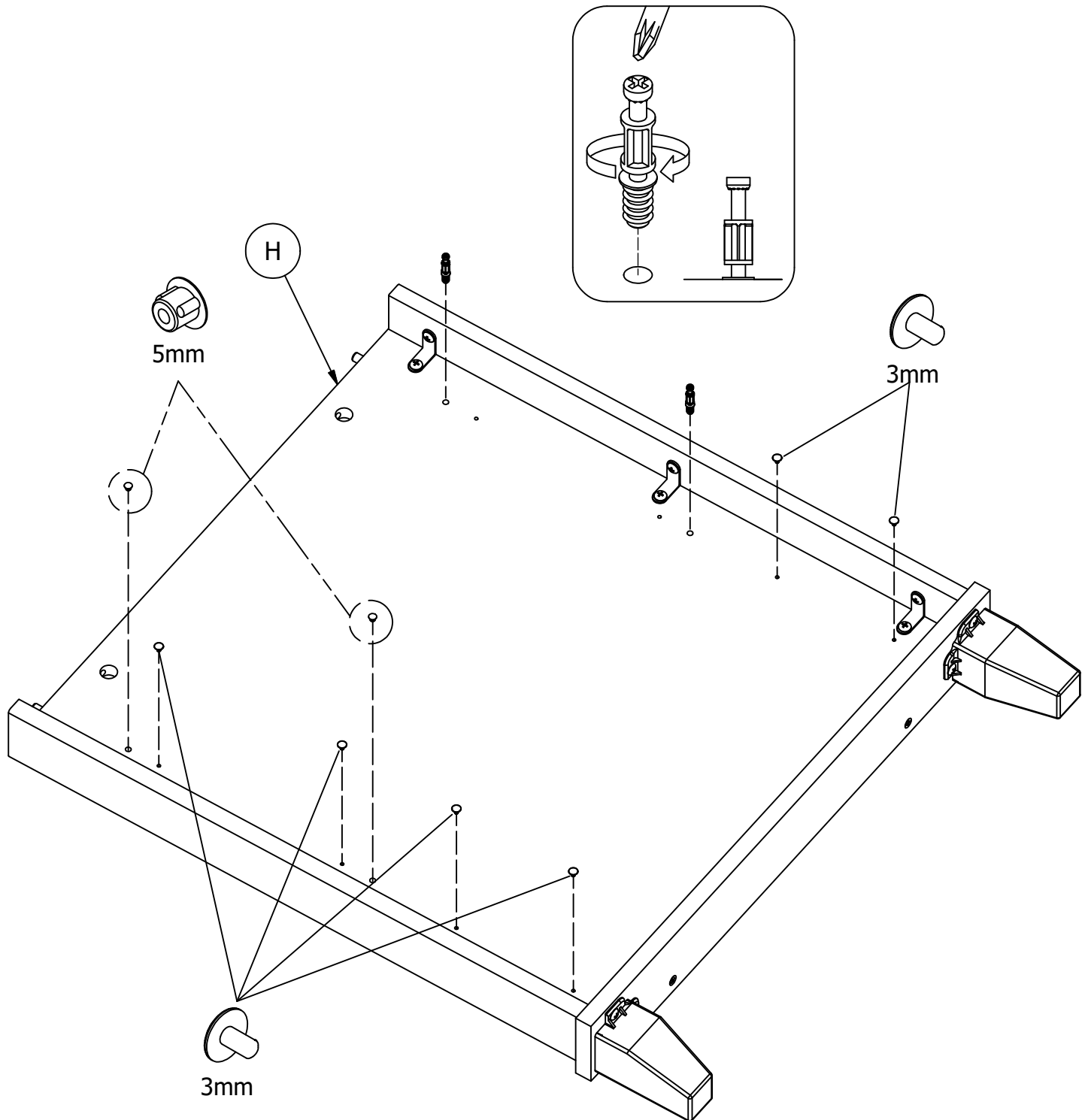
H72988 [ 2 ]



[ 6 ]  
3mm



[ 2 ]  
5mm

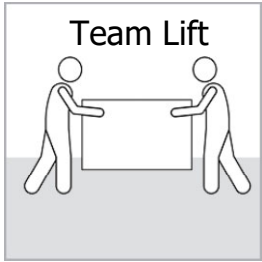


Have an assembly question or need a replacement part? Just call  
**1-800-950-4782**, we are here to help.

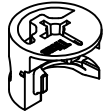
# STEP 32

# Assemble Panels

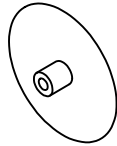
A189223F



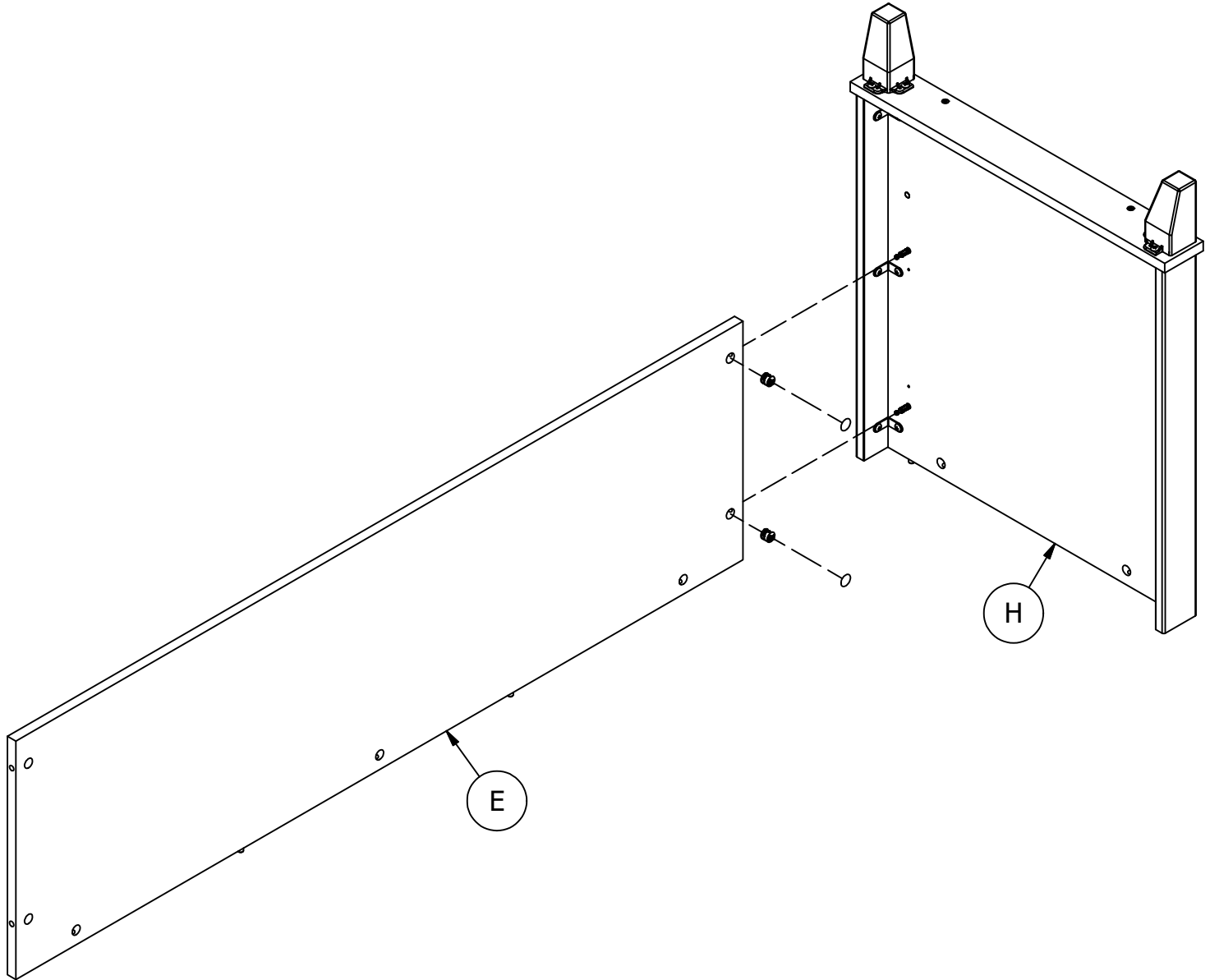
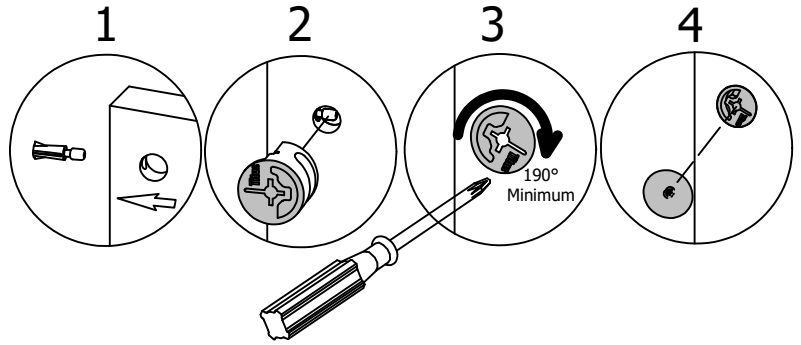
H181468US



[ 2 ]



[ 2 ]

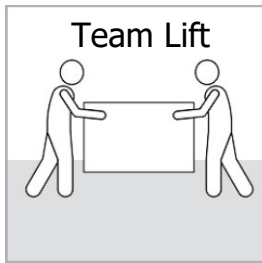


Have an assembly question or need a replacement part? Just call **1-800-950-4782**, we are here to help.

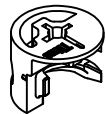
# STEP 33

## Assemble Panels

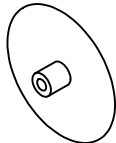
A189223F



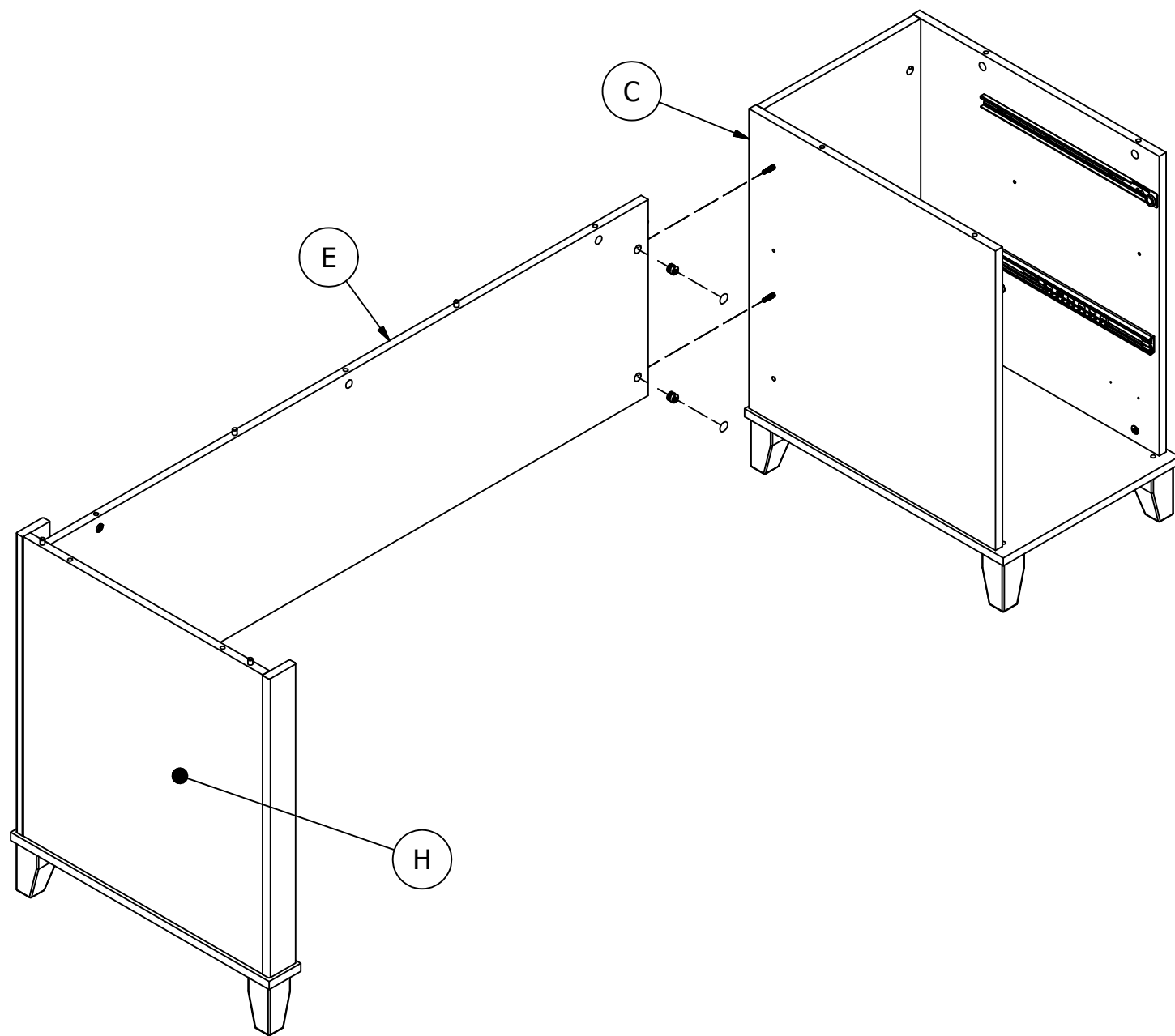
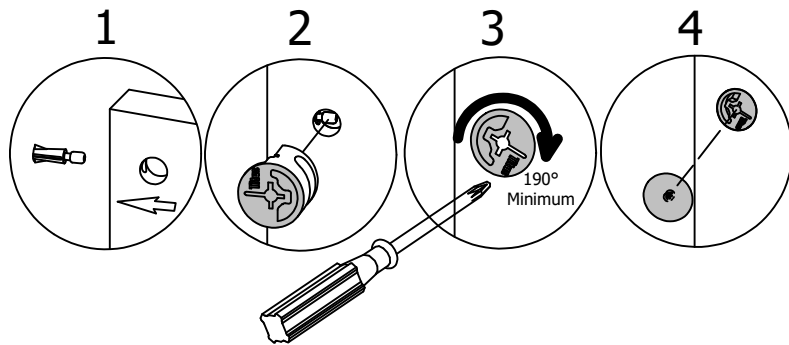
H181468US



[ 2 ]

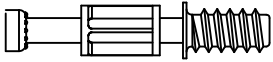


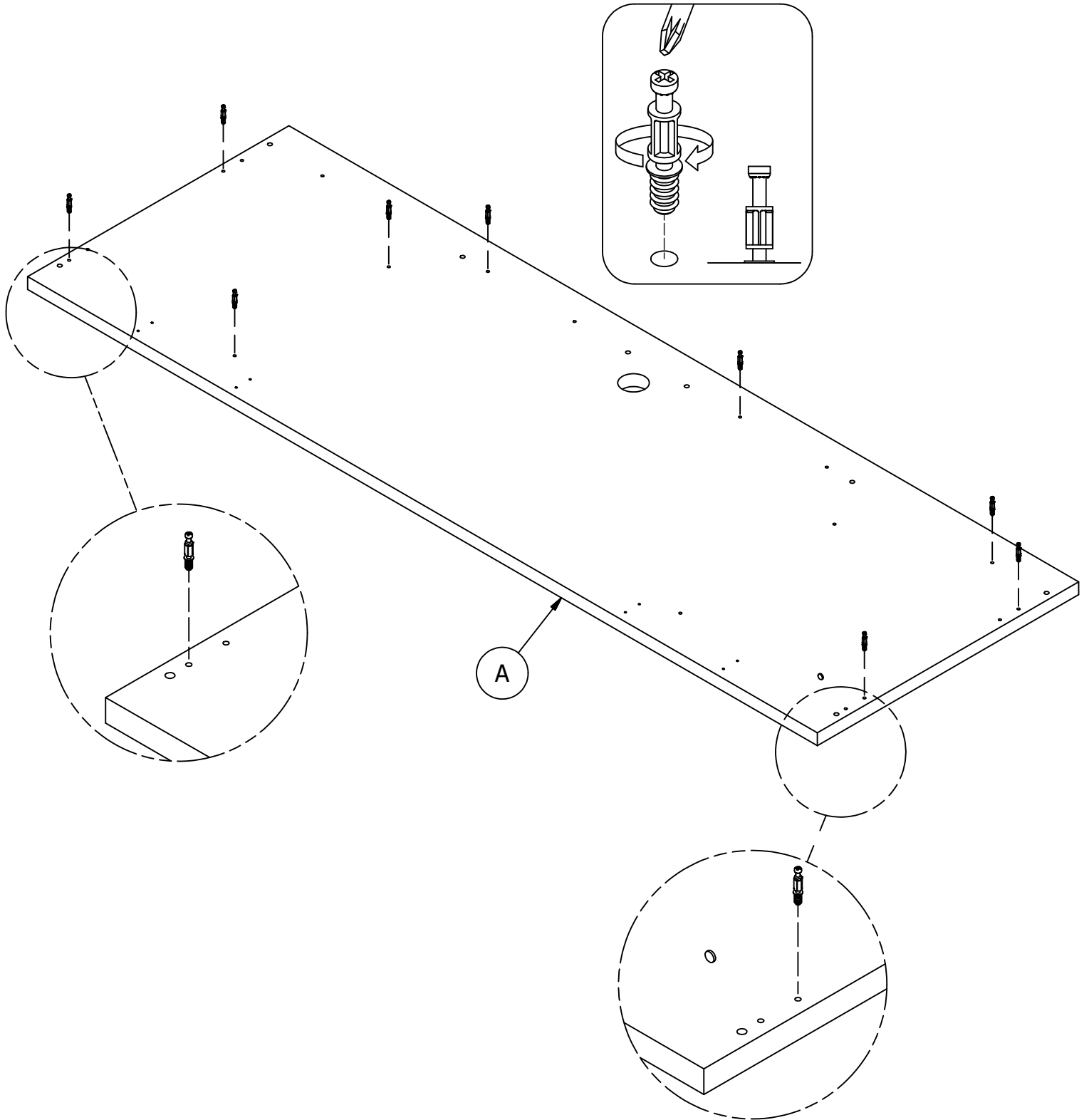
[ 2 ]



Have an assembly question or need a replacement part? Just call  
**1-800-950-4782**, we are here to help.



H72988  [ 9 ]

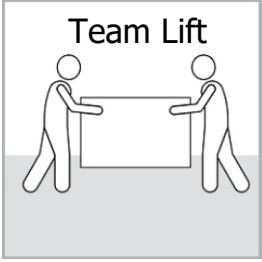


Have an assembly question or need a replacement part? Just call **1-800-950-4782**, we are here to help.

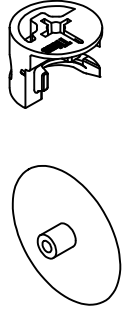
# STEP 35

# Assemble Panels

A189223F

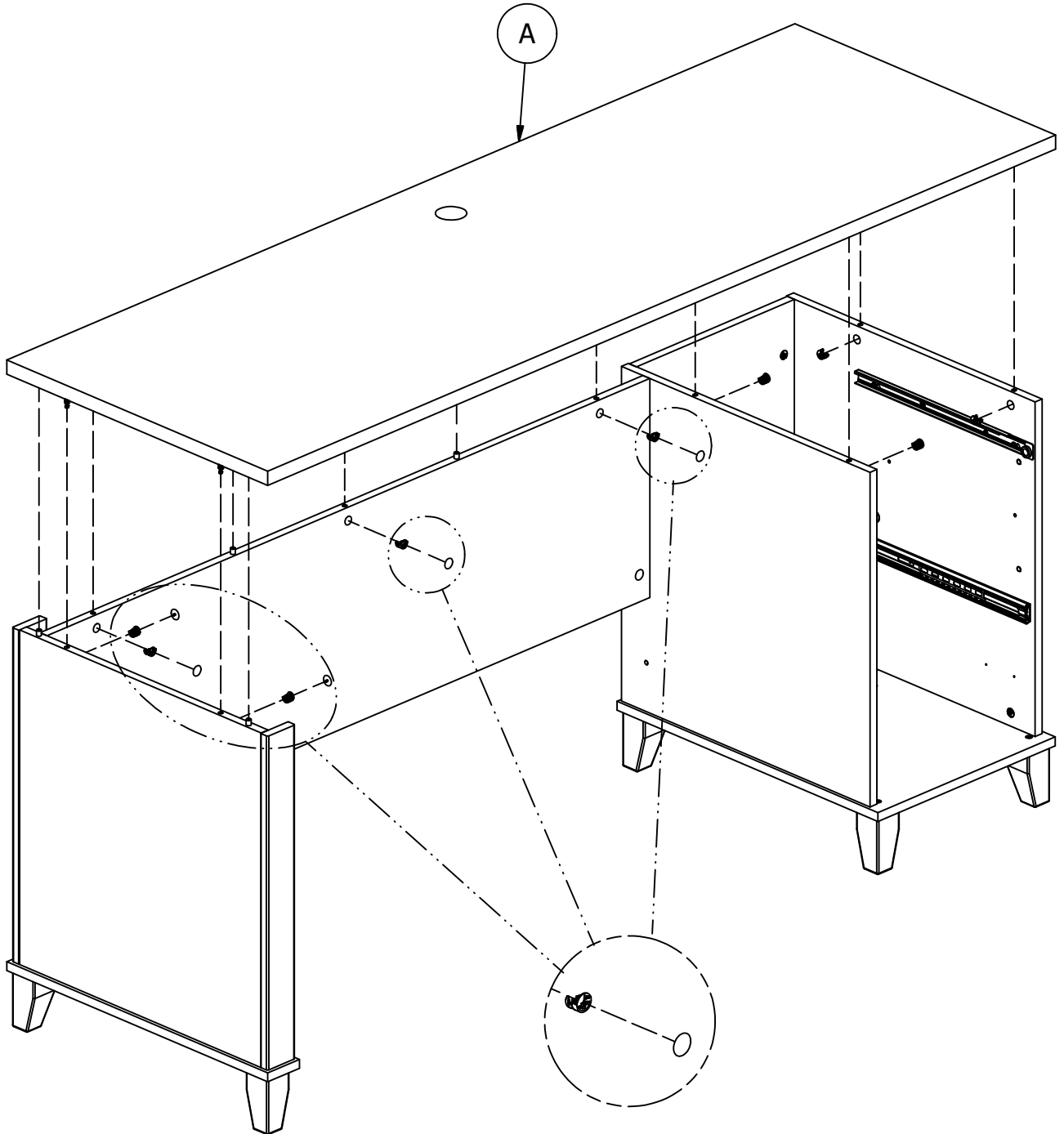
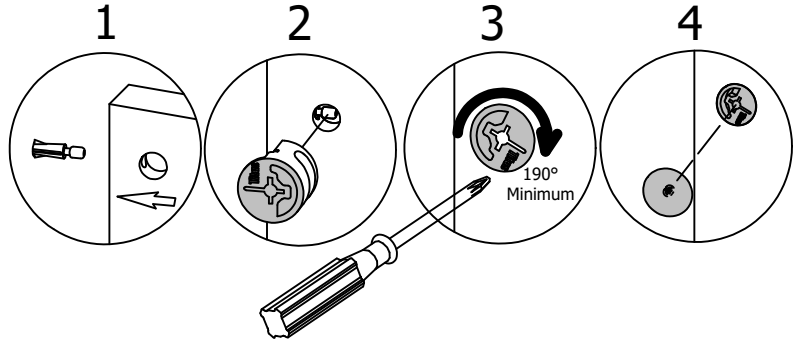


H181468US

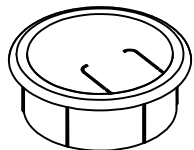


[ 9 ]

[ 5 ]

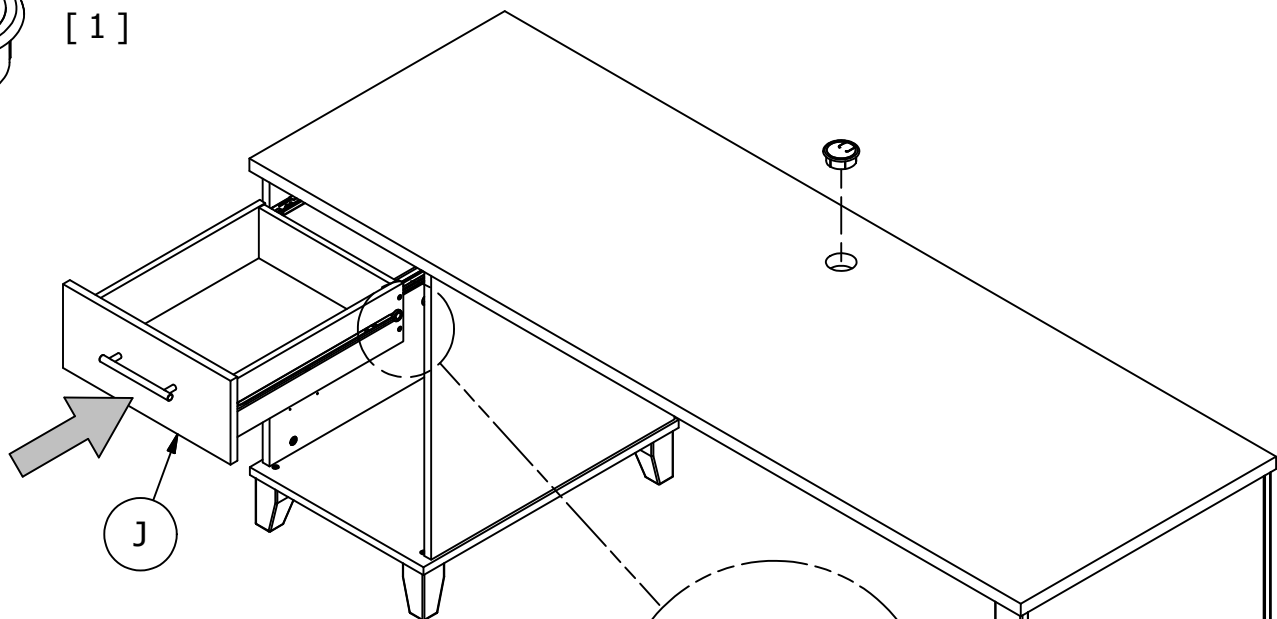


Have an assembly question or need a replacement part? Just call  
**1-800-950-4782**, we are here to help.

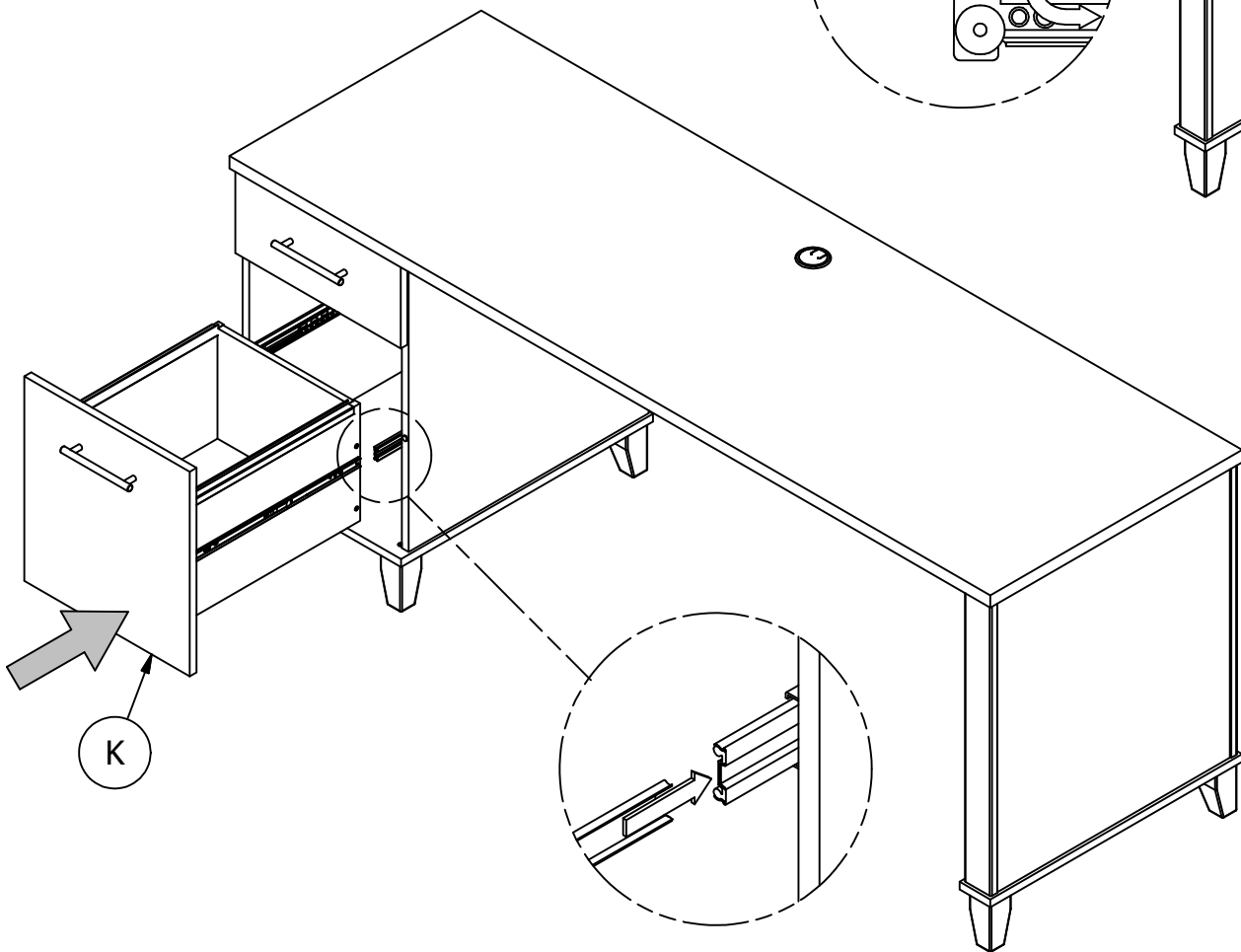
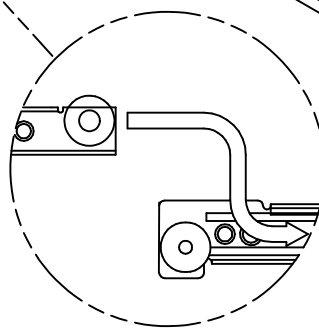


Grommet

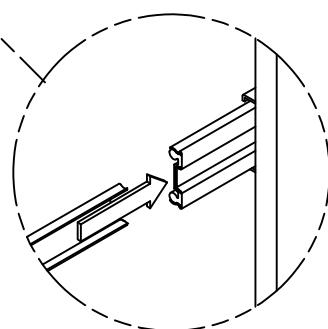
[ 1 ]



J

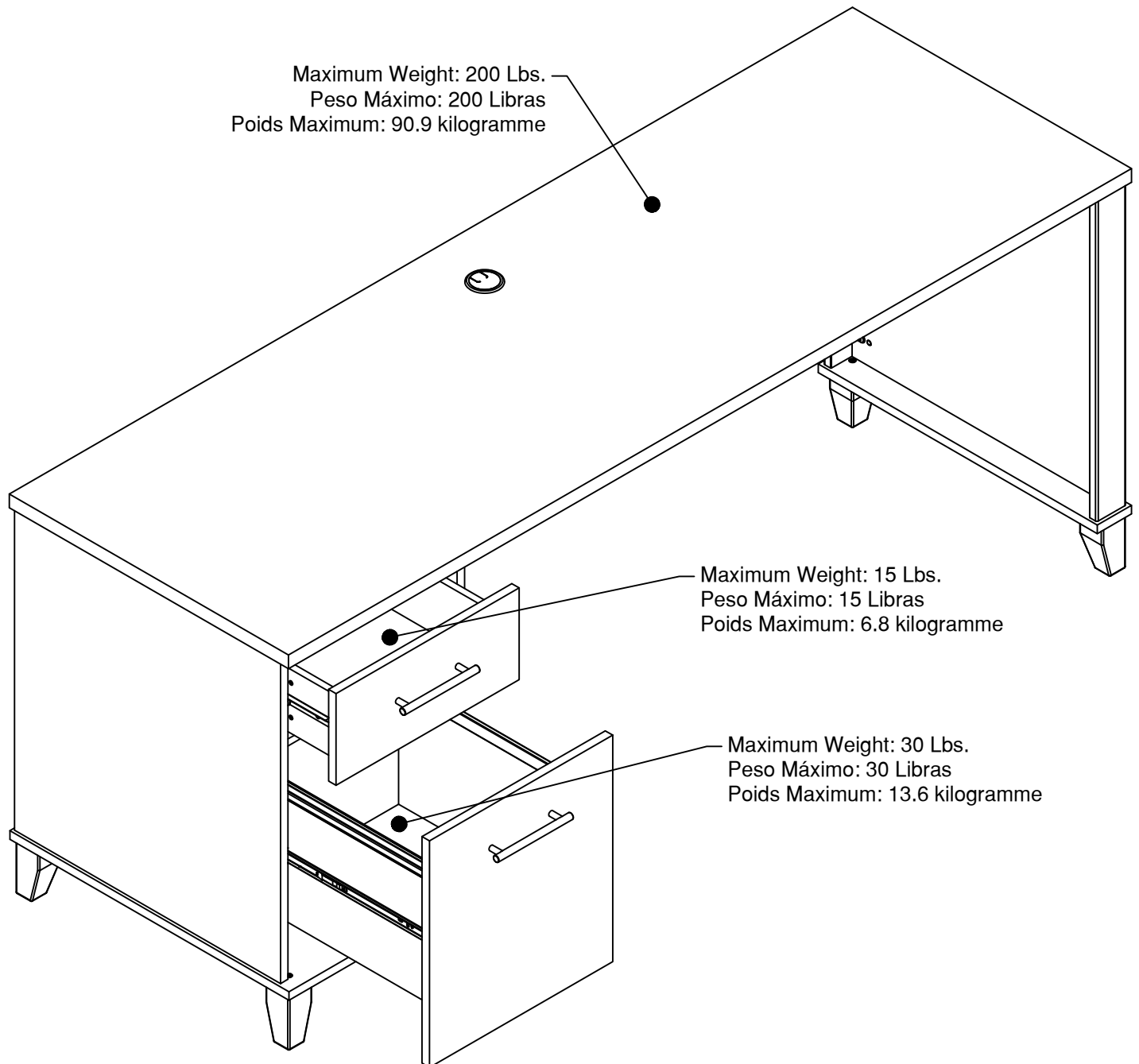


K



Have an assembly question or need a replacement part? Just call **1-800-950-4782**, we are here to help.

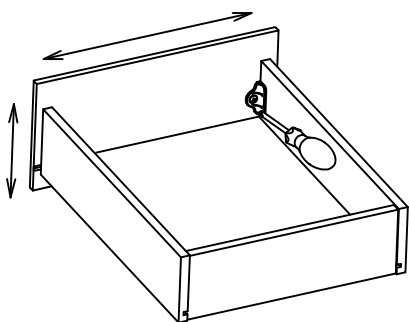
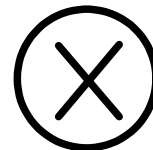
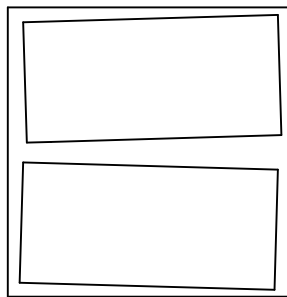
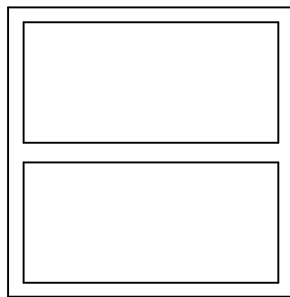
Gently clean surfaces with  
a damp sponge eraser.



Congratulations! You are all done. If  
you have any questions or concerns,  
please call.

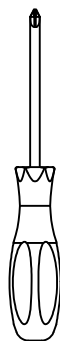
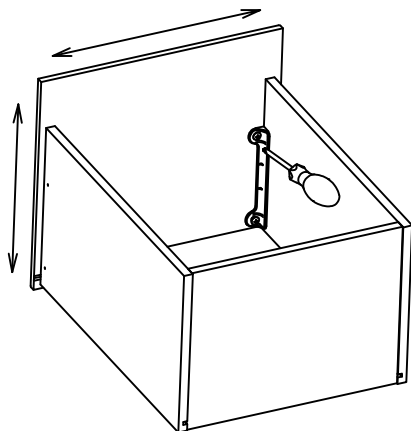
Have an assembly question or need a replacement part? Just call  
**1-800-950-4782**, we are here to help.

## DRAWER FRONT VIEW



REQUIRED TOOL: PHILLIPS SCREWDRIVER

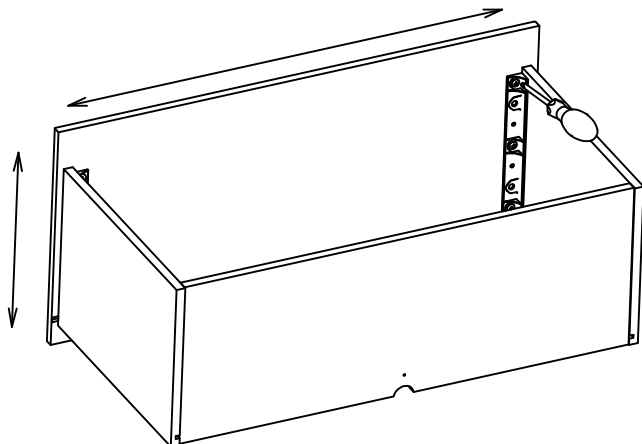
HERRAMIENTA REQUERIDA: DESTORNILLADOR PHILLIPS  
 OUTIL REQUIS: TOURNEVIS CRUCIFORME



1. LOOSEN SCREWS.
2. ADJUST DRAWER FRONTS.
3. TIGHTEN SCREWS.

1. Afloje los tornillos
2. Ajustar frentes de cajón
3. Apriete los tornillos

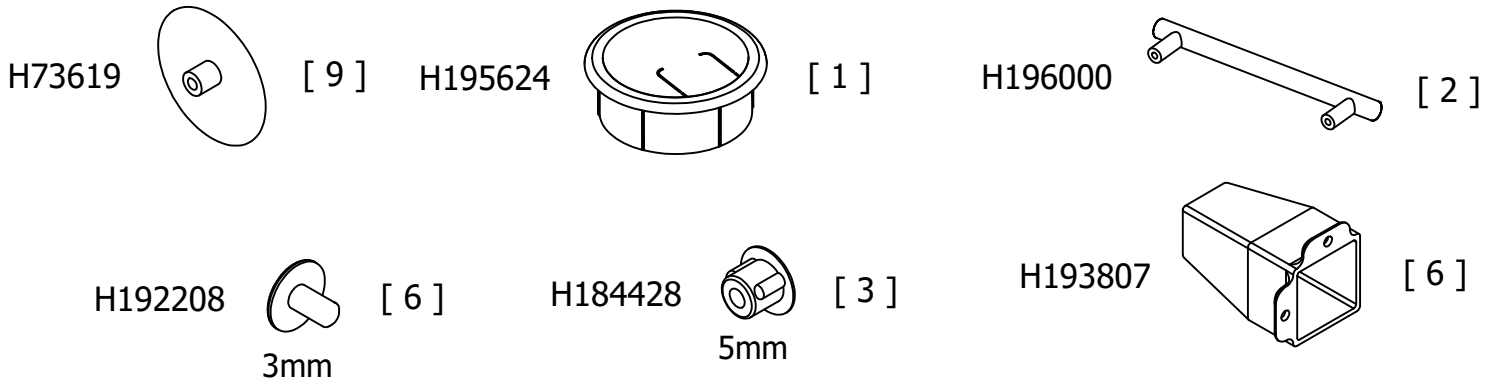
1. Desserrer les vis
2. Ajuster les façades des tiroirs
3. Serrer les vis



Have an assembly question or need a replacement part? Just call  
**1-800-950-4782**, we are here to help.

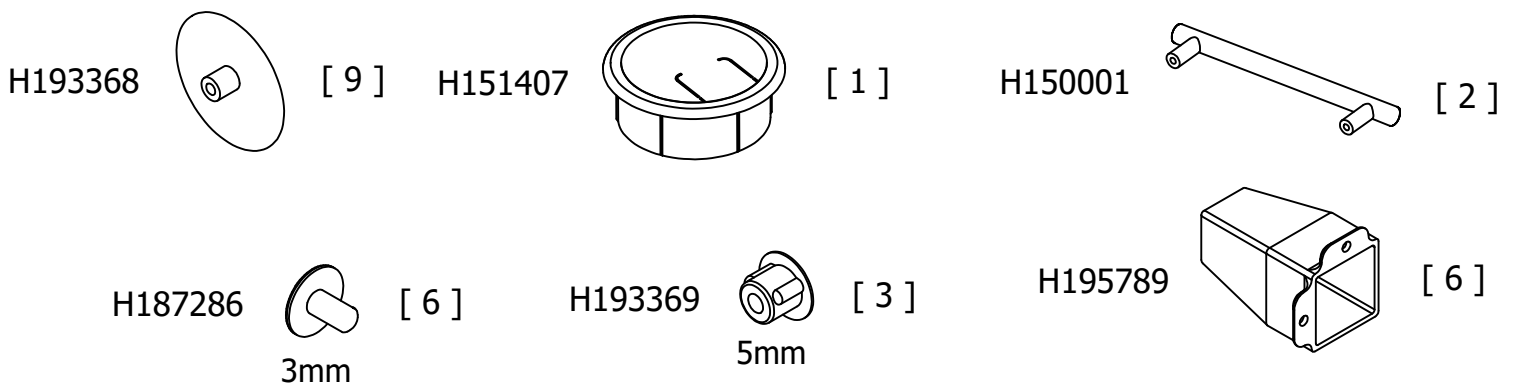
## WC81072

A	W200556	[ 1 ]	J	W218511	[ 1 ]
B	W218970	[ 1 ]	K	W218512	[ 1 ]
C	W218971	[ 1 ]	S	W193878	[ 1 ]
D	W196080	[ 1 ]	T	W87410	[ 2 ]
E	W196119	[ 1 ]	U	W106489	[ 2 ]
F	W196105	[ 1 ]	V	W215261	[ 2 ]
G	W196120	[ 2 ]	W	W218468	[ 1 ]
H	W196121	[ 1 ]	X	W192433	[ 1 ]



## WC81172

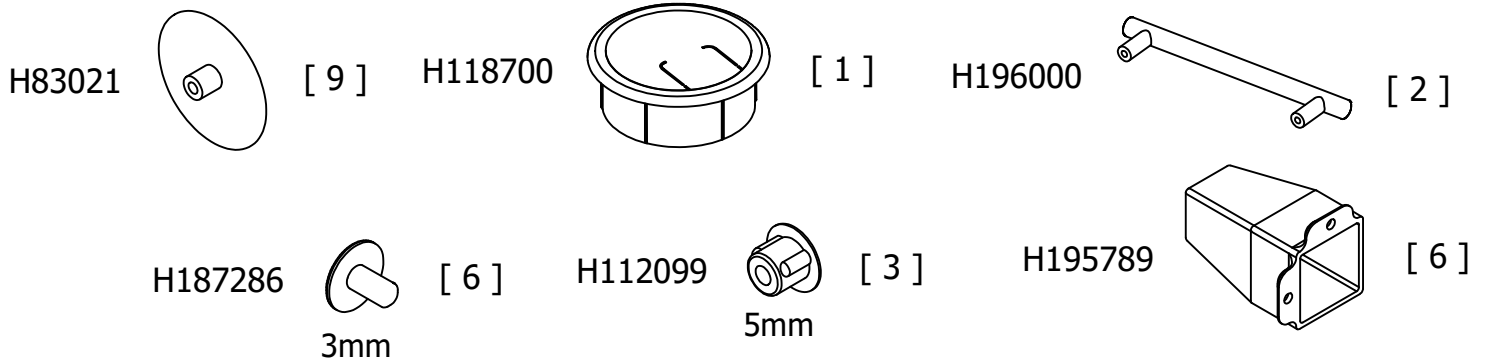
A	W200530	[ 1 ]	J	W218513	[ 1 ]
B	W218972	[ 1 ]	K	W218514	[ 1 ]
C	W218973	[ 1 ]	S	W200494	[ 1 ]
D	W200492	[ 1 ]	T	W87410	[ 2 ]
E	W200531	[ 1 ]	U	W106489	[ 2 ]
F	W200517	[ 1 ]	V	W215261	[ 2 ]
G	W200532	[ 2 ]	W	W218468	[ 1 ]
H	W200533	[ 1 ]	X	W192433	[ 1 ]



Have an assembly question or need a replacement part? Just call  
**1-800-950-4782**, we are here to help.

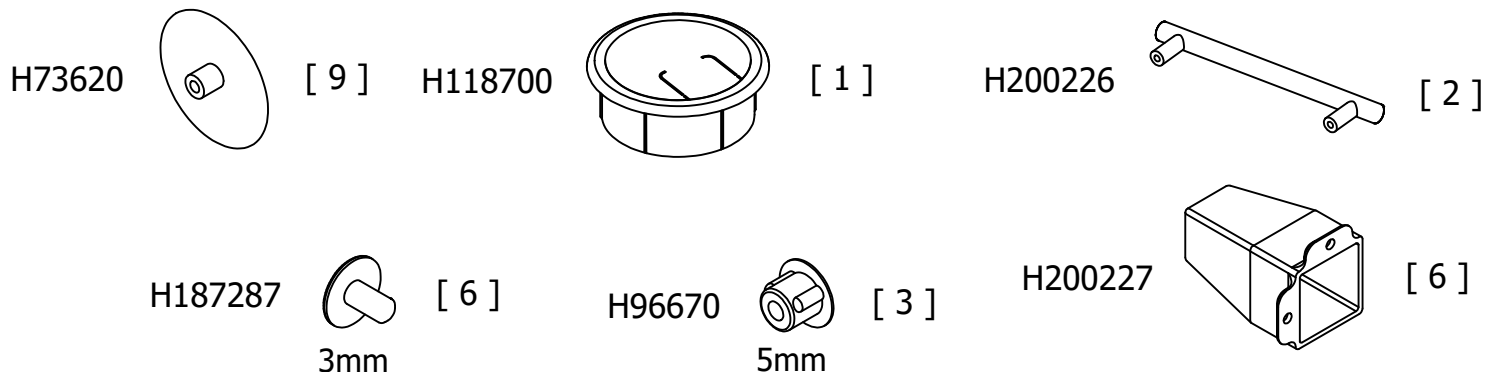
## WC81272

A	W195911	[ 1 ]	J	W218515	[ 1 ]
B	W218974	[ 1 ]	K	W218516	[ 1 ]
C	W218975	[ 1 ]	S	W195875	[ 1 ]
D	W195873	[ 1 ]	T	W87410	[ 2 ]
E	W195912	[ 1 ]	U	W106489	[ 2 ]
F	W195898	[ 1 ]	V	W215261	[ 2 ]
G	W195913	[ 2 ]	W	W218468	[ 1 ]
H	W195914	[ 1 ]	X	W192433	[ 1 ]



## WC81372

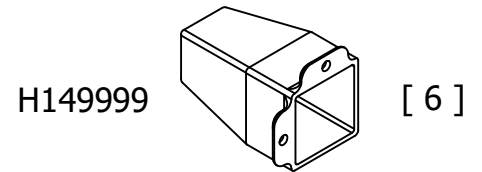
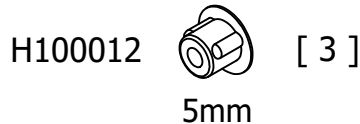
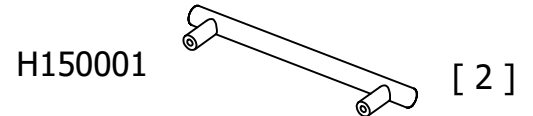
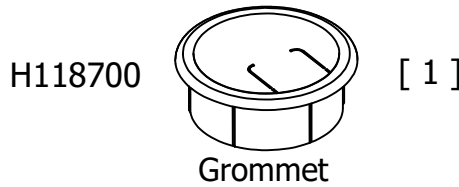
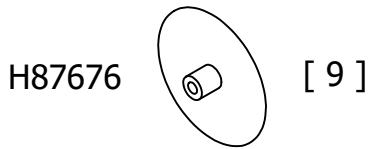
A	W200436	[ 1 ]	J	W218517	[ 1 ]
B	W218976	[ 1 ]	K	W218518	[ 1 ]
C	W218977	[ 1 ]	S	W200400	[ 1 ]
D	W200398	[ 1 ]	T	W87410	[ 2 ]
E	W200437	[ 1 ]	U	W106489	[ 2 ]
F	W200423	[ 1 ]	V	W215261	[ 2 ]
G	W200438	[ 2 ]	W	W218468	[ 1 ]
H	W200439	[ 1 ]	X	W192433	[ 1 ]



Have an assembly question or need a replacement part? Just call  
**1-800-950-4782**, we are here to help.

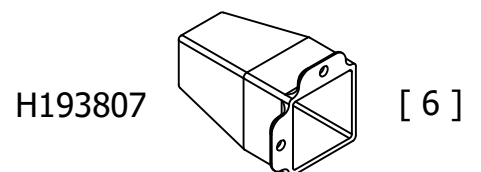
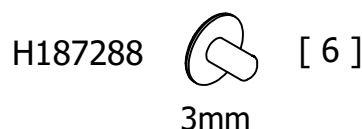
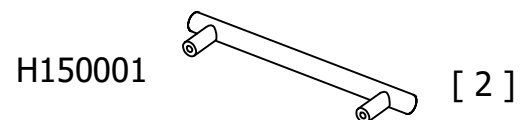
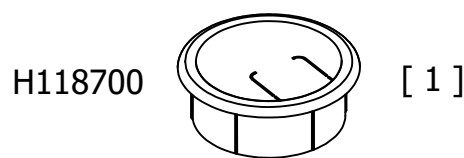
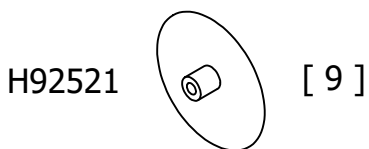
## WC81472

A	W189224	[ 1 ]	J	W218519	[ 1 ]
B	W218978	[ 1 ]	K	W218520	[ 1 ]
C	W218979	[ 1 ]	S	W187457	[ 1 ]
D	W187455	[ 1 ]	T	W87410	[ 2 ]
E	W189225	[ 1 ]	U	W106489	[ 2 ]
F	W189444	[ 1 ]	V	W215261	[ 2 ]
G	W189227	[ 2 ]	W	W218468	[ 1 ]
H	W189228	[ 1 ]	X	W192433	[ 1 ]



## WC81572

A	W193879	[ 1 ]	J	W218511	[ 1 ]
B	W218980	[ 1 ]	K	W218512	[ 1 ]
C	W218981	[ 1 ]	S	W193878	[ 1 ]
D	W193876	[ 1 ]	T	W87410	[ 2 ]
E	W193880	[ 1 ]	U	W106489	[ 2 ]
F	W193883	[ 1 ]	V	W215261	[ 2 ]
G	W193881	[ 2 ]	W	W218468	[ 1 ]
H	W193882	[ 1 ]	X	W192433	[ 1 ]

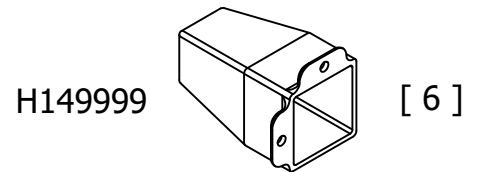
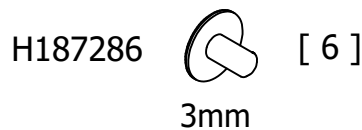
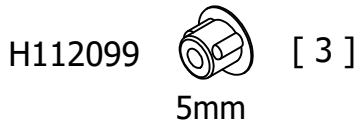
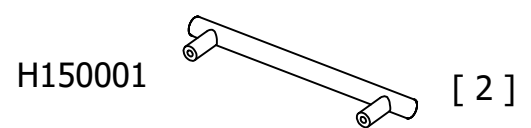
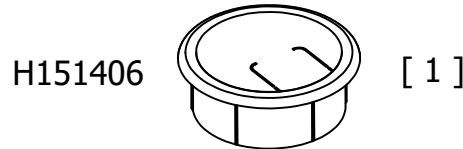
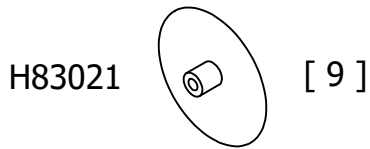


Have an assembly question or need a replacement part? Just call  
**1-800-950-4782**, we are here to help.



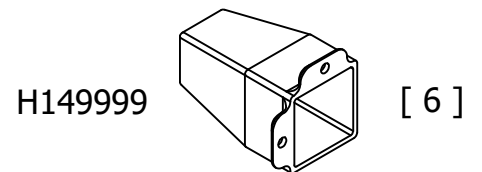
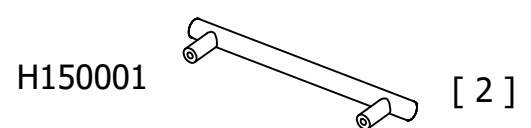
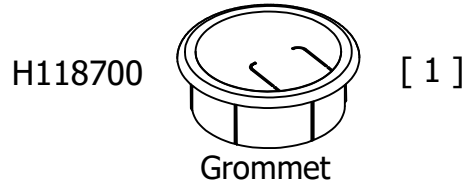
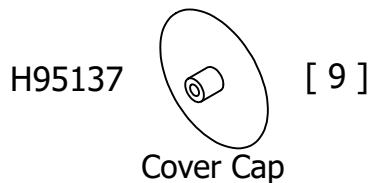
## WC81672

A	W189229	[ 1 ]	J	W218523	[ 1 ]
B	W218982	[ 1 ]	K	W218524	[ 1 ]
C	W218983	[ 1 ]	S	W187470	[ 1 ]
D	W186384	[ 1 ]	T	W87410	[ 2 ]
E	W189230	[ 1 ]	U	W106489	[ 2 ]
F	W189269	[ 1 ]	V	W215261	[ 2 ]
G	W189232	[ 2 ]	W	W218468	[ 1 ]
H	W189233	[ 1 ]	X	W192433	[ 1 ]



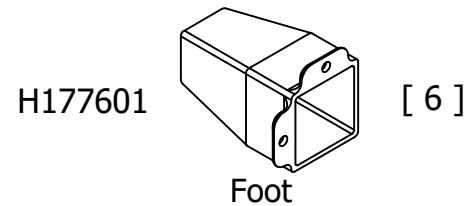
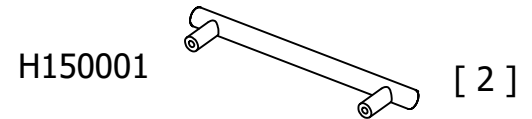
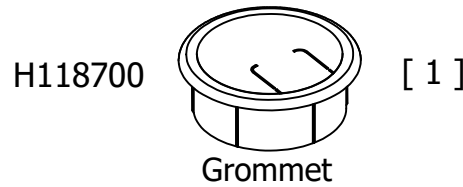
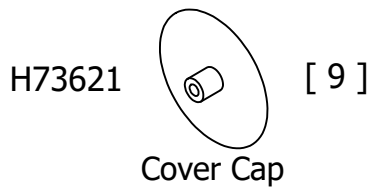
## WC81772

A	W189234	[ 1 ]	J	W218525	[ 1 ]
B	W218984	[ 1 ]	K	W218526	[ 1 ]
C	W218985	[ 1 ]	S	W187463	[ 1 ]
D	W187461	[ 1 ]	T	W87410	[ 2 ]
E	W189235	[ 1 ]	U	W106489	[ 2 ]
F	W189432	[ 1 ]	V	W215261	[ 2 ]
G	W189237	[ 2 ]	W	W218468	[ 1 ]
H	W189238	[ 1 ]	X	W192433	[ 1 ]



## WC81872

A	W189239	[ 1 ]	J	W218527	[ 1 ]
B	W218986	[ 1 ]	K	W218528	[ 1 ]
C	W218987	[ 1 ]	S	W187469	[ 1 ]
D	W187467	[ 1 ]	T	W87410	[ 2 ]
E	W189240	[ 1 ]	U	W106489	[ 2 ]
F	W189421	[ 1 ]	V	W215261	[ 2 ]
G	W189242	[ 2 ]	W	W218468	[ 1 ]
H	W189243	[ 1 ]	X	W192433	[ 1 ]



## WC81972

A	W196118	[ 1 ]	J	W218529	[ 1 ]
B	W218970	[ 1 ]	K	W218530	[ 1 ]
C	W218971	[ 1 ]	S	W196082	[ 1 ]
D	W196080	[ 1 ]	T	W87410	[ 2 ]
E	W196119	[ 1 ]	U	W106489	[ 2 ]
F	W196105	[ 1 ]	V	W215261	[ 2 ]
G	W196120	[ 2 ]	W	W218468	[ 1 ]
H	W196121	[ 1 ]	X	W192433	[ 1 ]

