

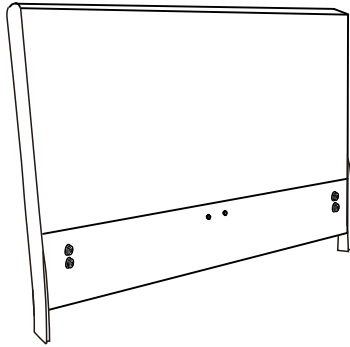
JULIETTE PLATFORM BED FULL/QUEEN ASSEMBLY INSTRUCTIONS



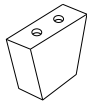
PARTS AND PACKAGING DETAIL

BOX #1

- A. HEADBOARD 1 PC
- B. HEADBOARD LEG 2 PCS



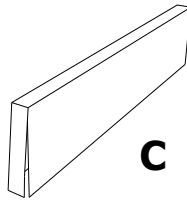
A



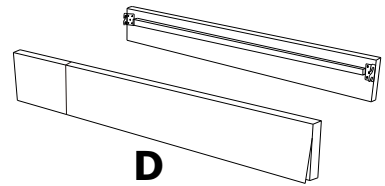
B

BOX #2

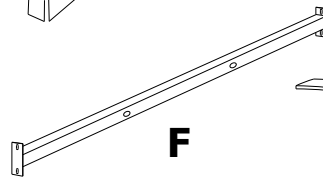
- C. FOOTBOARD 1 PC
- D. SIDE RAIL 2 PCS
- E. FOOTBOARD LEG 2 PCS
- F. CENTER SLAT SUPPORT 1 PC
- G. CENTER SUPPORT LEG 2 PCS
- H. SLAT 26 PCS
- I. SIDE RAIL SLAT CLIP 26 PCS
- J. CENTER SUPPORT SLAT CLIP 13 PCS



C



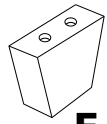
D



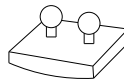
F



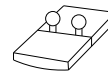
H



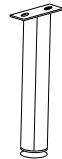
E



I

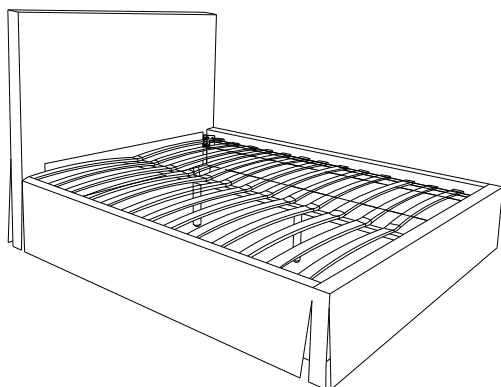


J



G

JULIETTE BED ASSEMBLED



HARDWARE PACKED IN BOX #1

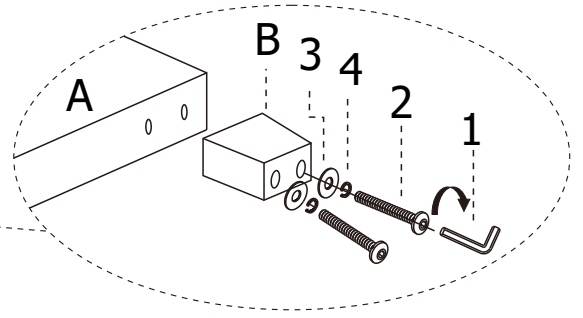
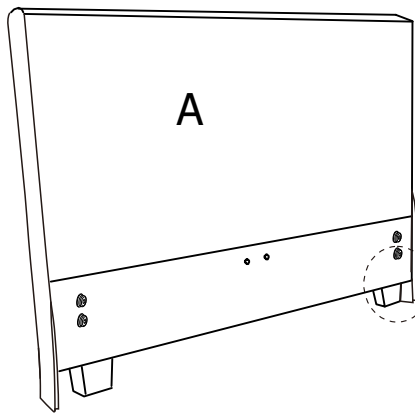
1	ALLEN KEY 5/16"	2	ALLEN BOLT 5/16x3-1/4"	3	FLAT WASHER 5/16"	4	LOCK WASHER 5/16"
1PC		4PCS		4PCS		4PCS	

HARDWARE PACKED IN BOX #2

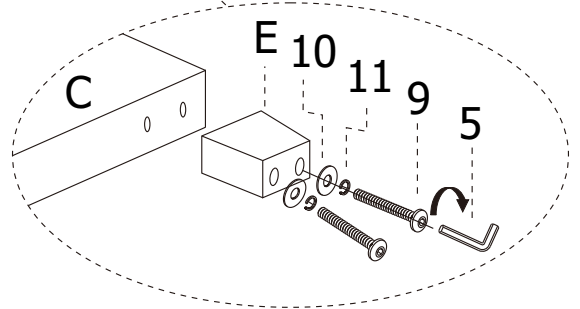
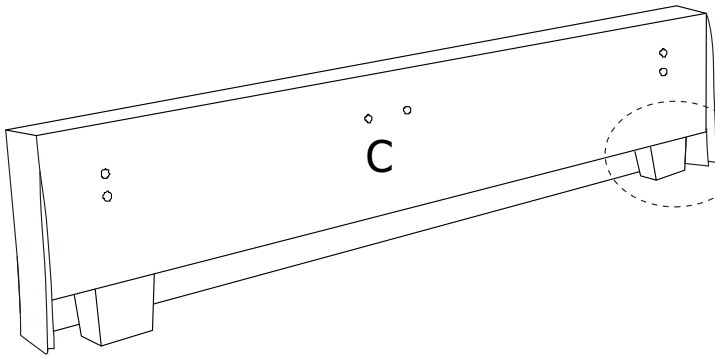
5	ALLEN KEY 5/16"	6	SPANNER 5/16"	7	ALLEN BOLT 5/16x1"	8	ALLEN BOLT 5/16x2-1/2"
1PC		1PC		4PCS		4PCS	
9	ALLEN BOLT 5/16x3-1/4"	10	FLAT WASHER 5/16"	11	LOCK WASHER 5/16"	12	HEX NUT 5/16"
4PCS		16PCS		12PCS		4PCS	



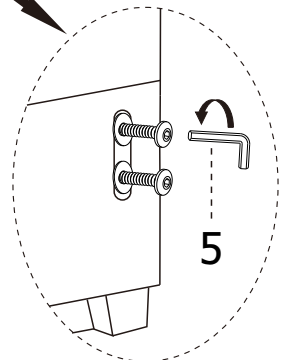
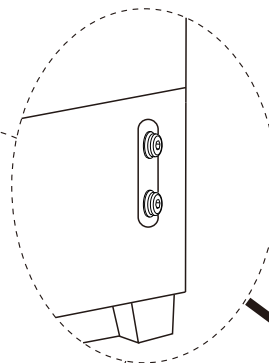
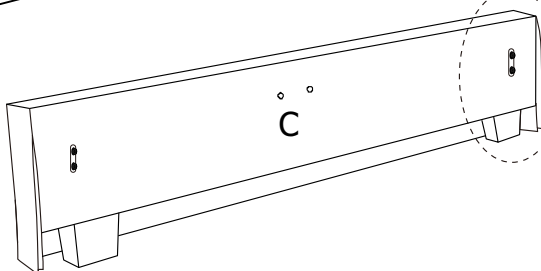
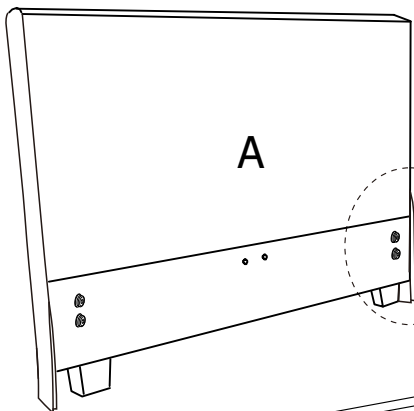
STEP 1 :



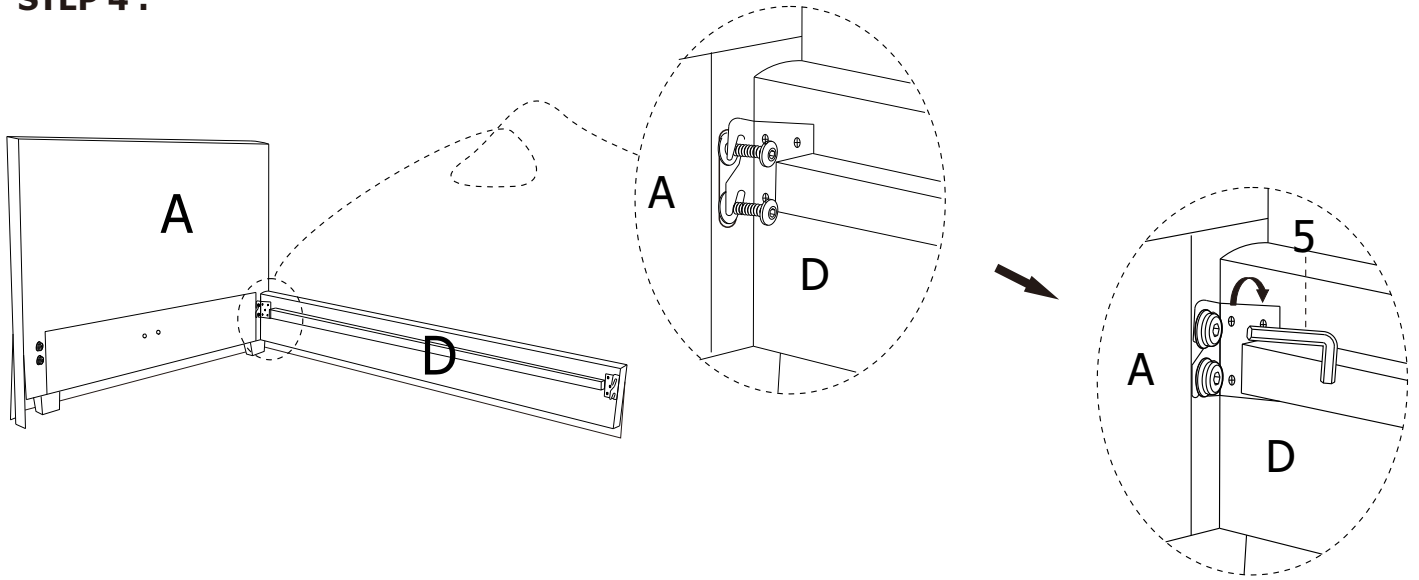
STEP 2 :



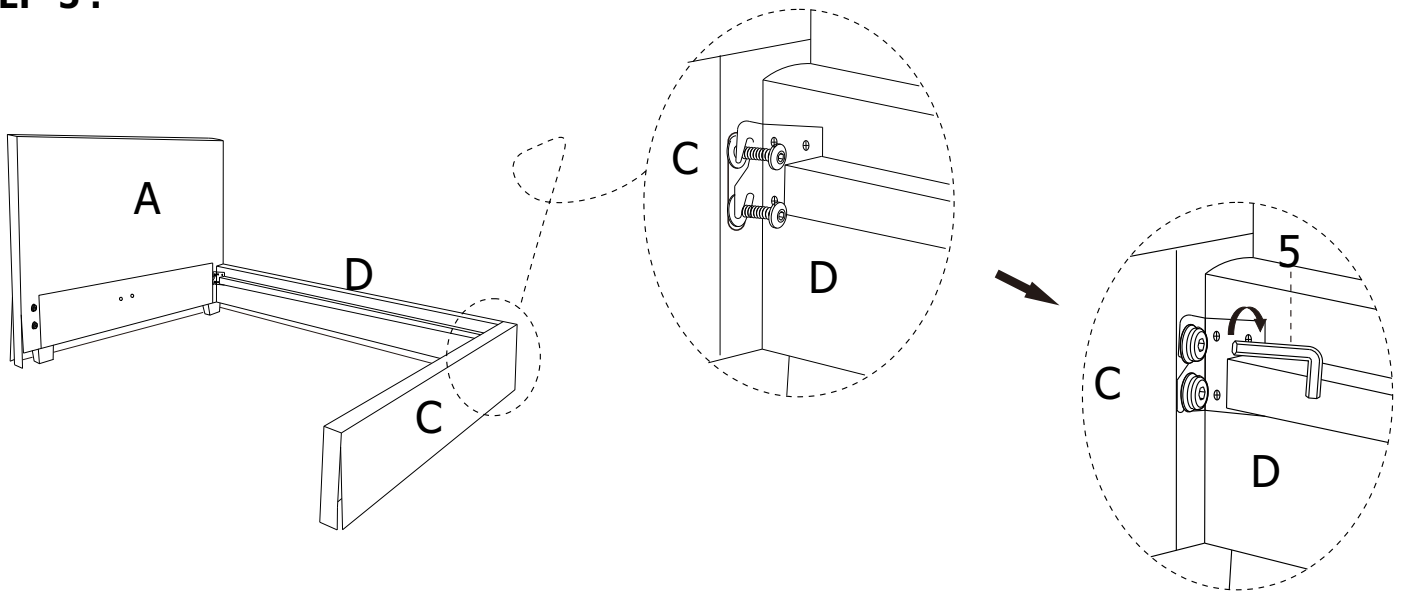
STEP 3 :



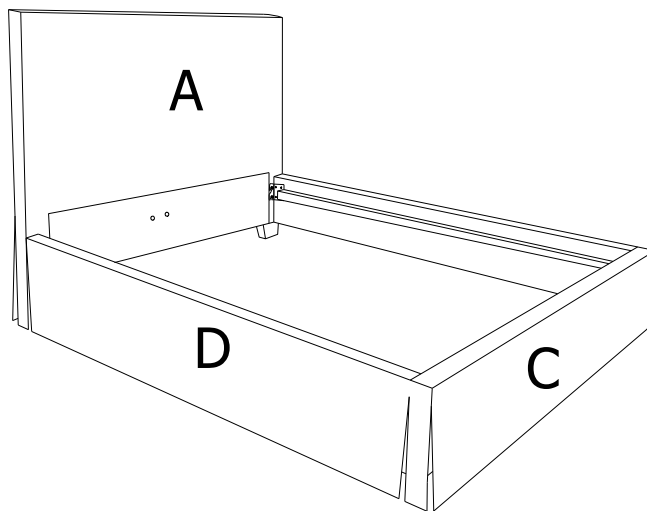
STEP 4 :



STEP 5 :



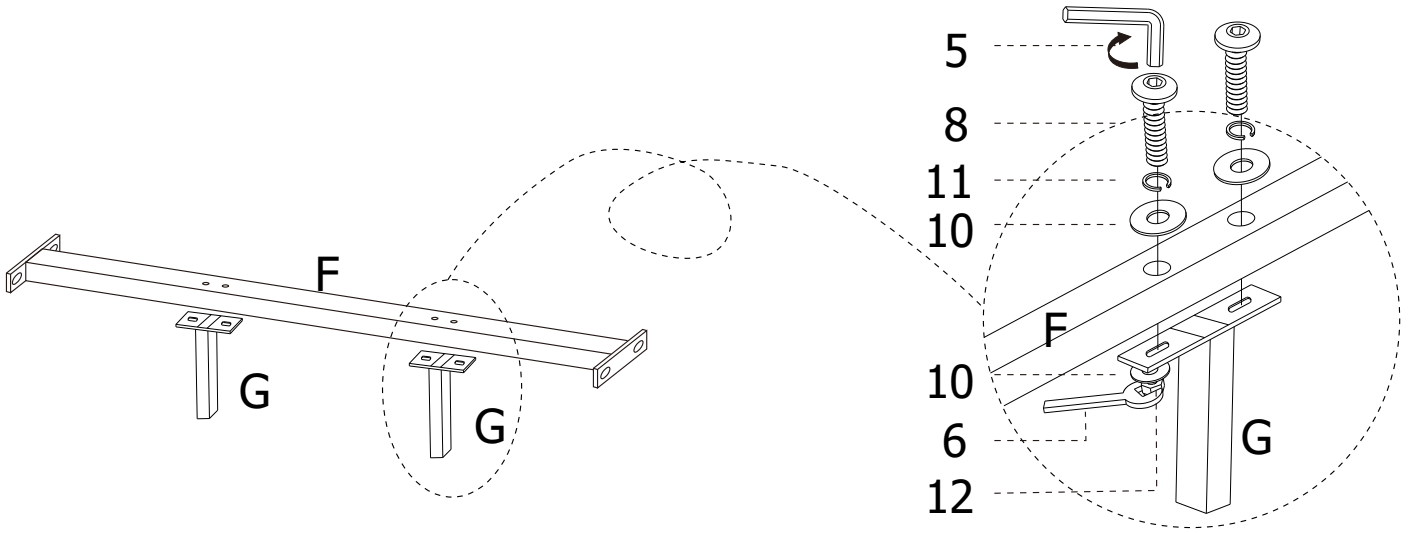
STEP 6 :



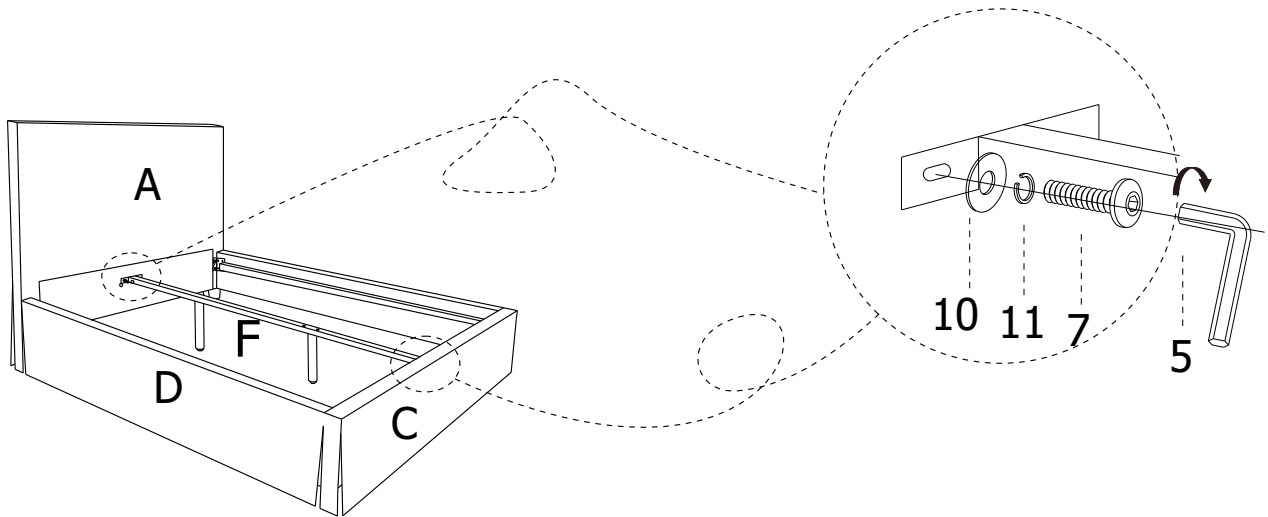
STOP

- IF USING BED WITH AN ADJUSTABLE MATTRESS BASE, SKIP STEPS 7,8,9,& 10 AND REFERENCE APPENDIX A: ADJUSTABLE MATTRESS BASE ASSEMBLY SUPPLEMENT.
- IF USING BED FRAME WITH STANDARD BOX SPRING OR FOUNDATION, CONTINUE TO STEP 7.

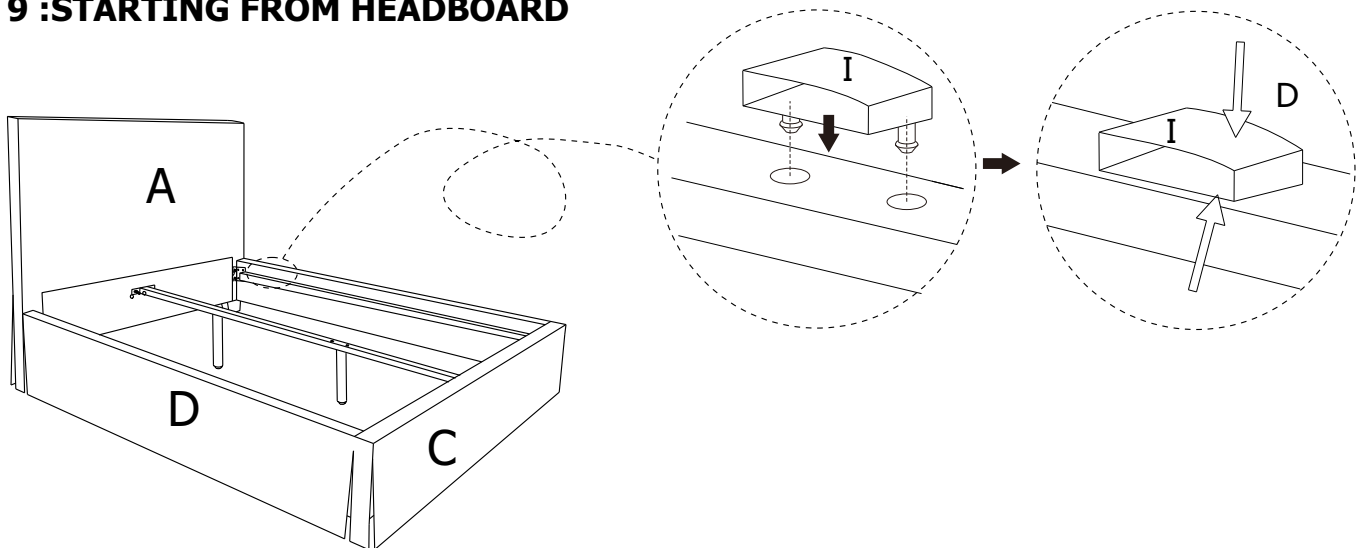
STEP 7 :



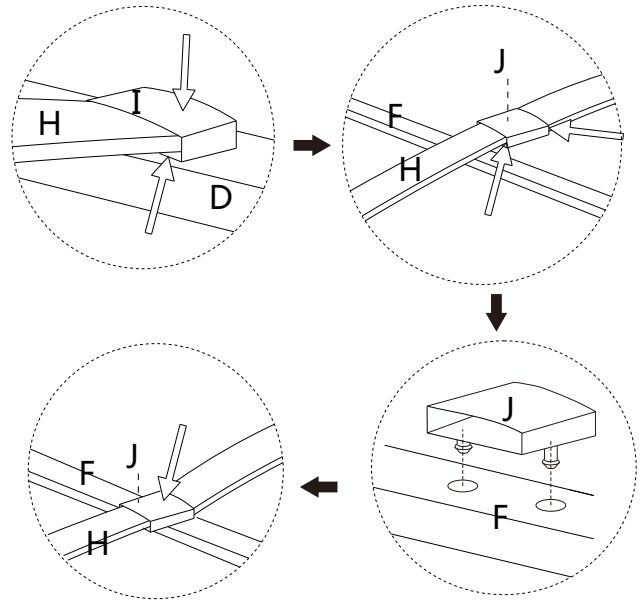
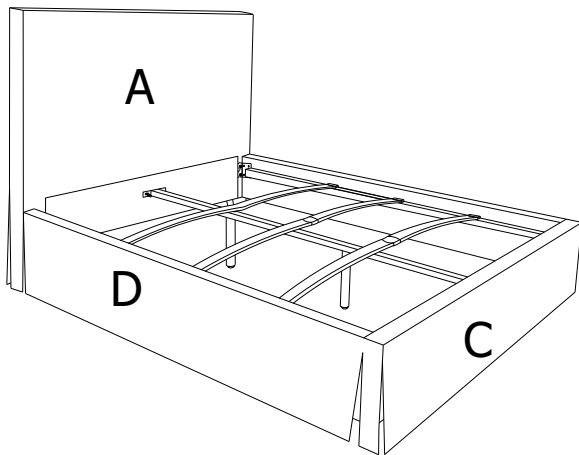
STEP 8 :



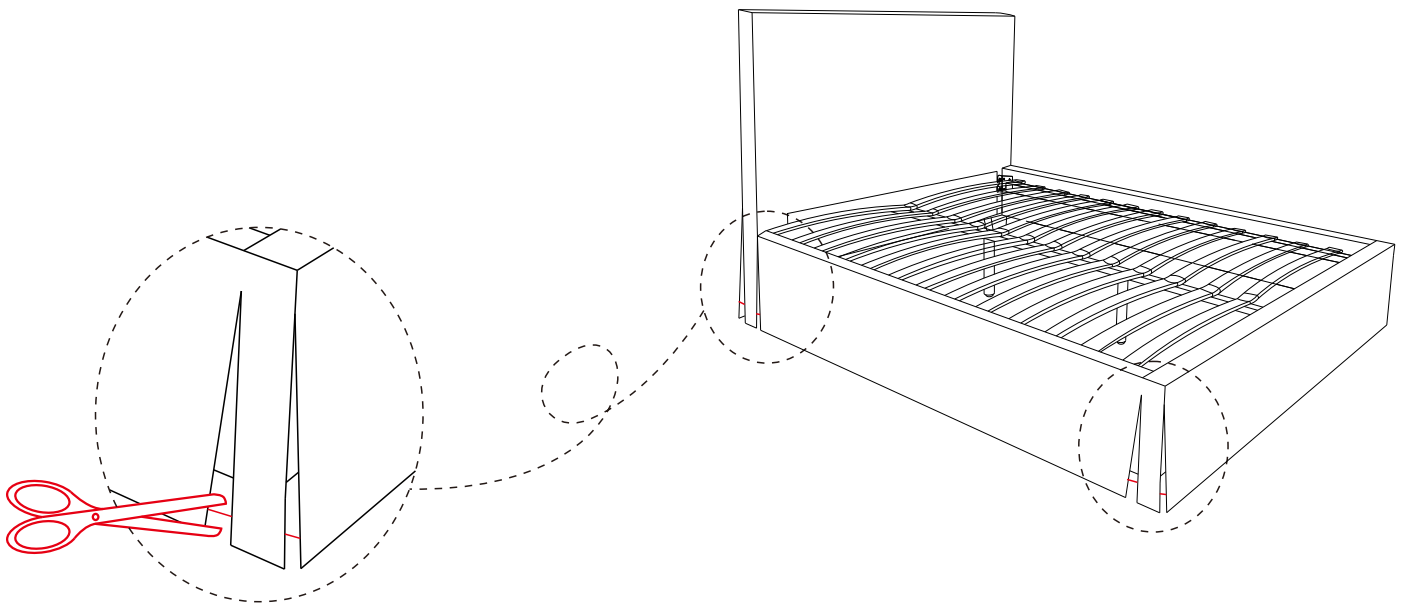
STEP 9 :STARTING FROM HEADBOARD



STEP 10 :



STEP 11 :FOR FABRIC TO LAY CORRECTLY CUT THREADS SECURING PLEATS.

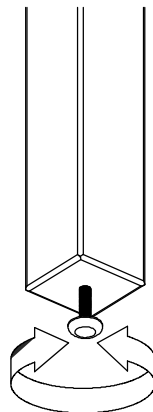


INSTRUCTIONS FOR ADJUSTING LEVELERS :

POSITION THE BED IN YOUR ROOM. LOCATE LEVELERS UNDER EACH SUPPORT LEG (G).

TURN COUNTER-CLOCKWISE TO EXTEND, CLOCKWISE TO RETRACT.

ADJUST LEVELERS UNTIL EACH LEG SUPPORT IS APPLYING EQUAL UPWARD PRESSURE ON THE CENTER SLAT.



MAINTENANCE INSTRUCTIONS :

- REMOVE BOX SPRING AND MATTRESS BEFORE MOVING YOUR BED.
- LIFT YOUR BED WHEN MOVING IT. DRAGGING CAN DAMAGE CENTER SUPPORT.
- READJUST LEVELERS AFTER MOVING YOUR BED.

JULIETTE PLATFORM BED FULL/QUEEN ASSEMBLY INSTRUCTIONS



APPENDIX A:ADJUSTABLE MATTRESS BASE ASSEMBLY SUPPLEMENT

AN ADJUSTABLE MATTRESS BASE IS A FREESTANDING MATTRESS SUPPORT THAT SITS WITHIN THE PERIMETER OF THE BED FRAME.

IF USING THIS BED FRAME WITH A STANDARD BOX SPRING OR FOUNDATION THESE INSTRUCTIONS DO NOT APPLY.

PRE-ASSEMBLED SIDE RAIL CLEATS OBSTRUCT ADJUSTABLE BASE INSTALLATION AND OPERATION. FOLLOW THESE INSTRUCTIONS TO REMOVE THEM.

WARNING!

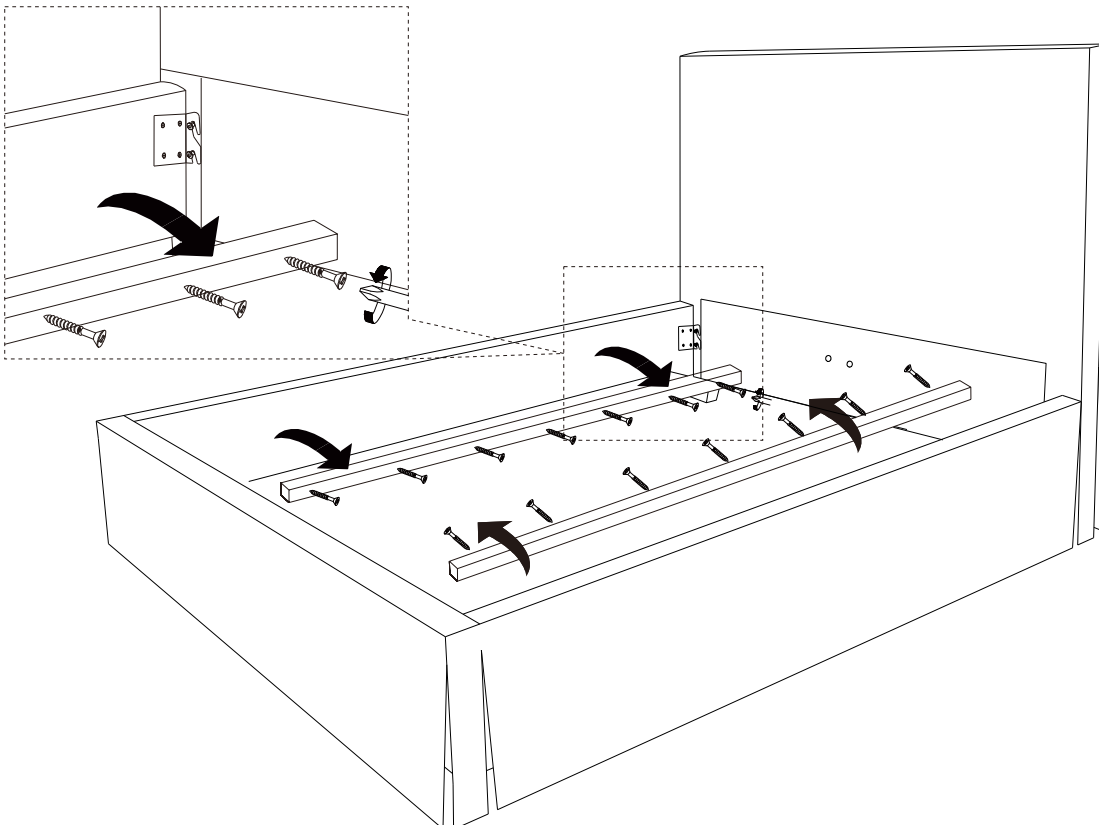
SIDE RAIL CLEATS ARE HELD IN PLACE USING PHILLIPS HEAD SCREWS. ONCE THEY ARE REMOVED THE USER WILL NOT BE ABLE TO SAFELY RE-INSTALL THE SIDE RAIL CLEATS FOR FUTURE USE WITH A STANDARD BOX SPRING OR FOUNDATION.

THE FOLLOWING PARTS ARE NOT REQUIRED FOR ADJUSTABLE MATTRESS BASE INSTALLATION:

F. CENTER SLAT SUPPORT	1 PC
G. CENTER SUPPORT LEG	2 PCS
H. SLAT	26 PCS
I. SIDE RAIL SLAT CLIP	26 PCS
J. CENTER SUPPORT SLAT CLIP	13 PCS

STEP 1 :

USE A PHILLIPS HEAD SCREWDRIVER (NOT PROVIDED) TO UNSCREW THE PHILLIPS SCREWS AND REMOVE THE PRE-ASSEMBLED SIDE RAIL CLEATS.



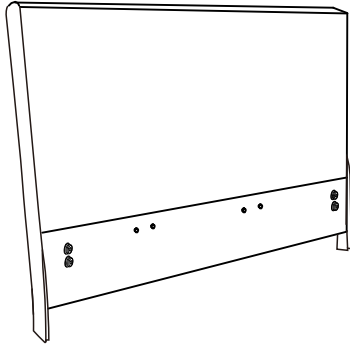
JULIETTE PLATFORM BED C.KING/E.KING ASSEMBLY INSTRUCTIONS



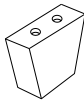
PARTS AND PACKAGING DETAIL

BOX #1

- A. HEADBOARD 1 PC
- B. HEADBOARD LEG 2 PCS



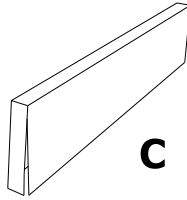
A



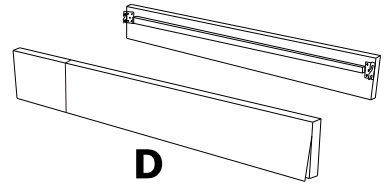
B

BOX #2

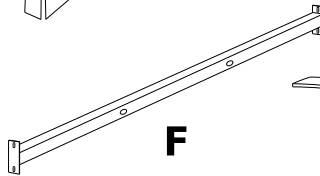
- C. FOOTBOARD 1 PC
- D. SIDE RAIL 2 PCS
- E. FOOTBOARD LEG 2 PCS
- F. CENTER SLAT SUPPORT 2 PCS
- G. CENTER SUPPORT LEG 4 PCS
- H. SLAT 39 PCS
- I. SIDE RAIL SLAT CLIP 26 PCS
- J. CENTER SUPPORT SLAT CLIP 26 PCS



C



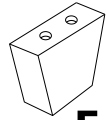
D



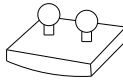
F



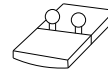
H



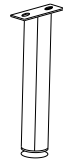
E



I

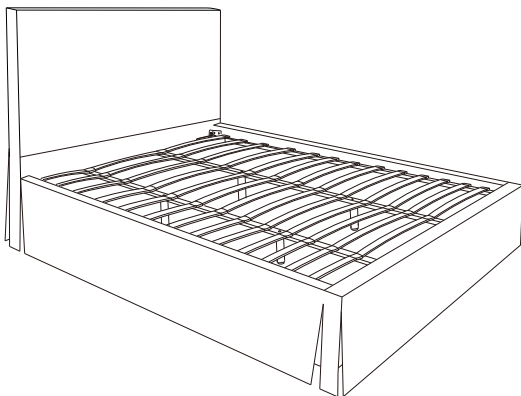


J



G

JULIETTE BED ASSEMBLED



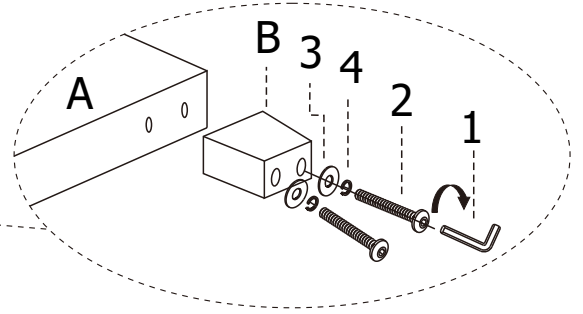
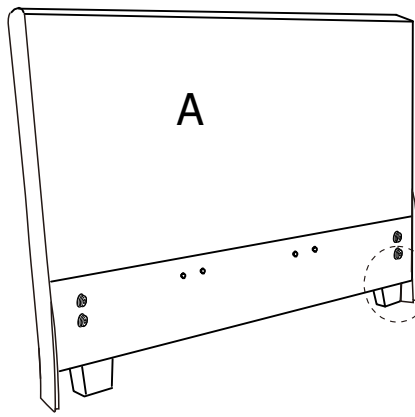
HARDWARE PACKED IN BOX #1

1	ALLEN KEY 5/16"	2	ALLEN BOLT 5/16x3-1/4"	3	FLAT WASHER 5/16"	4	LOCK WASHER 5/16"
1PC		4PCS		4PCS		4PCS	

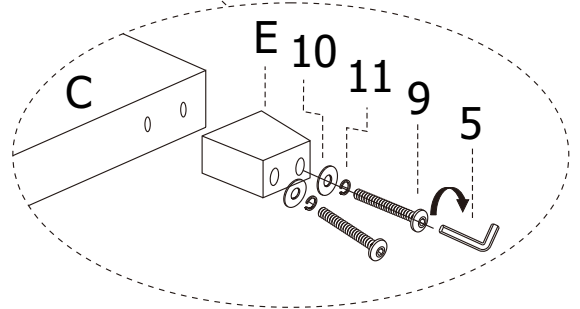
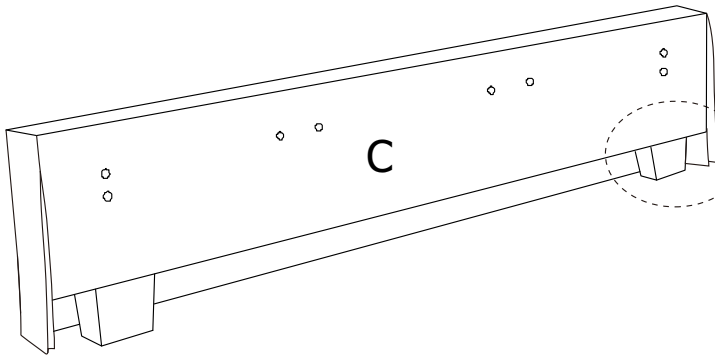
HARDWARE PACKED IN BOX #2

5	ALLEN KEY 5/16"	6	SPANNER 5/16"	7	ALLEN BOLT 5/16x1"	8	ALLEN BOLT 5/16x2-1/2"
1PC		1PC		8PCS		8PCS	
9	ALLEN BOLT 5/16x3-1/4"	10	FLAT WASHER 5/16"	11	LOCK WASHER 5/16"	12	HEX NUT 5/16"
4PCS		28PCS		20PCS		8PCS	

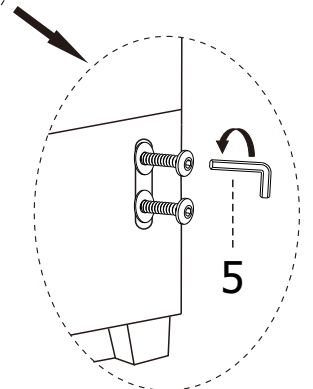
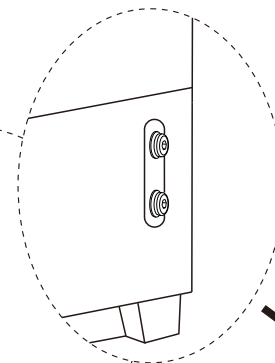
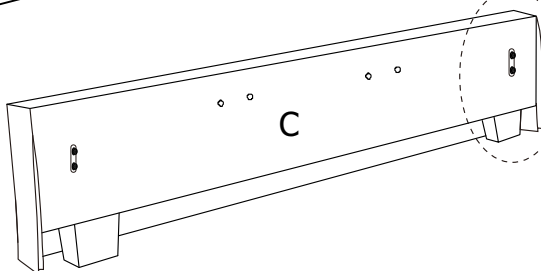
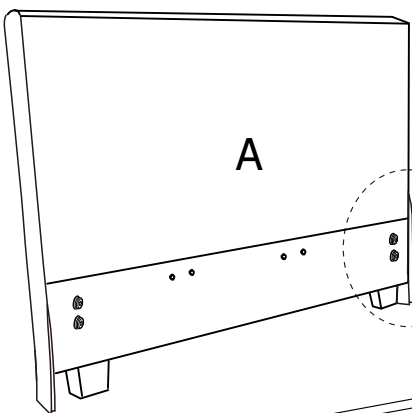
STEP 1 :



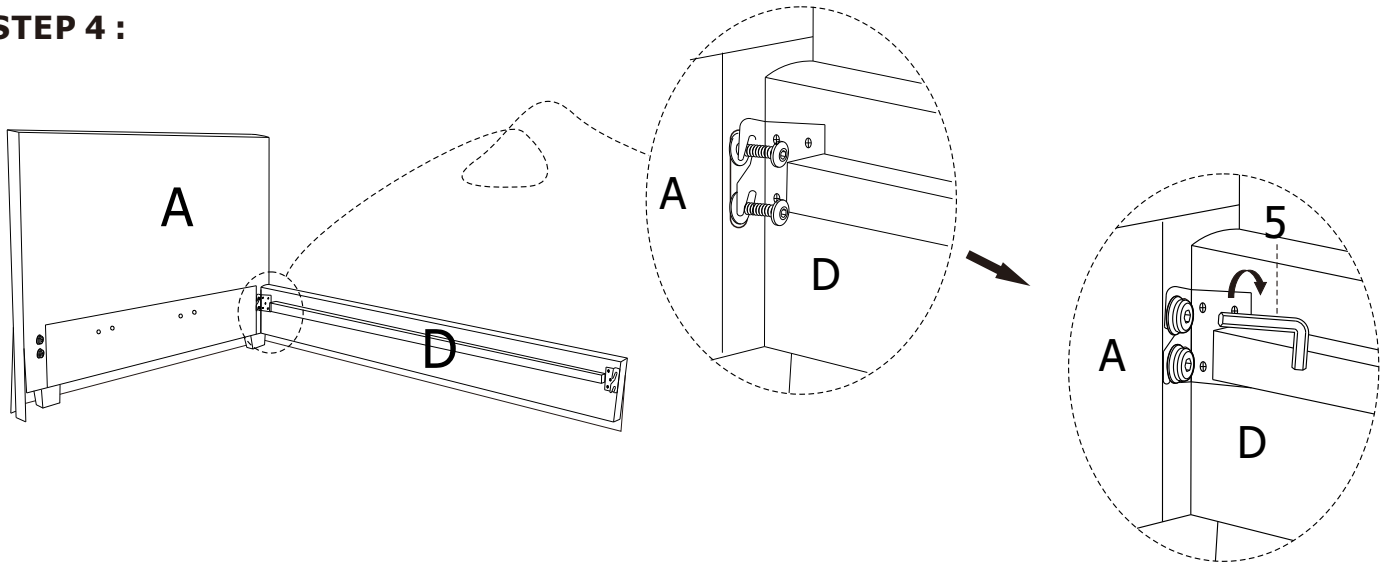
STEP 2 :



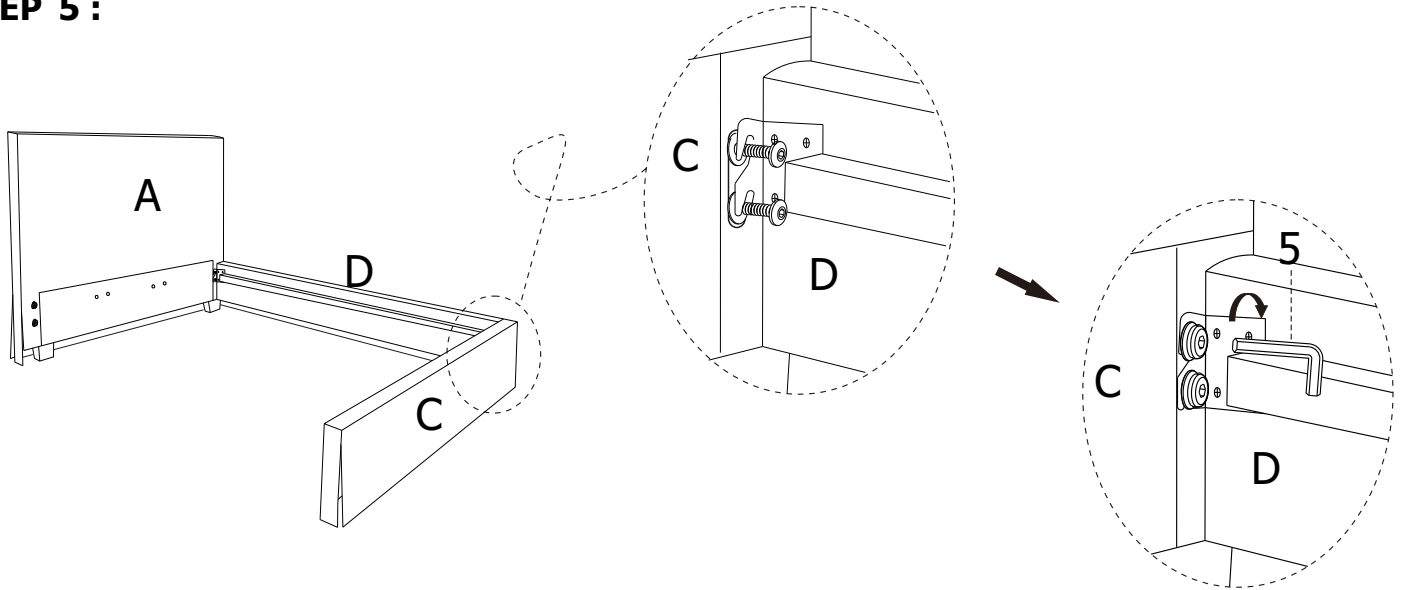
STEP 3 :



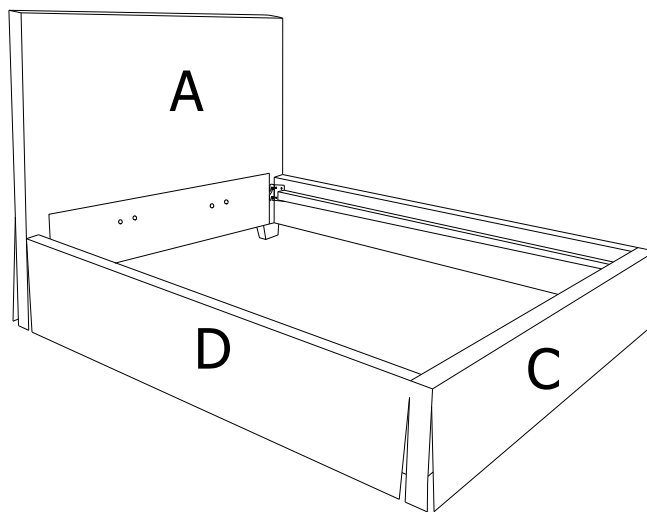
STEP 4 :



STEP 5 :



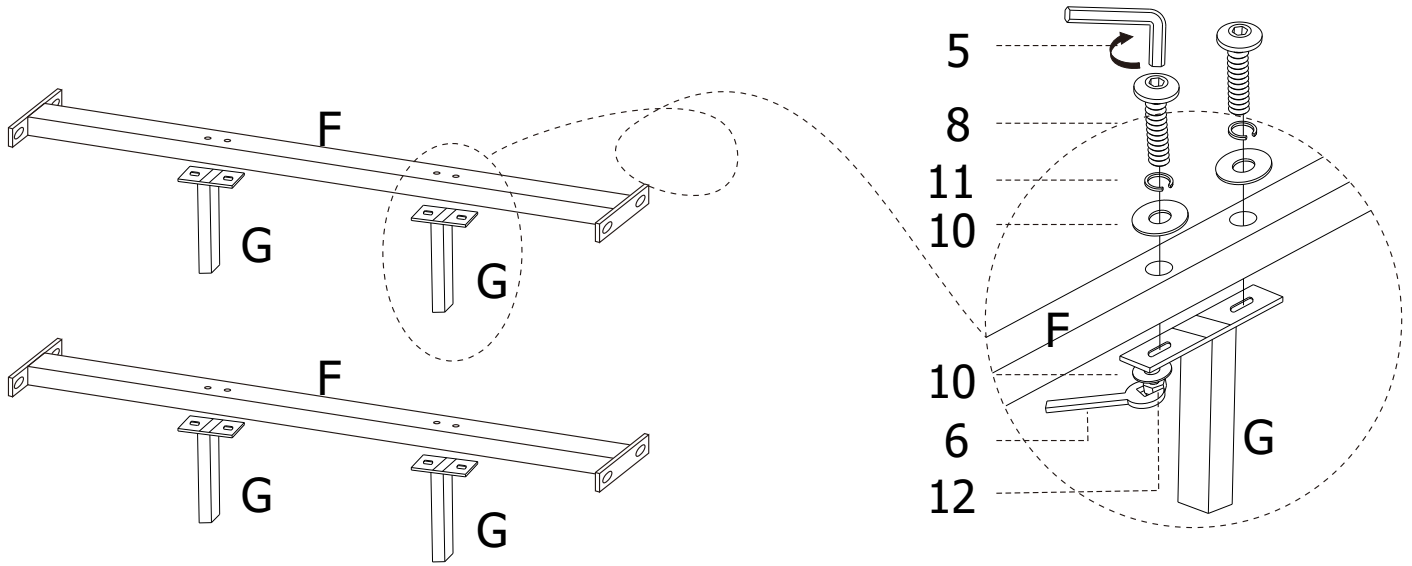
STEP 6 :



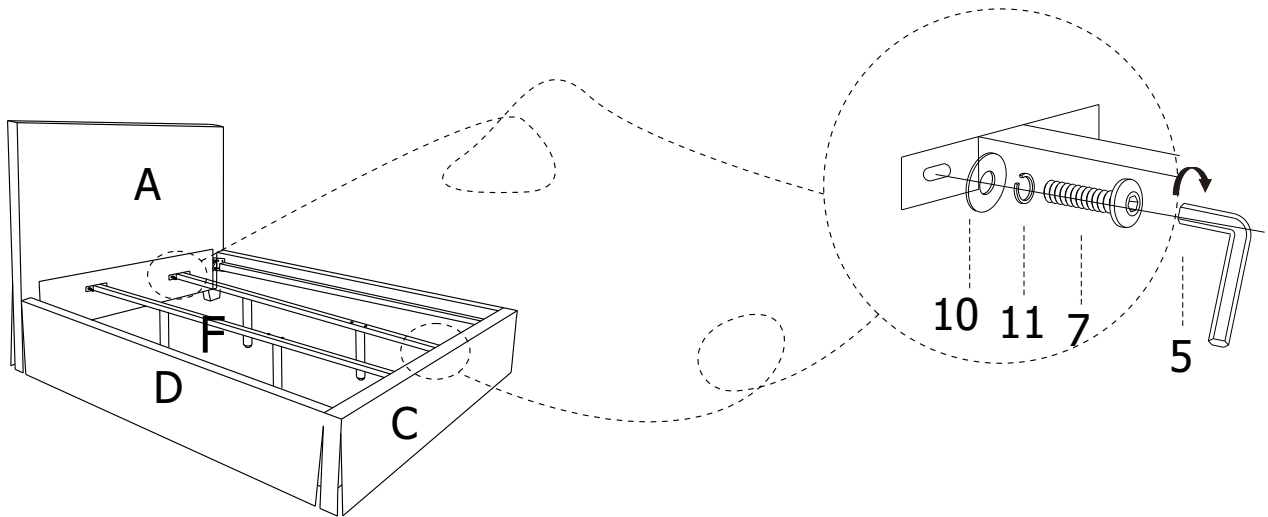
STOP

- IF USING BED WITH AN ADJUSTABLE MATTRESS BASE, SKIP STEPS 7,8,9,& 10 AND REFERENCE APPENDIX A: ADJUSTABLE MATTRESS BASE ASSEMBLY SUPPLEMENT.
- IF USING BED FRAME WITH STANDARD BOX SPRING OR FOUNDATION, CONTINUE TO STEP 7.

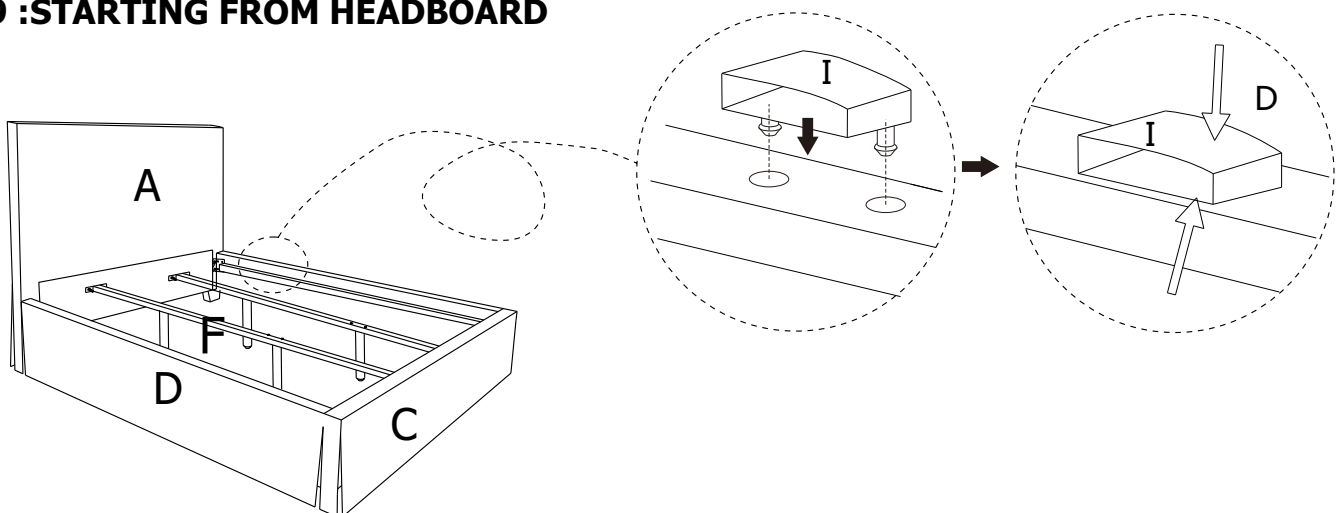
STEP 7 :



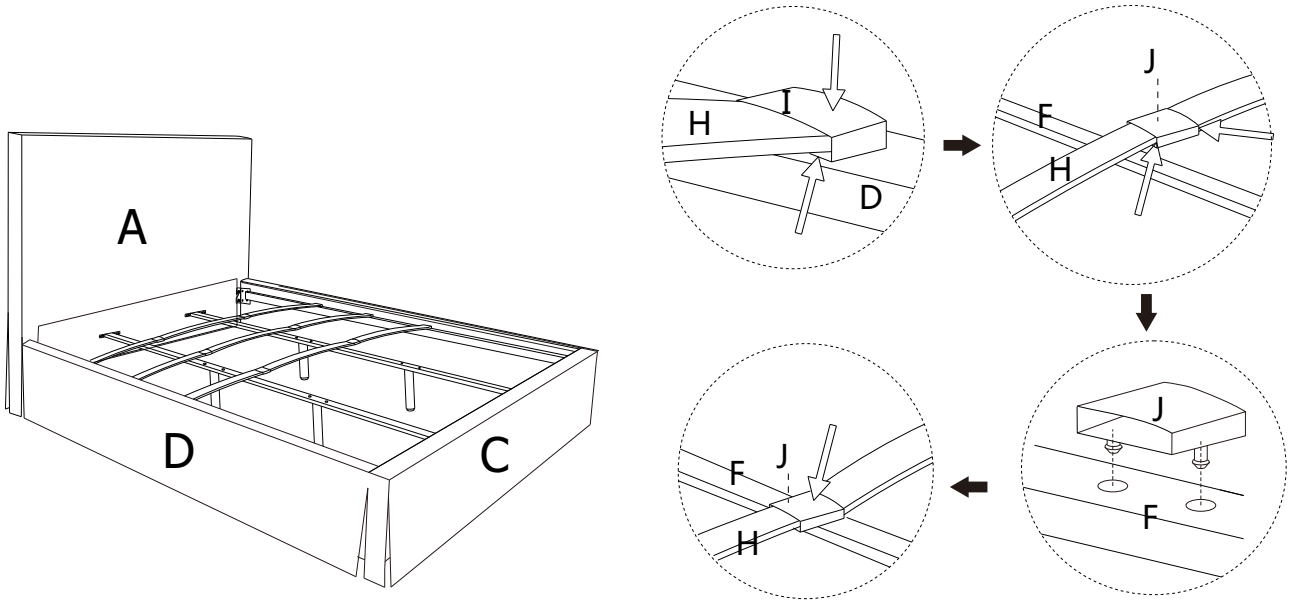
STEP 8 :



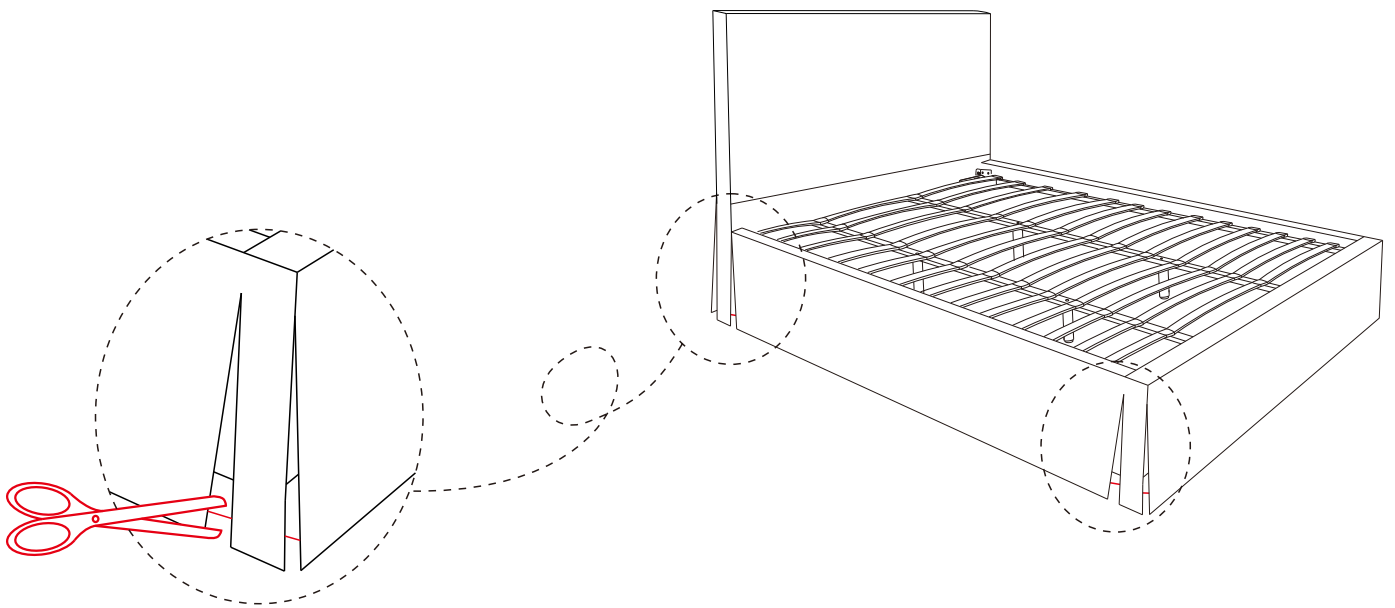
STEP 9 :STARTING FROM HEADBOARD



STEP 10 :



STEP 11 :FOR FABRIC TO LAY CORRECTLY CUT THREADS SECURING PLEATS.

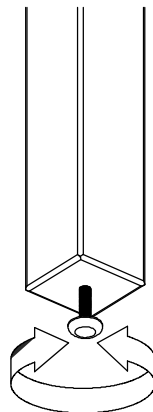


INSTRUCTIONS FOR ADJUSTING LEVELERS :

POSITION THE BED IN YOUR ROOM. LOCATE LEVELERS UNDER EACH SUPPORT LEG (G).

TURN COUNTER-CLOCKWISE TO EXTEND, CLOCKWISE TO RETRACT.

ADJUST LEVELERS UNTIL EACH LEG SUPPORT IS APPLYING EQUAL UPWARD PRESSURE ON THE CENTER SLAT.



MAINTENANCE INSTRUCTIONS :

- REMOVE BOX SPRING AND MATTRESS BEFORE MOVING YOUR BED.
- LIFT YOUR BED WHEN MOVING IT. DRAGGING CAN DAMAGE CENTER SUPPORT.
- READJUST LEVELERS AFTER MOVING YOUR BED.

JULIETTE PLATFORM BED C.KING/E.KING ASSEMBLY INSTRUCTIONS



APPENDIX A:ADJUSTABLE MATTRESS BASE ASSEMBLY SUPPLEMENT

AN ADJUSTABLE MATTRESS BASE IS A FREESTANDING MATTRESS SUPPORT THAT SITS WITHIN THE PERIMETER OF THE BED FRAME.

IF USING THIS BED FRAME WITH A STANDARD BOX SPRING OR FOUNDATION THESE INSTRUCTIONS DO NOT APPLY.

PRE-ASSEMBLED SIDE RAIL CLEATS OBSTRUCT ADJUSTABLE BASE INSTALLATION AND OPERATION. FOLLOW THESE INSTRUCTIONS TO REMOVE THEM.

WARNING!

SIDE RAIL CLEATS ARE HELD IN PLACE USING PHILLIPS HEAD SCREWS. ONCE THEY ARE REMOVED THE USER WILL NOT BE ABLE TO SAFELY RE-INSTALL THE SIDE RAIL CLEATS FOR FUTURE USE WITH A STANDARD BOX SPRING OR FOUNDATION.

THE FOLLOWING PARTS ARE NOT REQUIRED FOR ADJUSTABLE MATTRESS BASE INSTALLATION:

F. CENTER SLAT SUPPORT	2 PCS
G. CENTER SUPPORT LEG	4 PCS
H. SLAT	39 PCS
I. SIDE RAIL SLAT CLIP	26 PCS
J. CENTER SUPPORT SLAT CLIP	26 PCS

STEP 1 :

USE A PHILLIPS HEAD SCREWDRIVER (NOT PROVIDED) TO UNSCREW THE PHILLIPS SCREWS AND REMOVE THE PRE-ASSEMBLED SIDE RAIL CLEATS.

