

ORDER BY PART NUMBER

## ILLUSTRATED PARTS

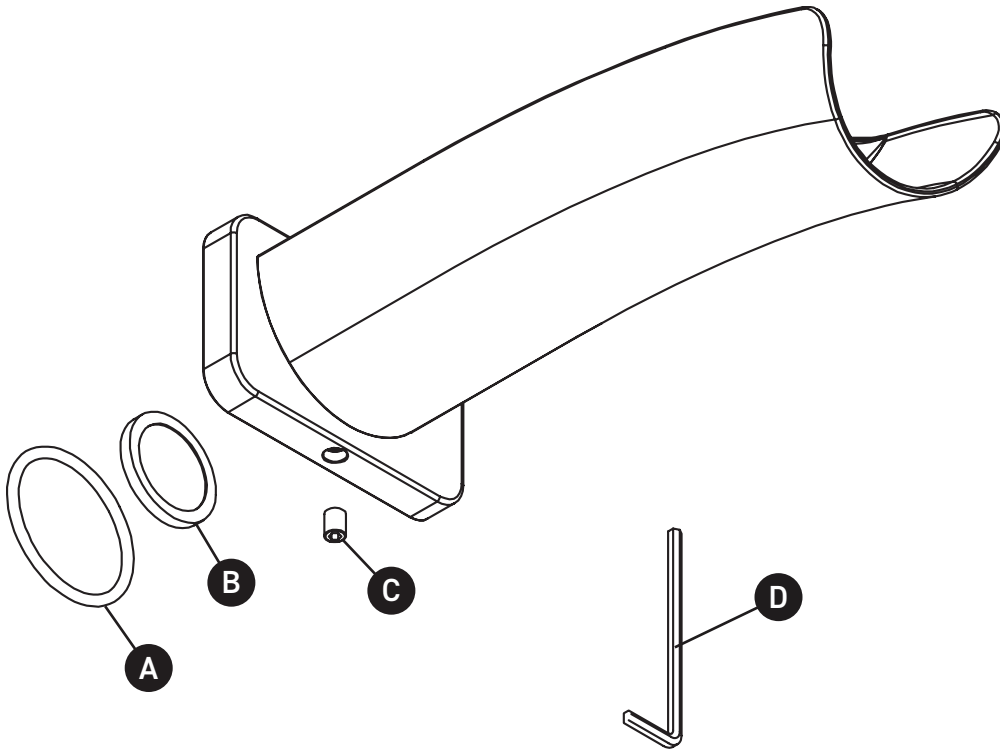
### TSA80

Salomé™ Wall Mount Tub Spout

ID	Kit Number	Finish
A	227-346	N/A
B	302-705	N/A
C	152-080	N/A
D	505-025	N/A

\*Finish Determined by Suffix

Finish	Description
C	Chrome
PN	Polished Nickel



For warranty or additional information, contact:

U.S.A.  
houseofrohl.com/support  
1-800-777-9762

QUEBEC / MARITIMES / WESTERN CANADA  
QUÉBEC / MARITIMES / OUEST CANADIEN  
QUEBEC / MARITIMOS / CANADA OCCIDENTAL  
houseofrohl.ca/support  
1-866-473-8442

ONTARIO  
houseofrohl.ca/support  
1-800-287-5354

VEUILLEZ EFFECTUER VOTRE COMMANDE  
PAR NO DE RÉFÉRENCE

## ILLUSTRATIONS DES PIÈCES

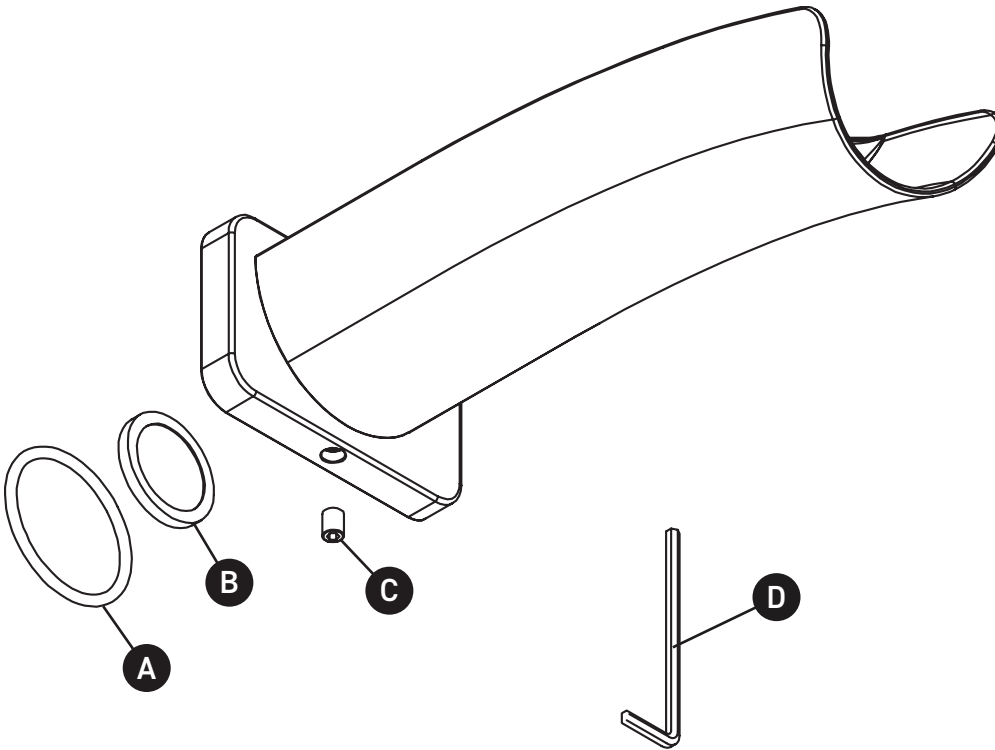
### TSA80

Garniture de bec de bain mural  
Salomé™

ID	Référence du kit	Finition
A	227-346	N/A
B	302-705	N/A
C	152-080	N/A
D	505-025	N/A

\*Finition déterminée par le Suffixe

Finition	Description
C	Chrome
PN	Nickel poli



For warranty or additional information, contact:

U.S.A.  
houseofrohl.com/support  
1-800-777-9762

QUEBEC / MARITIMES / WESTERN CANADA  
QUÉBEC / MARITIMES / OUEST CANADIEN  
QUEBEC / MARITIMOS / CANADA OCCIDENTAL  
houseofrohl.ca/support  
1-866-473-8442

ONTARIO  
houseofrohl.ca/support  
1-800-287-5354

PEDIR POR NÚMERO DE REFERENCIA

## PIEZAS ILUSTRADAS

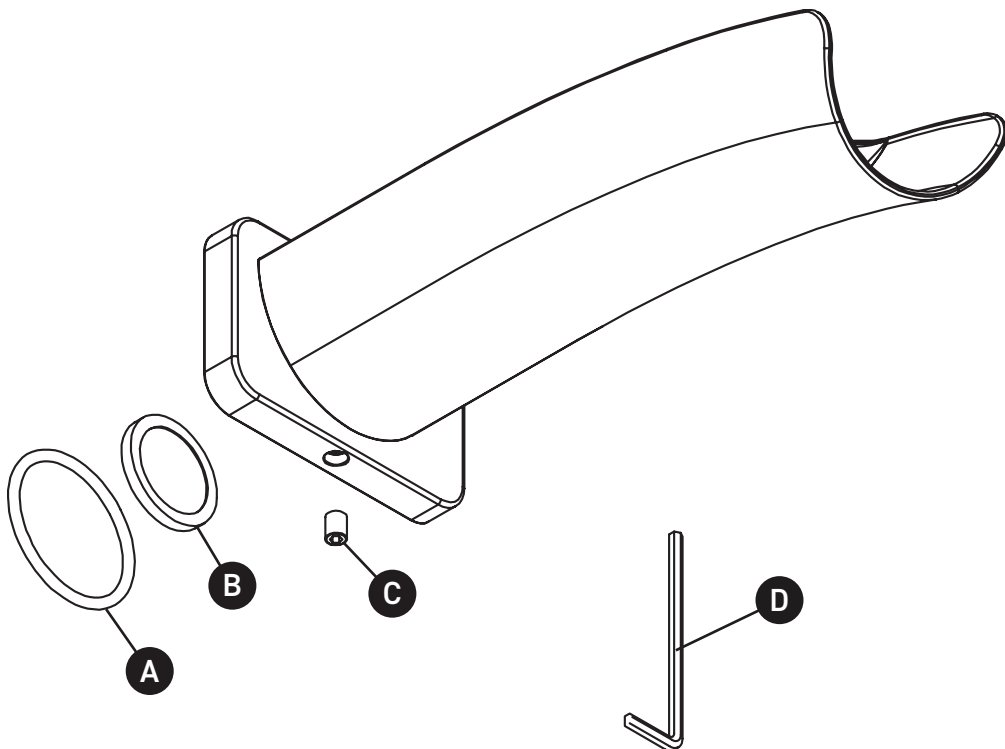
### TSA80

Caño para bañera de montaje en pared  
Salomé™

ID	Referencia del kit	Acabado
A	227-346	N/A
B	302-705	N/A
C	152-080	N/A
D	505-025	N/A

\*Acabado determinado por el sufijo

Acabado	Descripción
C	Cromo
PN	Níquel pulido



For warranty or additional information, contact:

U.S.A.  
houseofrohl.com/support  
1-800-777-9762

QUEBEC / MARITIMES / WESTERN CANADA  
QUÉBEC / MARITIMES / OUEST CANADIEN  
QUEBEC / MARITIMOS / CANADA OCCIDENTAL  
houseofrohl.ca/support  
1-866-473-8442

ONTARIO  
houseofrohl.ca/support  
1-800-287-5354