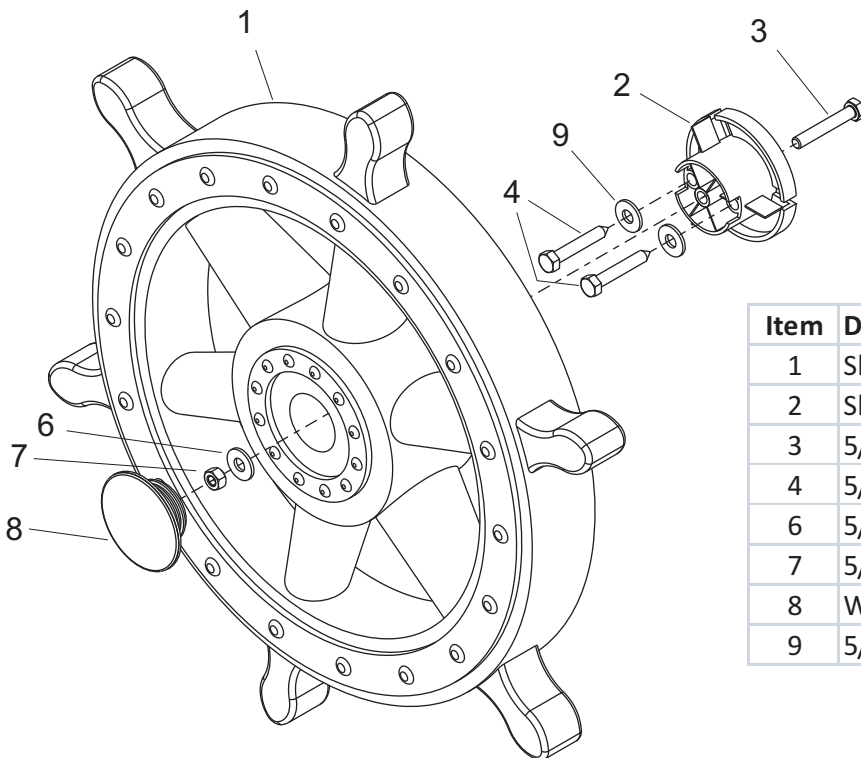




SHIPS WHEEL

Assembly Instructions

1. Choose a location to install the ship's wheel. The ship's wheel should never be mounted more than 3' above the surfacing or the platform. It must always face into play system. The ship's wheel is not meant to be climbed on or used as a support, for hands or feet, in the climbing process.
2. Insert hex bolt (3) into wheel mount (2) as shown. Make sure head of bolt is below surface.
3. Using the two outer holes in wheel mount (2) as a template mark and drill two 3/16" holes approximately 1" deep. Attach the wheel mount (2) to playset using two lag bolts (4) and flatwashers (9).
4. Attach ship's wheel (1) to wheel mount (2) using bolt installed in step 2 and flatwasher (6) and locknut (7). Tighten locknut tight but not too tight. Wheel should turn freely.



Item	Description	Qty
1	Ships Wheel	1
2	Ships Wheel Mount	1
3	5/16" X 2" MACHINE BOLT	1
4	5/16" X 2 1/2" LAG SCREW	2
6	5/16" ID X 7/8" OD WASHER	1
7	5/16" LOC NUT	1
8	Wheel Cap	1
9	5/16" ID X 11/16" OD WASHERS	2