



Turing CORE AI cloud VSaaS-ready w/ SMART Series NVR & bridge



People & vehicle detection on the edge



White & IR dual LED lights



Active audible deterrence w/ built-in microphone and speaker

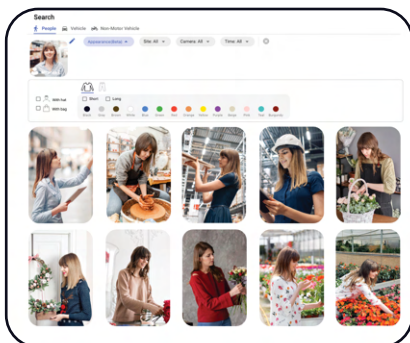


NDAA compliant

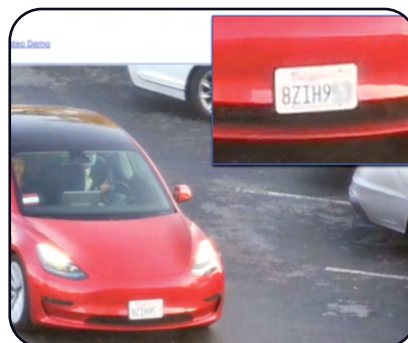


Up to 10-year extended warranty with CORE AI license

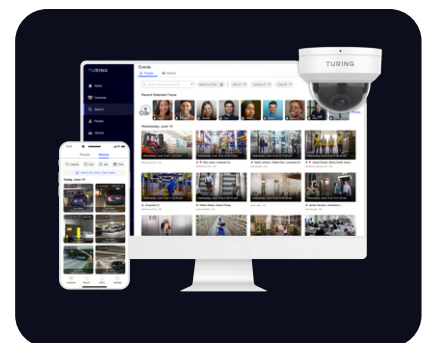
Fast & Easy Security Workflow with CORE AI License



People* & vehicle attribute search



License plate recognition with black- and whitelists



Customized smart alerts anywhere using Vision apps

*Activation depends on state regulations and the compliance with Biometric Information Protection Act (BIPA). Please refer to our privacy policy.



SPECIFICATIONS

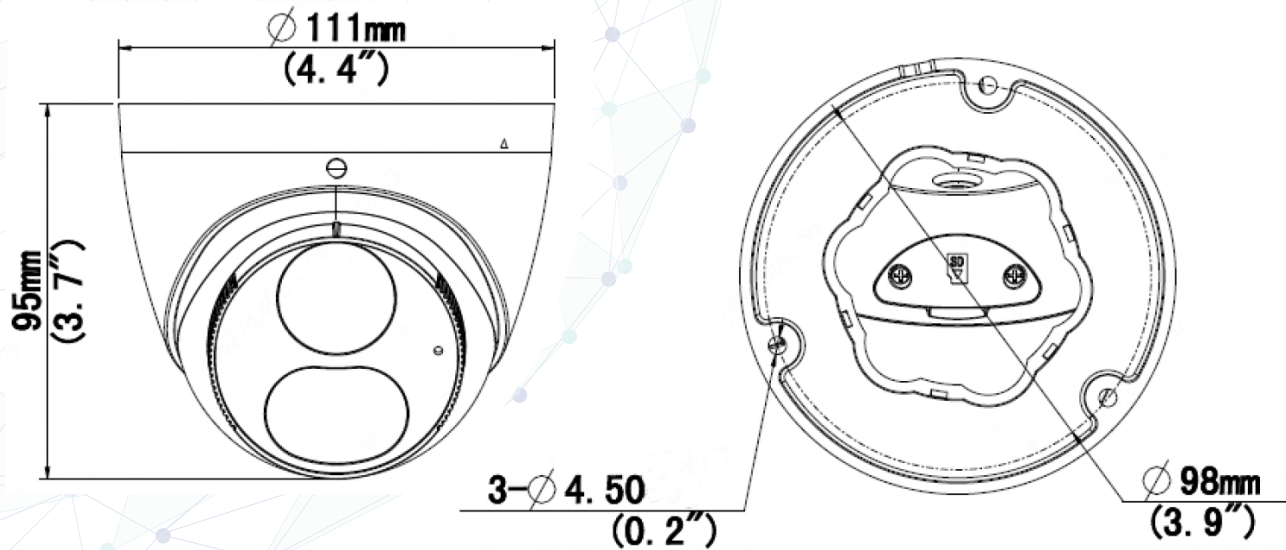


Model Number	TP-MEAD4M28	TP-MEAD8M28
Sensor	1/2.7" 4MP 16:9 Progressive Scan CMOS	1/2.8" 8MP 16:9 Progressive Scan CMOS
Minimum Illumination	Color: 0.002 Lux (F1.6, AGC on); 0 Lux with IR on; IR-cut filter with auto switch	Color: 0.0025 Lux (F1.6, AGC on); 0 Lux with IR on; IR-cut filter with auto switch
Lens	2.8 mm fixed lens; F1.6	
Field of View	H: 101.1°; V: 55.3°; D: 111.1°	H: 106.7°; V: 57.1°; D: 115.7°
Manual Angle Adjustment	Pan: 0°~360°; Tilt: 0°~80°; Rotate: 0°~360°	
Supplemental Lights	IR: Up to 98 ft (30m); Visible white light: Up to 32 ft (10m)	
Video Encoding	Ultra 265, H.265, H.264, MJPEG	
Max Video Resolution & Frame Rate	Main Stream: 2688*1520 @ 30 FPS Sub Stream: 1280*720 @ 30 FPS Third Stream: 720*576 @ 30 FPS	Main Stream: 3840*2160 @ 20 FPS Sub Stream: 1920*1080 @ 30 FPS Third Stream: 720*576 @ 30 FPS
Digital Processing	120 dB wide dynamic range (WDR); 2D & 3D digital noise reduction; defog	
On-Screen Display & Masking	Up to 8 on-screen text fields; up to 4 privacy masks	
Image Flip & Rotation	Normal / Vertical / Horizontal / 180° / 90° Clockwise / 90° Counterclockwise	
Event Handling	Basic: motion detection, tampering alarm, audio detection; Intelligent: cross Line, intrusion, enter area, with people, vehicle, and non-motor vehicle classifications	
Audio	On-board microphone and speaker; G.711; 64 Kbps; 8 KHz; noise suppression available	
Cloud VSaaS Integration	Turing Vision, with SMART Series NVR, Bridge, and CORE AI license	
Software Clients	Turing Vision mobile & desktop APP; SMART Station	
ONVIF Compatibility	Profiles S, G, T	
Network Interface	1 * RJ45 10M/100M Base-TX Ethernet	
Onboard Storage	microSD (not included), up to 256 GB	
Reset Button	Not Available	
Power & Protection	DC 12V±25%, PoE (IEEE 802.3af); up to 7.5W; 4KV Surge Protection	DC 12V±25%, PoE (IEEE 802.3af); up to 10.5W; 4KV Surge Protection
Dimensions & Weight	Φ4.4" x 3.7" (Φ111 x 95mm); 0.948lb (0.43kg)	Φ4.4" x 3.7" (Φ111 x 95mm); 1.058lb (0.48kg)
Temperature & Humidity Ratings	Working: -22°F ~ 131°F (-30°C ~ 55°C), Humidity: ≤95% RH (non-condensing) Storage: -22°F ~ 131°F (-30°C ~ 55°C), Humidity: ≤95% RH (non-condensing)	
Certifications	FCC, UL, CE	
Environmental Protection	IP67	

ORDERING INFORMATION

Resolution	Camera Only	Add 1-Yr License	Add 3-Yr License	Add 5-Yr License	Add 10-Yr License
4MP	TP-MEAD4M28	TV-CORE1Y	TV-CORE3Y	TV-CORE5Y	TV-CORE10Y
8MP	TP-MEAD8M28	TV-CORE1Y	TV-CORE3Y	TV-CORE5Y	TV-CORE10Y

DIMENSIONS



MOUNTING ACCESSORIES

