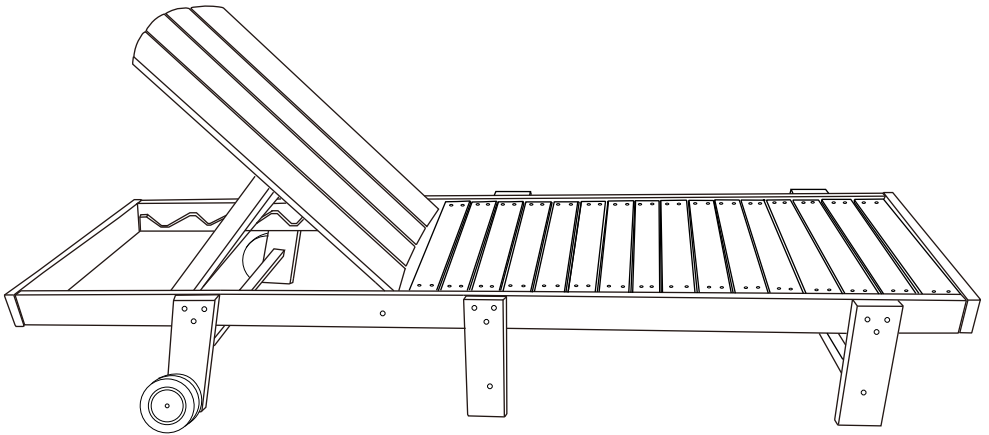


# INSTRUCTION MANUAL



**Laguna Adirondack Poly Reclining  
Chaise Lounge With Wheels  
SKU: OP4006**

V1.0

## ! NOTICE

### Do not overtighten screws. (Insert all screws before tighten screws.)

- Please do not exceed the weight limitations of this item.
- Do not stand on or use any part of this item as a step ladder.
- Firmly secure all bolts, screws and nuts before use.
- Reconfirm that all bolts, screws, and nuts are secure every 90 days.
- Do not use or store this item in the proximity of open flame or flammable/combustible chemicals.
- Be aware that some parts are heavy and have sharp edges.
- Be very careful when adjusting lounge backrest to avoid smashing your hands or fingers.

## TOOLS REQUIRED



ALLEN WRENCH  
(PROVIDED)



LOUNGE  
330 LBS  
CAPACITY



1 PERSON  
ASSEMBLY



UP TO 30 MIN.  
ASSEMBLY

## HARDWARE

1 M6 x 50mm  
BOLT



24 PCS

2 M6 x 40mm  
BOLT



2 PCS

3 M8 x 30mm  
CAP NUT



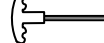
2 PCS

4 M6 WASHER



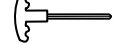
2 PCS

5 M6 ALLEN  
WRENCH



1 PC

6 M4 ALLEN  
WRENCH

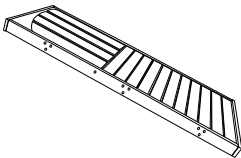


1 PC

## PARTS

A

LOUNGE BASE



1 PC

B

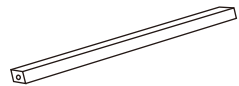
FRONT LEG



4 PCS

C

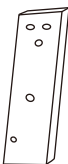
RAIL



3 PCS

D

RIGHT REAR LEG



1 PC

E

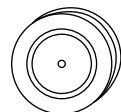
LEFT REAR LEG



1 PC

F

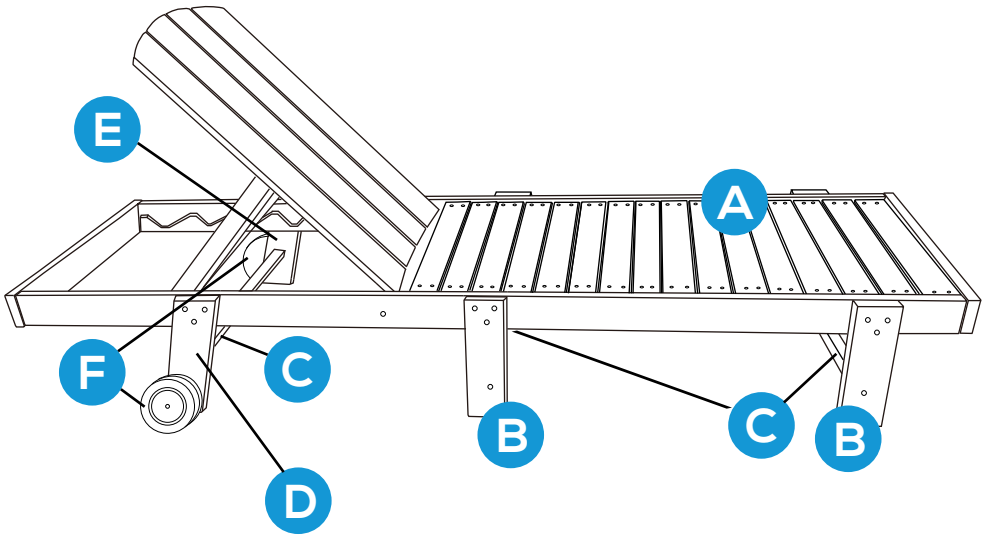
WHEEL



2 PCS

## PRODUCT ASSEMBLY - OVERALL VIEW

Look at following overall view of this Lounge and learn the exact position of each parts to be assembled.



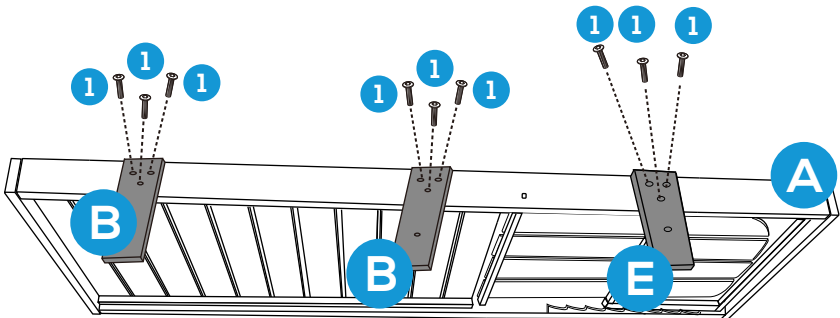
## PRODUCT ASSEMBLY

**1**

Place Right side of the Lounge base on smooth ground as below.

Attach part E Left Rear Leg to the left side of the lounge with 3 pcs of hardware 1 Bolt.

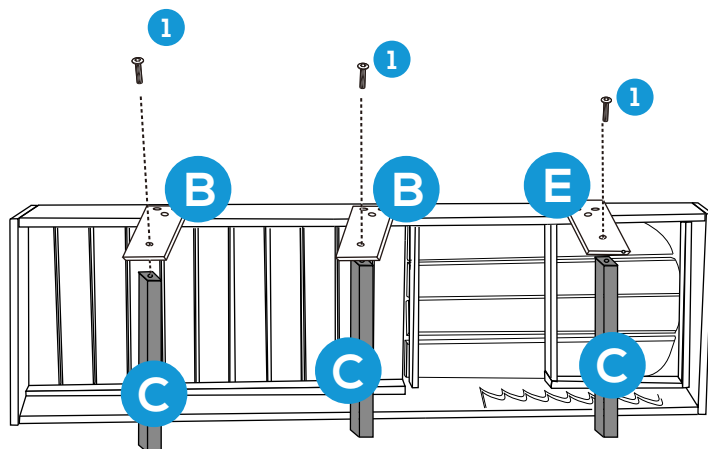
Attach 2 pcs of part B Leg to the left side of the lounge with 6 pcs of hardware 1 Bolt.



## PRODUCT ASSEMBLY

2

Attach 3 pcs of part C Rail to part B Legs and Part E Left Rear Leg with 3 pcs of hardware 1 Bolt.

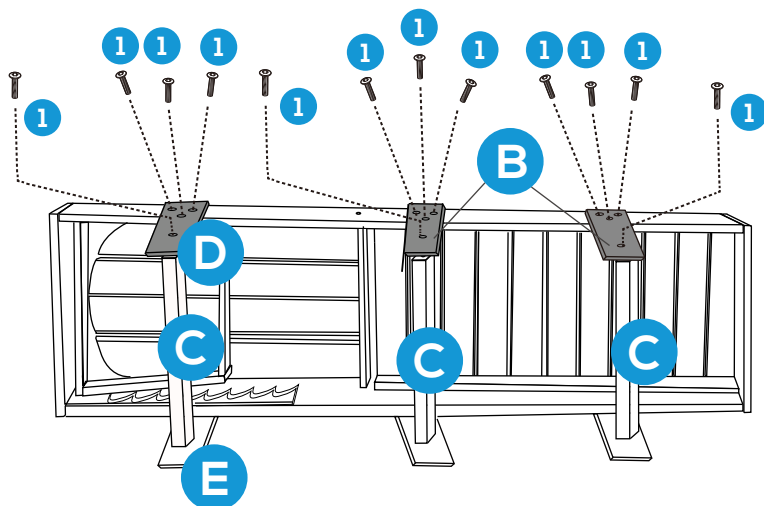


3

Attach part D Right Rear Leg to the right side of the lounge with 3 pcs of hardware 1 Bolt.

Attach 2 pcs of part B Front Legs to the right side of the lounge with 6 pcs of hardware 1 Bolt.

Attach 3 pcs of part C Rail to part B Legs and D Right Rear Leg with 3 pcs of hardware 1 Bolt.



## PRODUCT ASSEMBLY

**4**

Attach 2 pcs of part F Wheels to part D Right rear leg & part E Left rear leg with 2 sets of hardware 2 Bolt and hardware 3 Cap nut as well as hardware 4 Washer.

Remark: Hardware 4 Washer should be put between rear leg & wheel for easy movement.

Adjust the backrest to a comfortable position and lock the back support to the socket.

