

Adventure Starts Here.

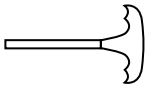
ADIRONDACK GLIDER

SEAHAWK
DESIGNS
EST. 2005

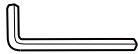
! NOTICE

- Do not overtighten hardware.
- Do not exceed the weight capacity of this item.
- Only use this item for what it is intended for, improper use will void any warranty.
- Firmly secure all bolts, screws and nuts before use.
- Reconfirm that all bolts, screws, and nuts are firmly secured every 90 days.
- Keep this furniture clear of all uncontrolled open flames or flammable/combustible materials. Exposure to fire, high heat, or embers will permanently damage the material.
- To avoid stripping and cracking of the material, DO NOT use power tools for assembly.
- Always prioritize caution and safety throughout the assembly process.

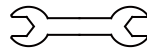
TOOLS REQUIRED



ALLEN WRENCH
(PROVIDED)



ALLEN WRENCH
(PROVIDED)



WRENCH
(PROVIDED)



380 LBS
WEIGHT
CAPACITY



SUGGESTED
2 PERSON
ASSEMBLY



ESTIMATED
ASSEMBLY
TIME: 30 MIN

1

SCREW
M6 x 40mm



3 PCS

2

SCREW
M6 x 60mm



8 PCS

3

SCREW
M6 x 70mm



16 PCS

4

SCREW
M6 x 90mm



2 PCS

5

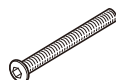
BOLT
M6 x 25mm



8 PCS

6

BOLT
M6 x 55mm



10 PCS

7

M6-NUT



10 PCS

8

M6-WASHER



18 PCS

9

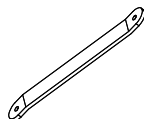
CAP NUT



8 PCS

10

GLIDER BRACKET



4 PCS

11

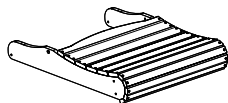
SCREW HOLE PLUG



30 PCS

A

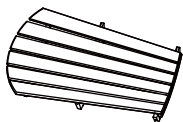
CHAIR SEAT



1 PC

B

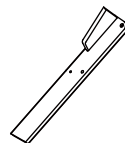
CHAIR BACKREST



1 PC

C

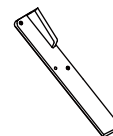
LEFT FRONT LEG



1 PC

D

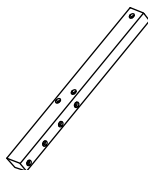
RIGHT FRONT LEG



1 PC

E

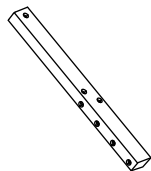
LEFT REAR LEG



1 PC

F

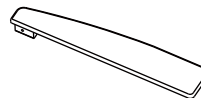
RIGHT REAR LEG



1 PC

G

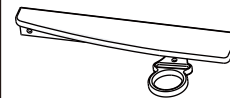
LEFT ARM



1 PC

H

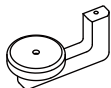
RIGHT ARM



1 PC

I

CUP HOLDER



1 PC

J

FOOT BASE



2 PCS

K

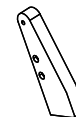
GLIDER FOOT BASE



2 PCS

L

GLIDER LEG I



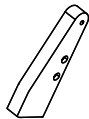
2 PCS

PARTS

REF#: OP5016

M

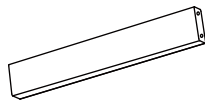
GLIDER LEG II



2 PCS

N

RAIL

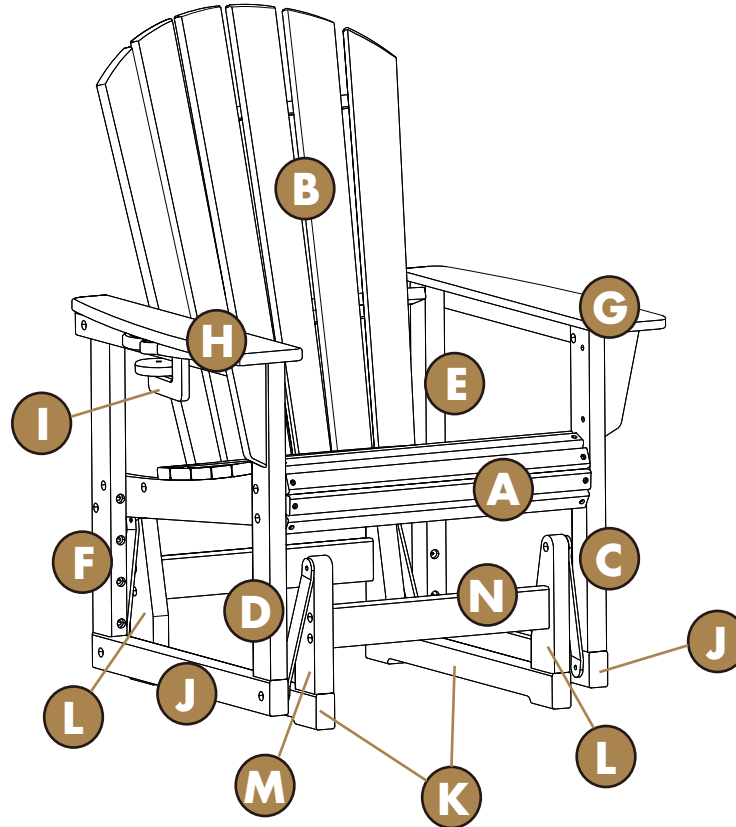


2 PCS

PRODUCT ASSEMBLY - OVERALL VIEW

REF#: OP5016

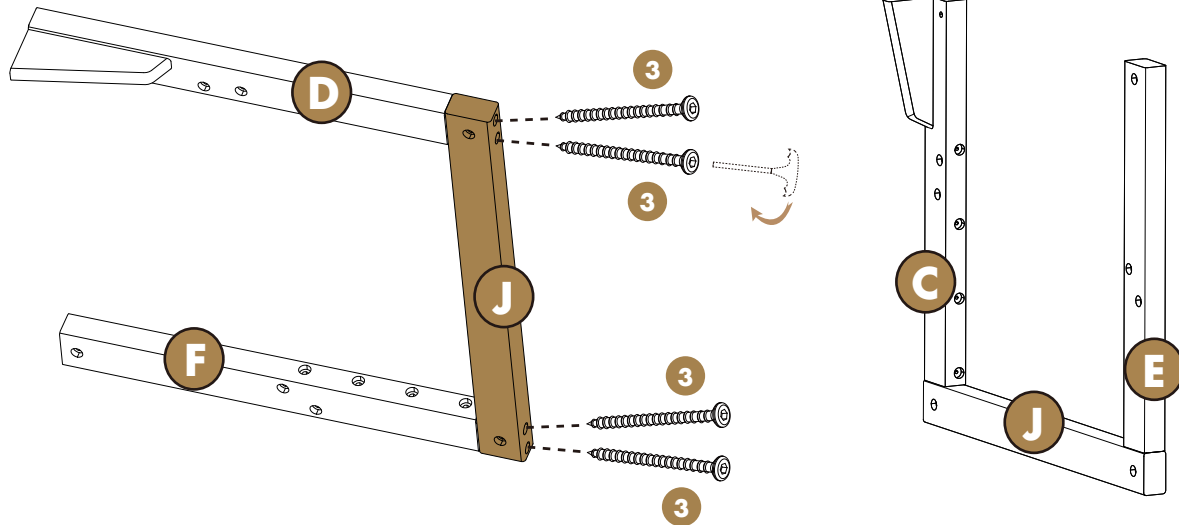
Please refer back to this image during the assembly process for part placement.



1

Step 1: Assemble the Foot Base and the Chair Legs

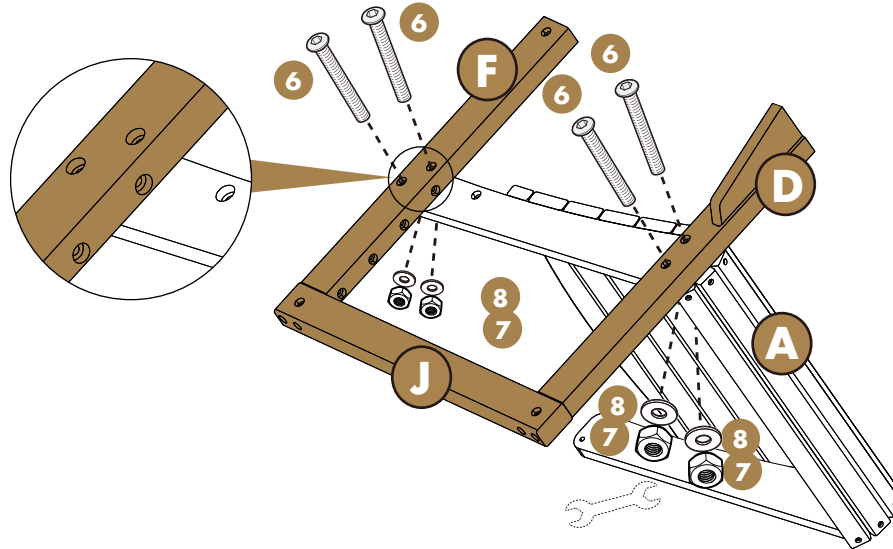
- Attach **Part J (Foot Base)** to **Part D (Right Front Leg)** and **Part F (Right Rear Leg)** using **4 - M6 Screw (#3)** (see image below).
- Do the same to attach **Part J (Foot Base)** to **Part C (Left Front Leg)** and **Part E (Left Rear Leg)** using **4 - M6 Screw (#3)** (see image below).
- Do not fully tighten the bolts yet. Tighten them to approximately 70% to allow for adjustments during final assembly.



2

Step 2: Attach the Right Legs to the Chair Seat

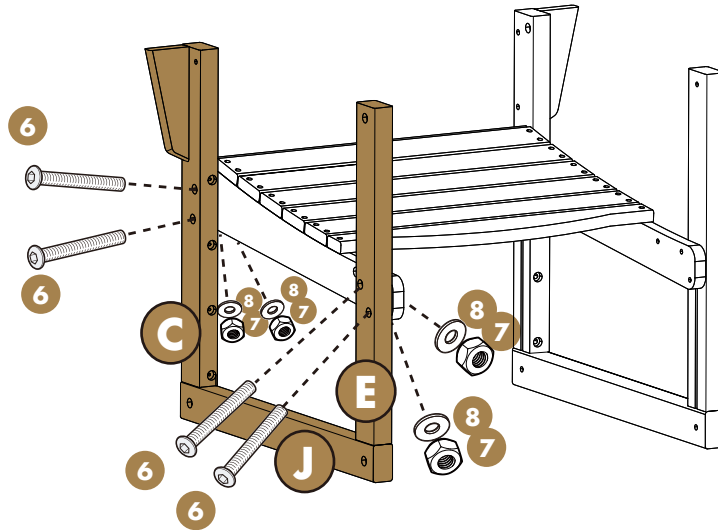
- Place **Part A (Chair Seat)** on a flat, stable surface.
- Attach the **Assembled Right Legs (Part D, Part J and Part F)** to **Part A (Chair Seat)** using **4 - sets** of the **M6 Screw (#6)**, **M6 Washer (#8)** and **M6 Nut (#7)** (see image below).



3

Step 2: Attach the Left Legs to the Chair Seat

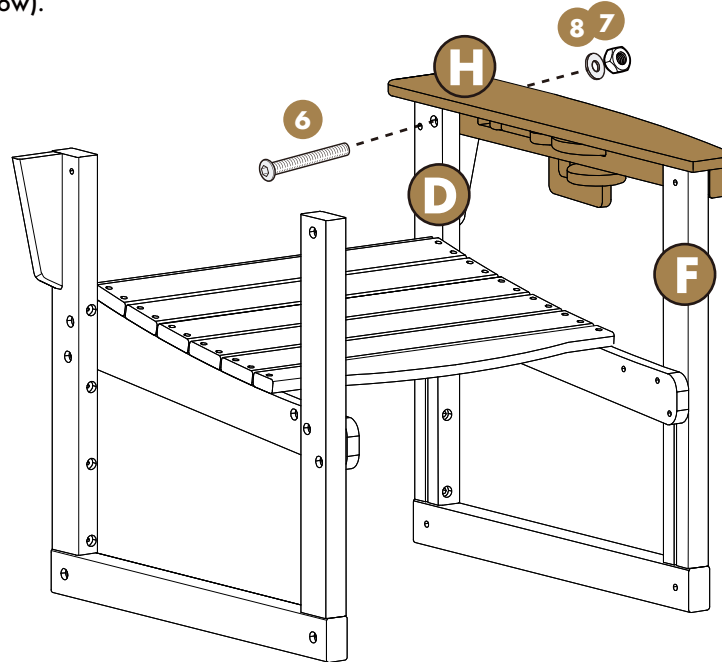
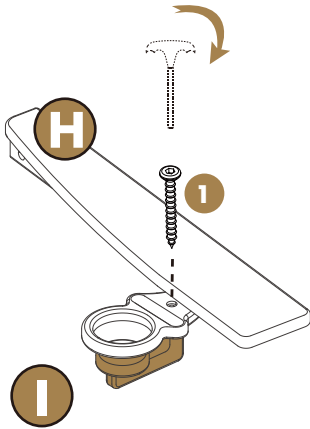
- Attach the **Assembled Left Legs (Part C, Part J and Part E)** to **Part A (Chair Seat)** using **4 - sets** of the **M6 Screw (#6)**, **M6 Washer (#8)** and **M6 Nut (#7)** (see image below).



4

Step 4: Attach the Cup Holder to the Arm, and Arm to Chair

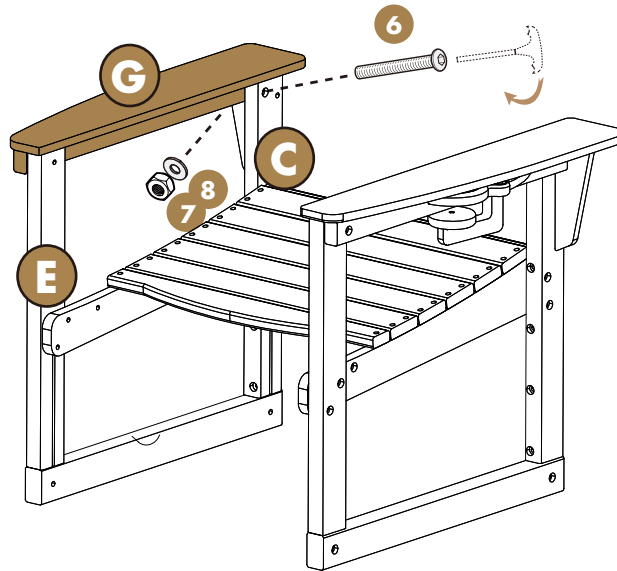
- Attach **Part I (Cup Holder)** to the bracket on **Part H (Right Arm)** using **1 - M6 Screw (#1)** (see image below).
- Next, secure the combined **Part H (Right Arm with Cup Holder)** unit to the **Right Chair Legs (Part F and Part D)**. This requires **1 - set of the M6 Bolt (#6), M6 Washer (#8), and M6 Nut (#7)** (see image below).



5

Step 4: Attach the Left Arm to the Chair

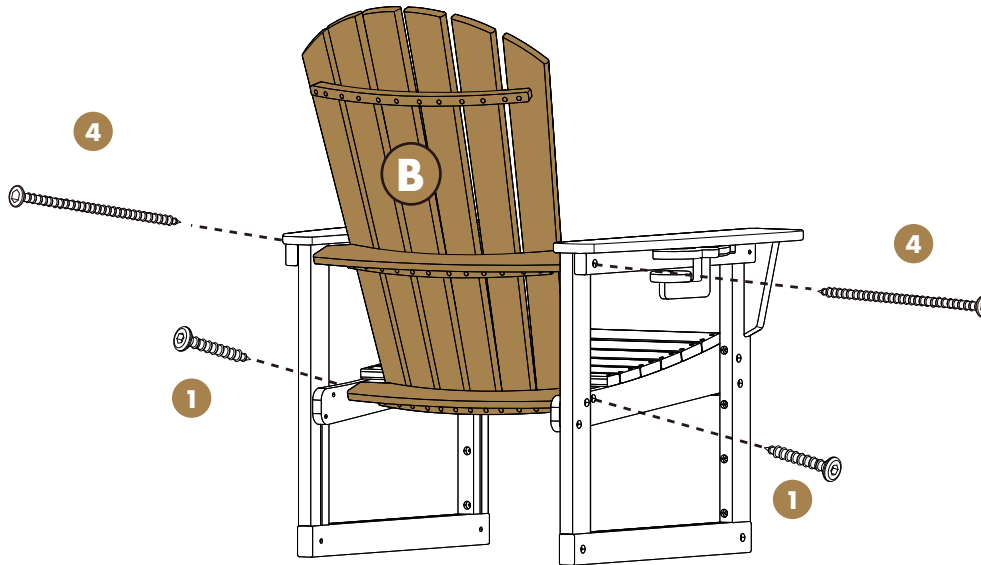
- Mirror the previous step (Step 4) on the opposite side. Secure **Part G (Left Arm)** to **Part C (Left Front Leg)** and **Part E (Left Rear Leg)**. This requires **1 - set** of the **M6 Bolt (#6)**, **M6 Washer (#8)**, and **M6 Nut (#7)** (see image below).



6

Step 6: Attach the Backrest to the Assembled Frame

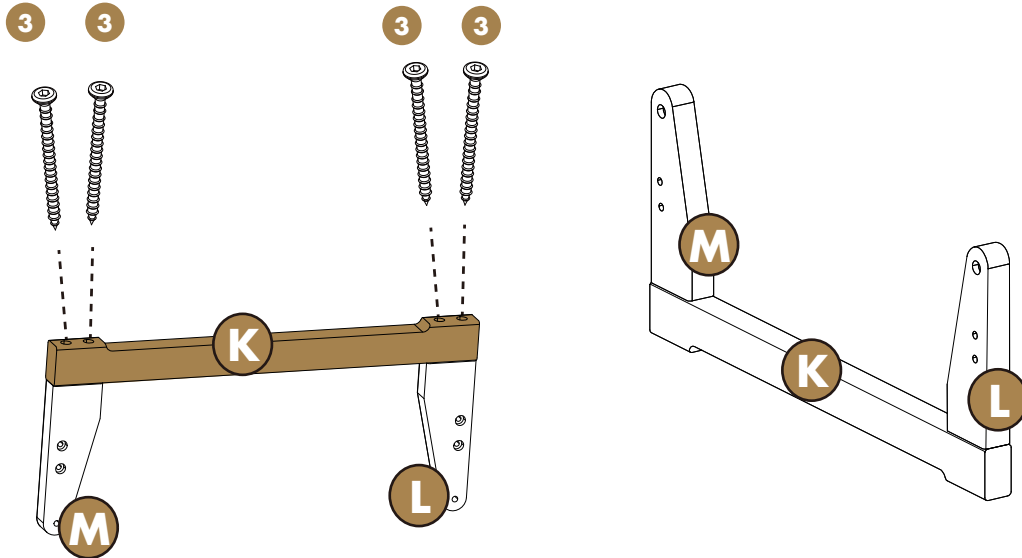
- Attach **Part B (Chair Backrest)** to the assembled frame. Use **2 - M6 Screw (#4)** and **2 - M6 Screw (#1)** to secure it (see image below).



7

Step 7: Attach the Glider Foot Base to the Glider Legs

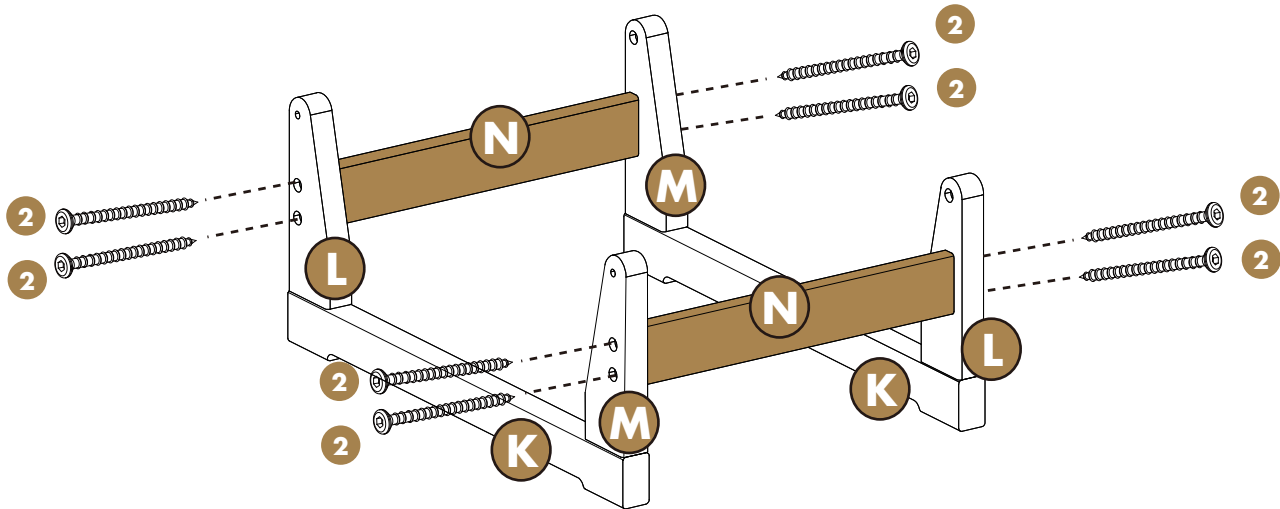
- Attach **Part K (Glider Foot Base)** to **Glider Legs (Part L and Part M)** using **4 - M6 Screw (#3)** (see image below).
- Do the same to assemble another set of the glider legs.



8

Step 8: Attach the Rails to assemble the Glider Base

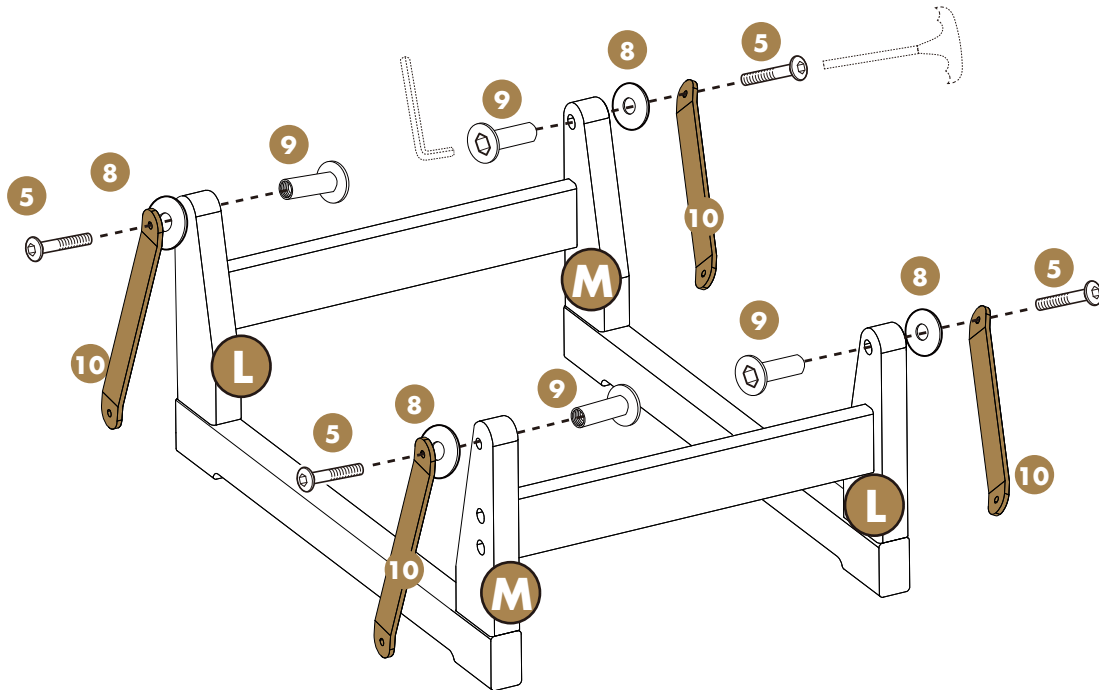
- Attach **2 - Part N (Rail)** to the **Assembled Glider Legs (Part L, Part K and Part M)**.
Use **8 - M6 Screw (#2)** to secure it (see image below).



9

Step 9: Attach the Glider Bracket to the Assembled Glider Base

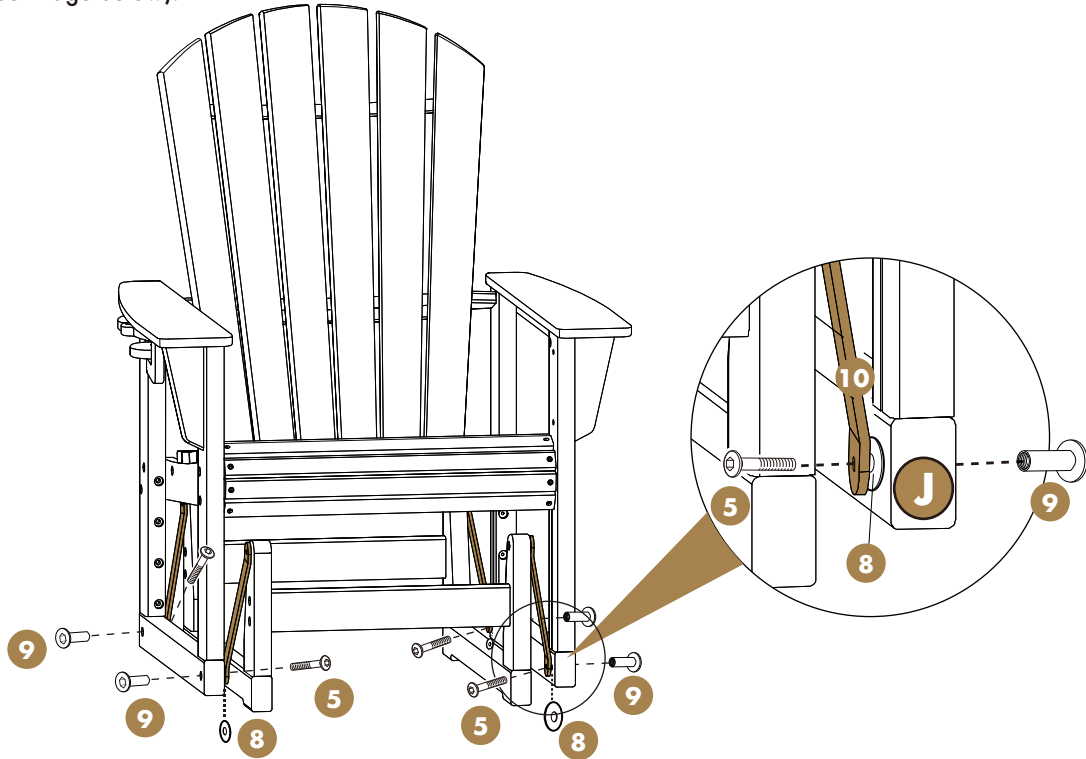
- Attach **4 - Glider Bracket (#10)** to the assembled glider base. This requires **4 - sets** of the **M6 Bolt (#5)**, **M6 Washer (#8)** and **M6 Cap Nut (#9)** to secure them (see image below).



10

Step 10: Attach the Chair to the Assembled Glider Base

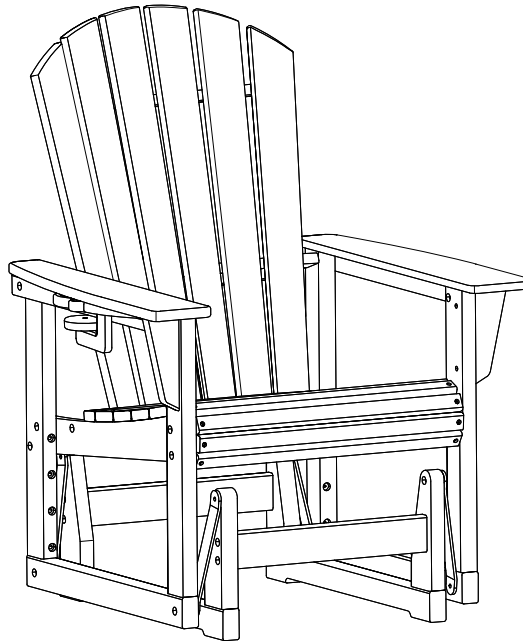
- Lift the chair legs slightly and attach **4 - Glider Bracket (#10)** to the **2 - Part J (Foot Base)**. This requires **4 - sets** of the **M6 Bolt (#5)**, **M6 Washer (#8)** and **M6 Cap Nut (#9)** to secure it (see image below).



11

Step 11: Final Tightening and Stability Check

- Tighten all previously installed screws, bolts, and nuts. Check every connection to ensure the glider is steady and stable.

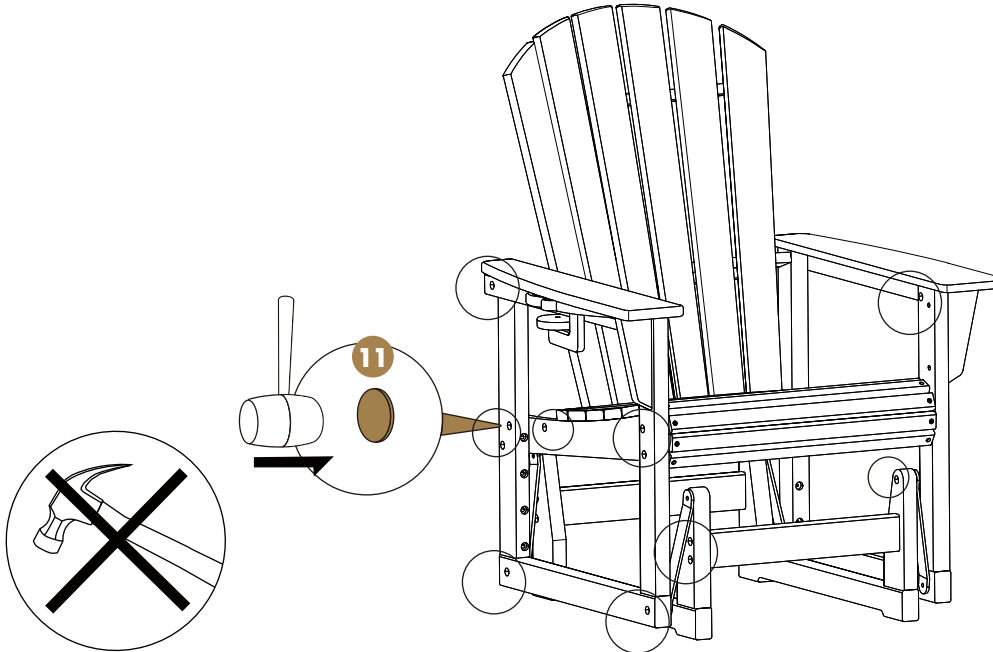


7

Step 8: Apply Screw Hole Plugs

- Cover all exposed screw holes using **30 - Screw Hole Plug (#11)**. Insert all plugs into the exposed screw holes. Gently tap each plug into place using a rubber mallet to prevent damage. Ensure each plug is fully seated and flush with the chair surface (see image below).

ATTENTION: Do not use a metal hammer as it will damage the poly lumber.



- **REGULAR CLEAN:** Mix **warm water** and **mild soap**. Use **a soft bristle brush** to gently scrub the surface and remove any dirt or stains.
- **QUICK CLEAN:** Simply wipe the furniture down using a damp cloth.

Tip: Cleaning your furniture regularly helps maintain its aesthetic appeal and extends its lifespan.

Enjoy!

Join our community and be the first to see what's new!

Follow us on socials:



Quickly register your outdoor furniture purchase to activate your warranty and enjoy peace of mind with guaranteed product protection:



Have questions or need assistance? Reach out to our dedicated team at **(909) 284-1052** or email us at **cs@seahawkdesigns.com**.