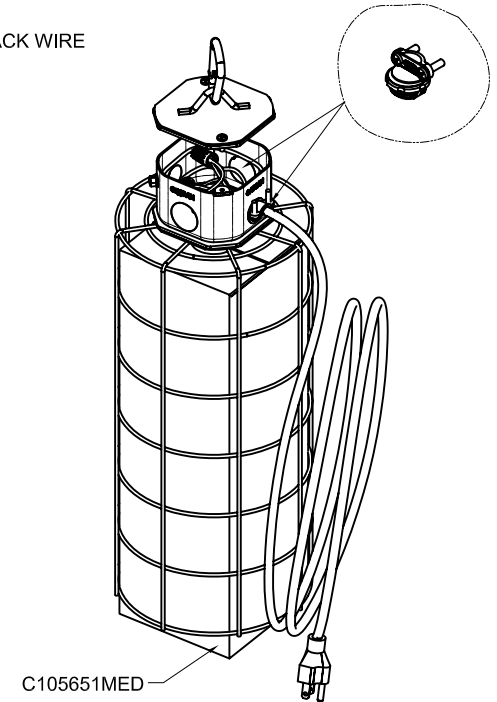
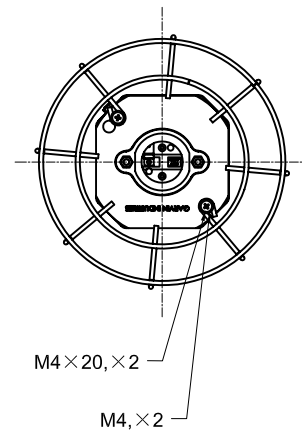
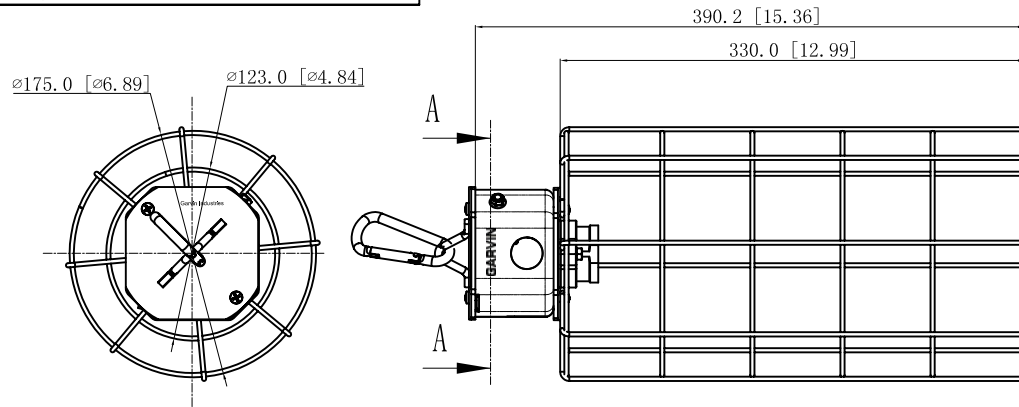
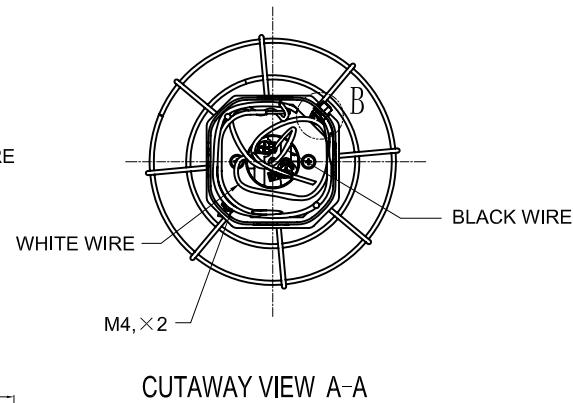
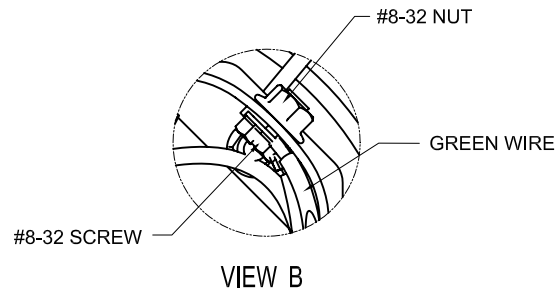


SIDES	BOTTOM
2 1/2" KNOCKOUTS	
2 1/2" KNOCKOUTS	
2 PCS M4×6 Screws Installed	
2 PCS M4×20 Screws Installed	
#8-32×1/4 Green Screws Installed	
2 PCS M4 Hex nut	
2 PCS M4 Flat washer	
#8-32 hex flange nut ,green zinc plated	
Material:Steel-0.0625"-G60 Galvanized	
Wire 6" long Bx/Mc 12GA stranded White stranded	
Wire 6" long Bx/Mc 12GA stranded Black stranded	
12AWG 8" long solid wire with both edn stripped ,green wire	
put lamps in cage	
3pcs plastic cap install	
1 pcs 7" length sjtow cord, stranded 16 AWG	



This data sheet is for reference only .GARVIN INDUSTRIES reserves the right to make changes to the design without prior notice.

DESCRIPTION
TRADE REFERENCE TERMS

STANDARD PACKING
1 PCS

<h1>GARVIN INDUSTRIES</h1>		
TITLE		
SIZE	DWG NO.	REV
A4	TL105CFW	
DATA SHEET		