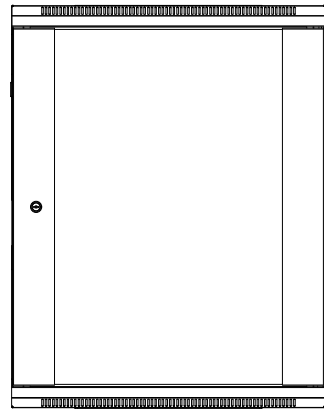
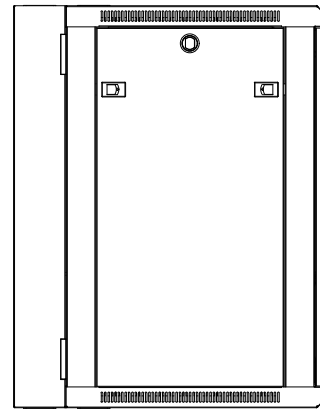


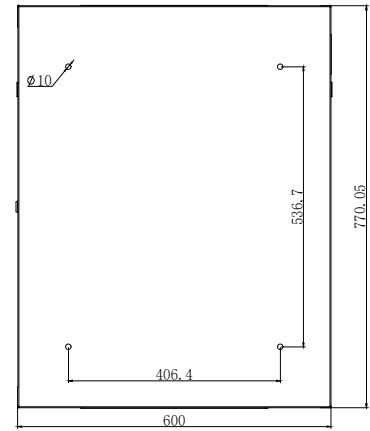
Right



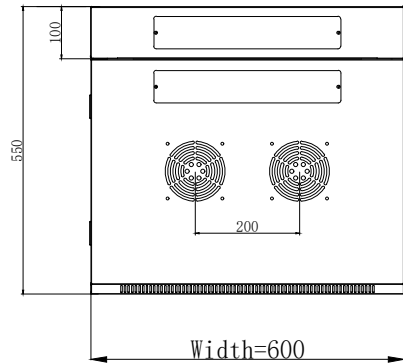
Front



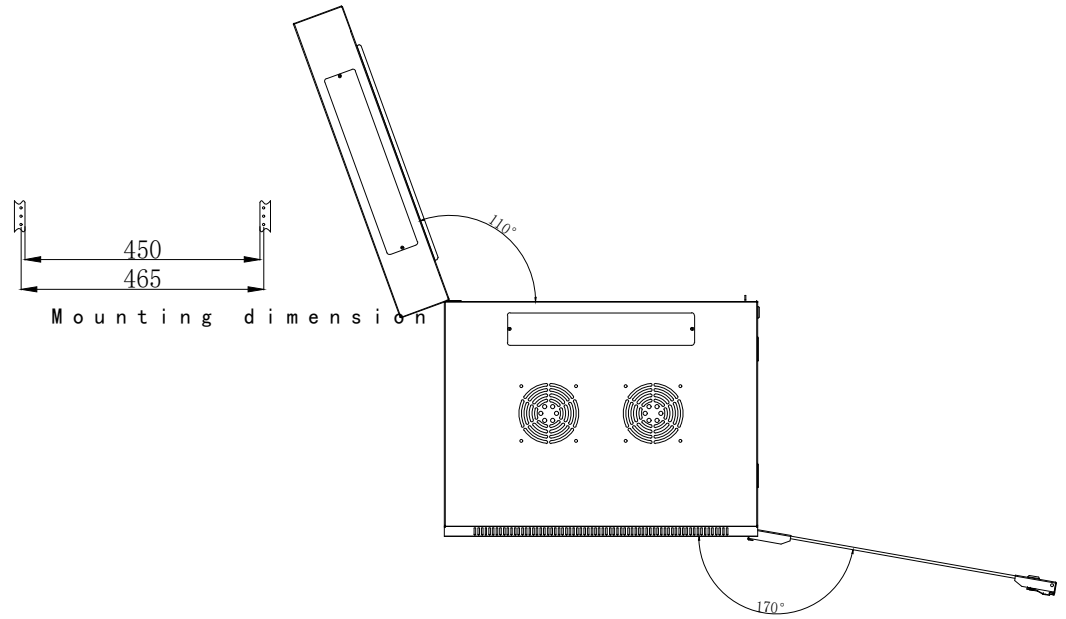
Left



Back



Top



Mounting dimension