




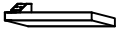


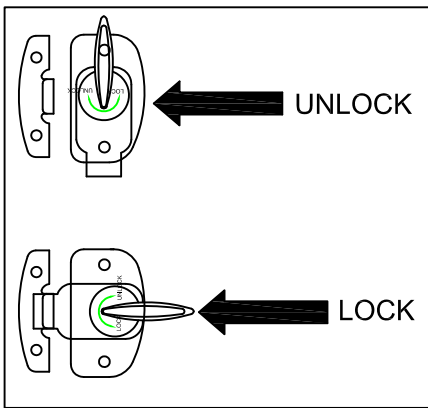


Thank you for purchasing this quality product. Be sure to unpack carefully looking for small parts which may have come loose during shipment.

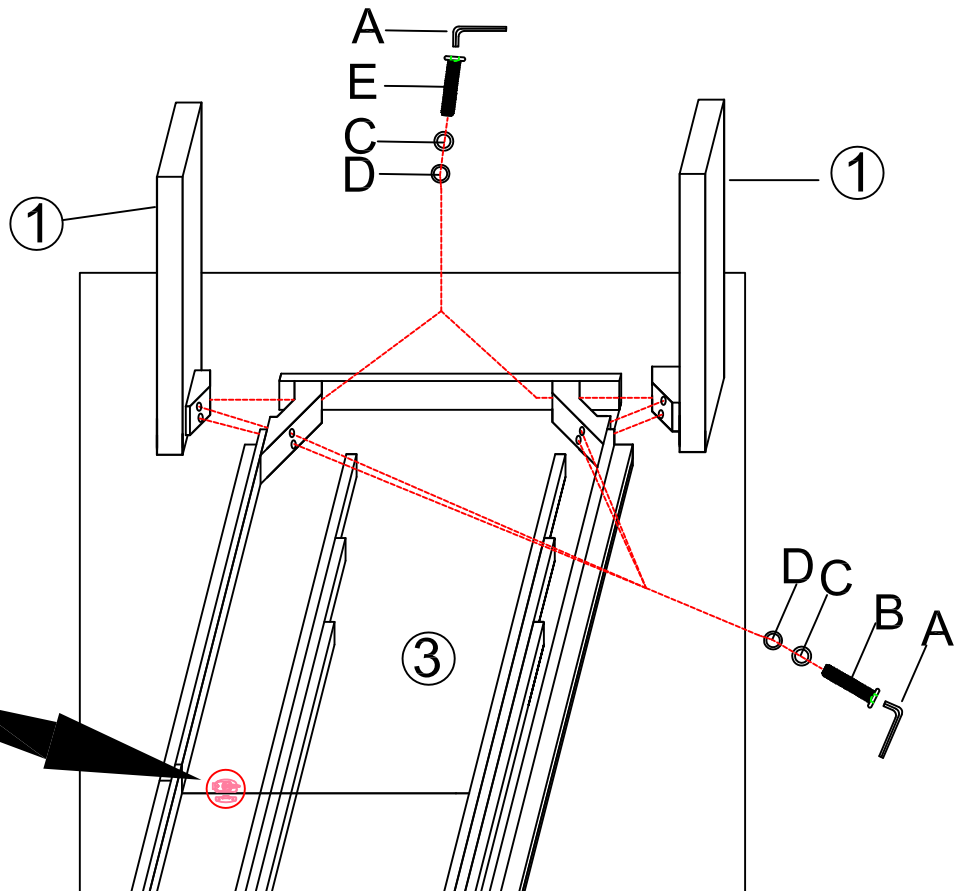
Read all instruction and study the drawing carefully before starting the assembly process.

HARDWARE PACK				
NO.	DRAWING	DESCRIPTION	SIZE	Q'TY
A		Allen Wrench	73*29*5mm	1 PC
B		Bolt	$\frac{5}{16}$ *130mm	8 PCS
C		Lock Washer	Ø5/16"	12 PCS
D		Flat Washer	Ø5/16"	12 PCS
E		Bolt	$\frac{5}{16}$ *100mm	4 PCS

PARTS LIST			
NO.	DRAWING	DESCRIPTION	Q'TY
1		Leg	4 PCS
2		Table Top	1 PC
3		Leaf	1 PC



Step 2:
Unlock the latches at the bottom of table top.

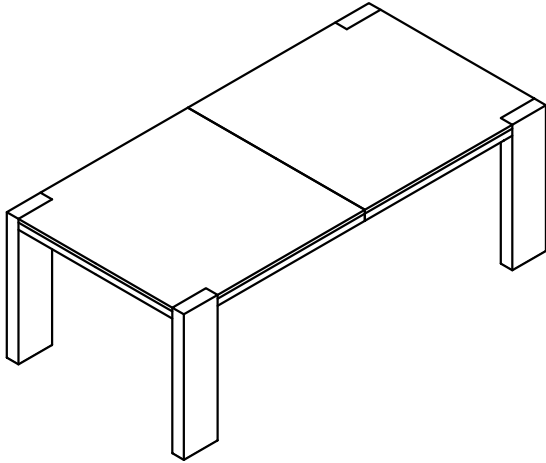


Step 1:
Attached legs (1) to table top (2).

Thank you for purchasing this quality product. Be sure to unpack carefully looking for small parts which may have come loose during shipment.

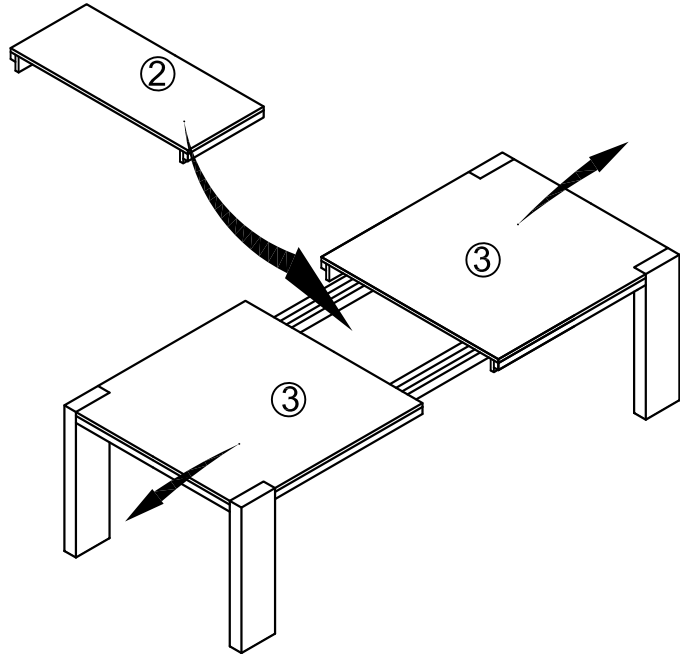
Read all instruction and study the drawing carefully before starting the assembly process.

Instruction for table leaf:

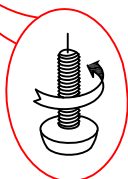
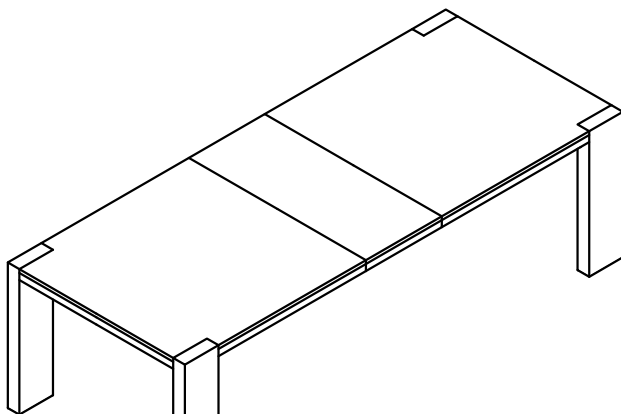


Step 3:

Pull out both ends of table top (2) as the arrow direction, place the leaf (3) between and push them together, lock the latches.



Note: Take opposite actions to remove table leaf.



Adjust leveler if needed to level table on uneven floor.