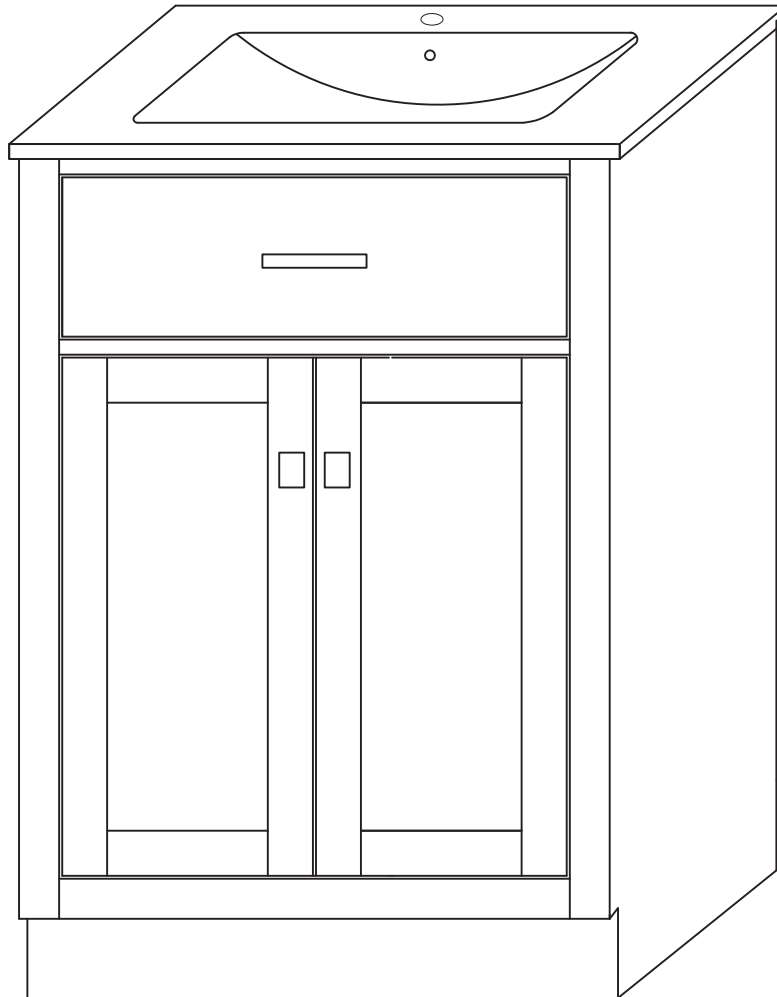


Freestanding Vanity

INSTALLATION INSTRUCTIONS

Swiss Madison®
well made forever



@SwissMadison
#WellMadeForever





PRIOR TO INSTALLATION:

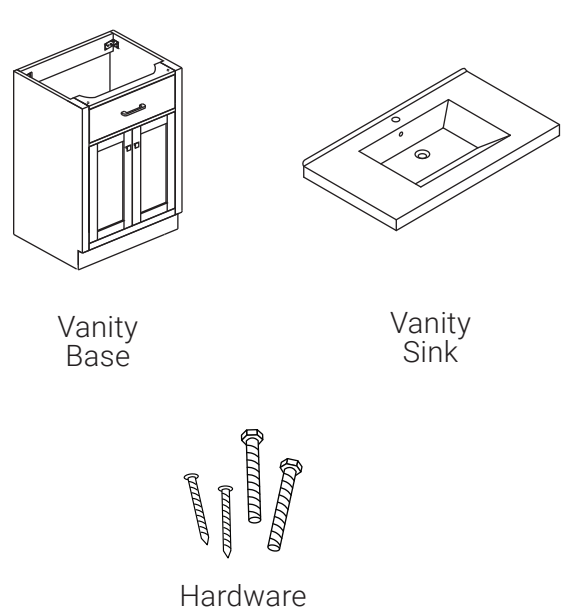
- Inspect product to ensure no damages have occurred while in shipping.
- Observe all plumbing and building codes in accordance with your state and local requirements.
- Floor must be level prior to installation of vanity.
- All dimensions are nominal! Be sure to measure your vanity prior to installation.
- The step-by-step guidelines in the installation instructions are a general reference. Should there be any discrepancies, Swiss Madison cannot be held liable. It is recommended to install all Swiss Madison products by hiring a licensed professional.
- Read installation and maintenance instructions thoroughly before installing. Be sure to use proper tools and always wear proper personal safety accessories for your protection.

If you have any questions or concerns please contact us:
 1-434-623-4766
info@swissmadison.com

SUGGESTED TOOLS & MATERIALS:

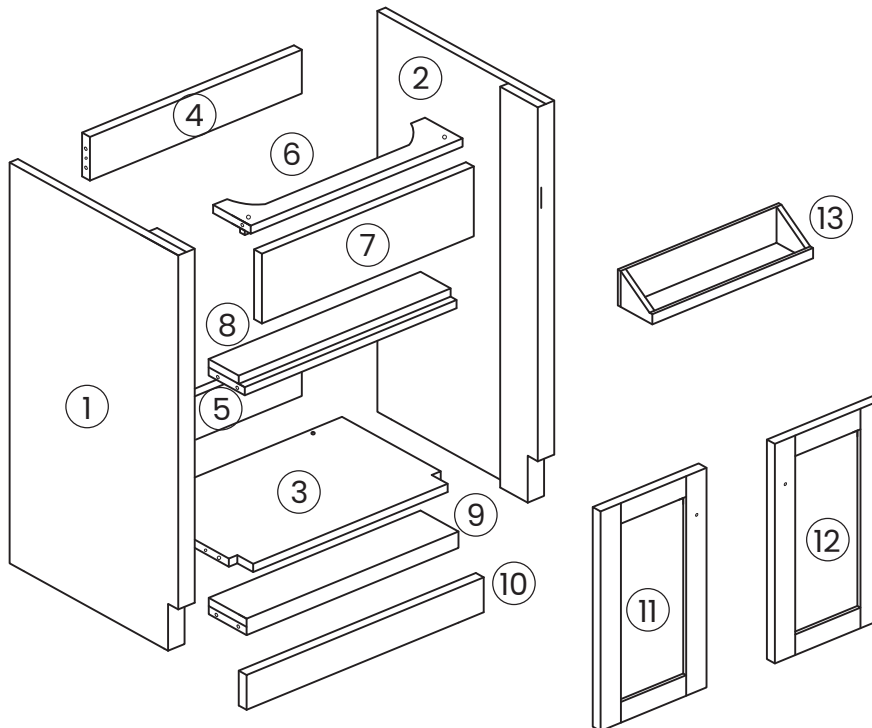
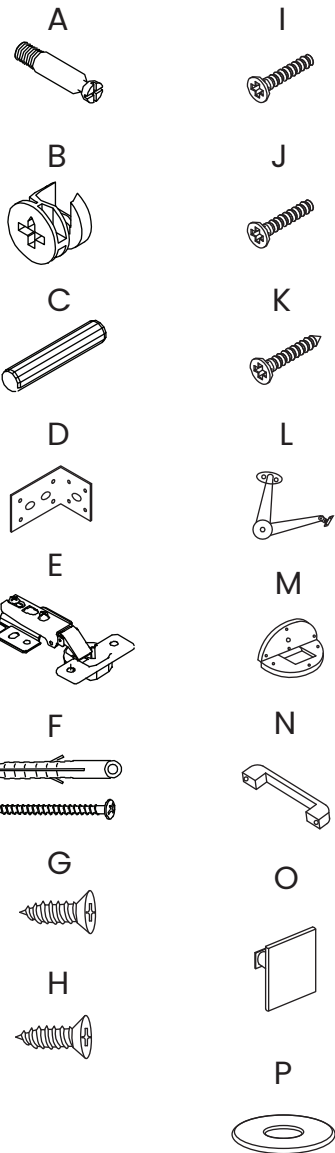


INCLUDED PARTS:



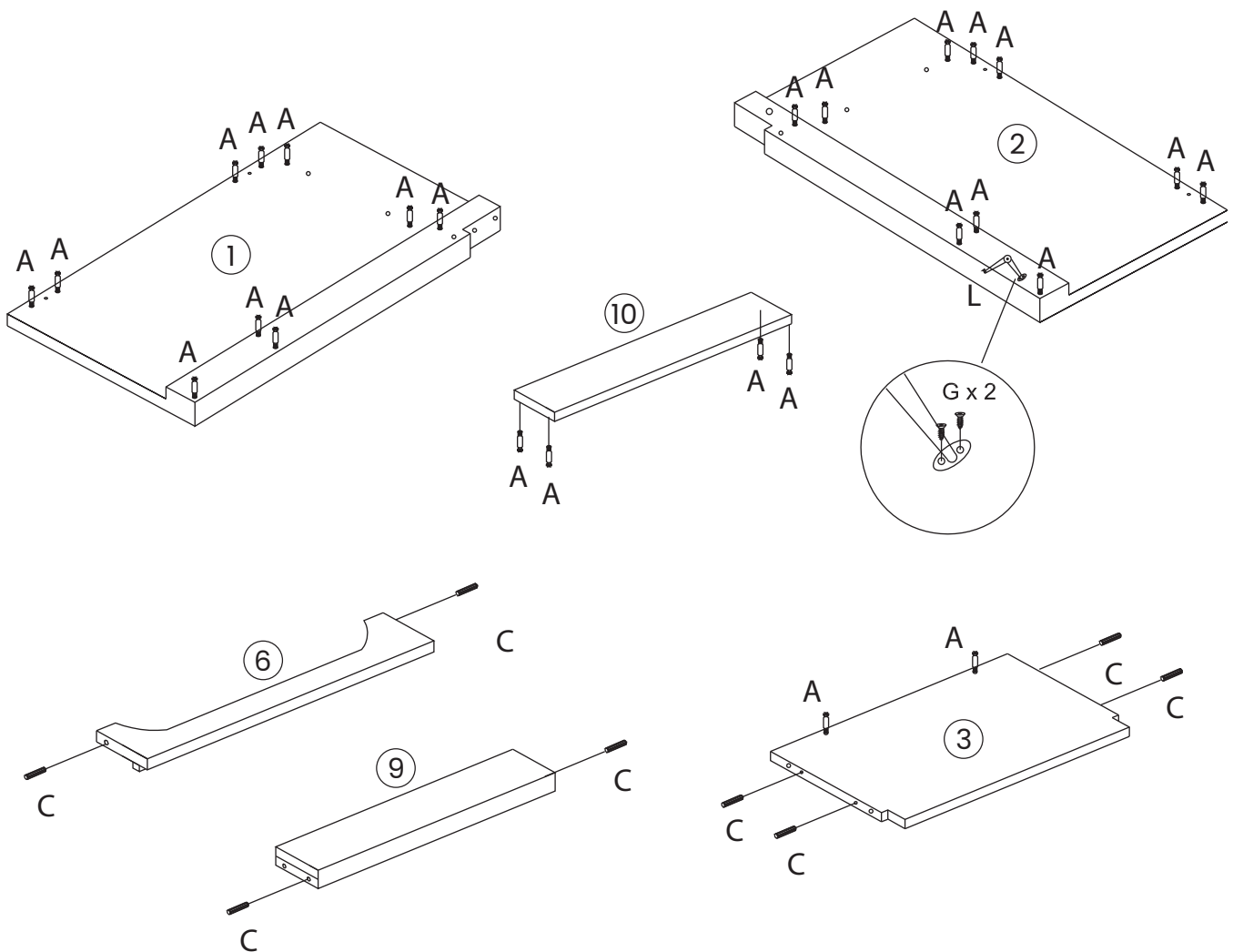
Parts for Reference:

1. Left side panel
 2. Right side panel
 3. Base panel
 4. Rear top bar
 5. Rear bottom bar
 6. Top frame
 7. Drawer panel
 8. Front plate
 9. Front support bar
 10. Front bottom bar
 11. Left door panel
 12. Right door panel
 13. Tip-out tray
- A. Cam Bolt
 - B. Cam lock
 - C. Wooden dowel
 - D. Bracket
 - E. Door hinge
 - F. Screw and plastic anchor
 - G. Screws
 - H. Screws
 - I. Screws
 - J. Screws
 - K. Screws
 - L. Tip-out hinge
 - M. Drawer hinge
 - N. Tip-out handle
 - O. Door Handle
 - P. Washers



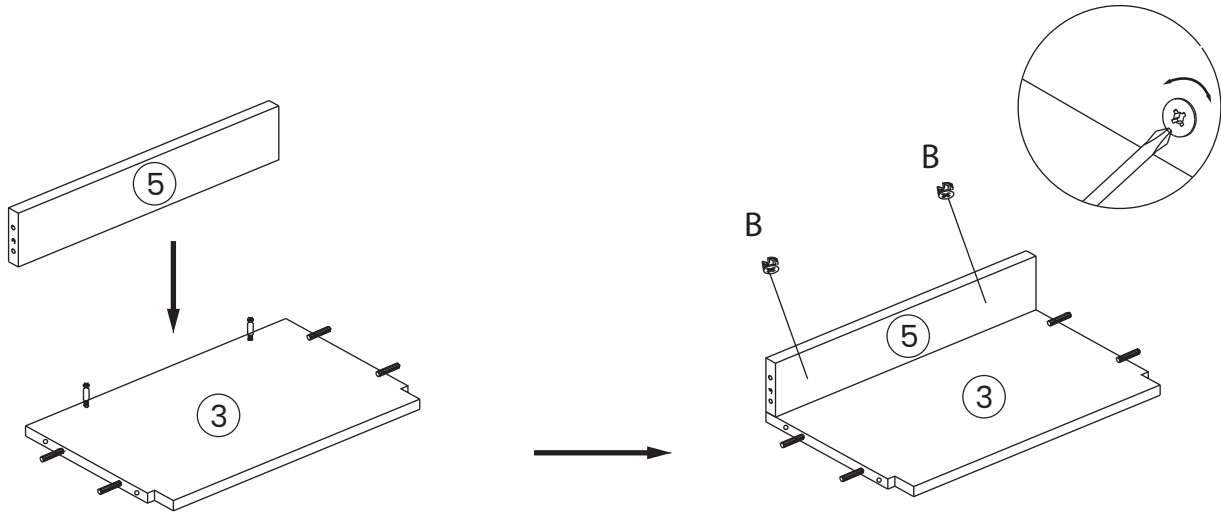
1. Prepare Frame

- Screw 10 cam bolts (A) into the predrilled holes of left side panel (1) as shown. Repeat to the right side panel (2).
- Attach the tip-out hinge (L) to the right side panel (2) as shown in the drawing. Secure into place with 2 screws (G).
- Screw 4 cam bolts (A) into the front bottom bar (10) as shown.
- Insert a wooden dowel (C) into the left and right side of the top frame (6) and the front support bar (9) as shown in the drawings.
- Insert 4 wooden dowels (C) into the base panel (3) as shown. Screw 2 cam bolts (A) into the top of the panel.



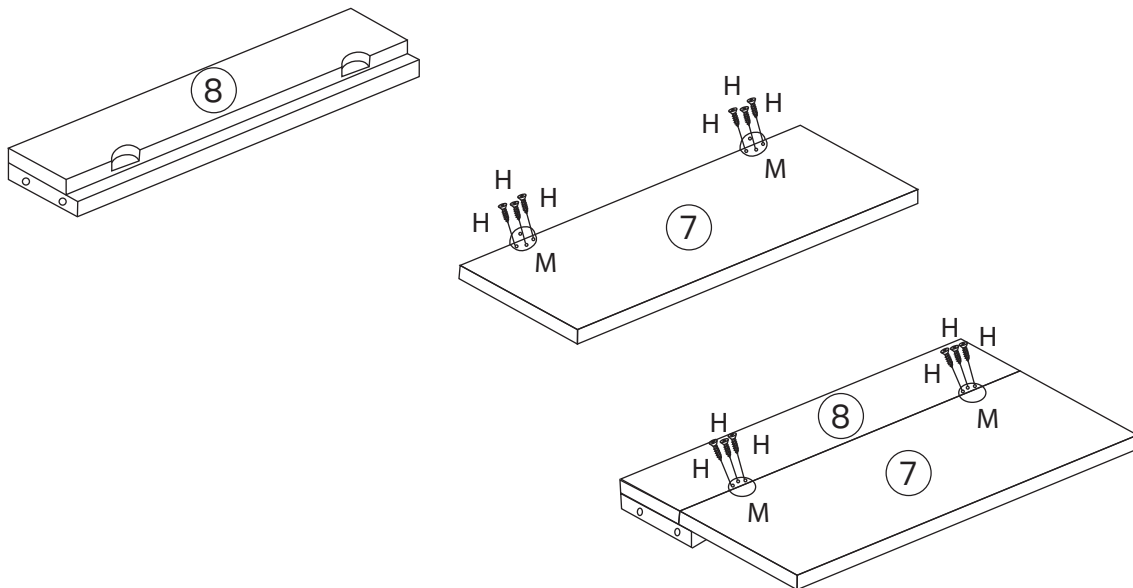
2. Assemble Base

- Connect the rear bottom bar (5) to the base panel (3) as shown. Secure into place using 2 cam locks (B).



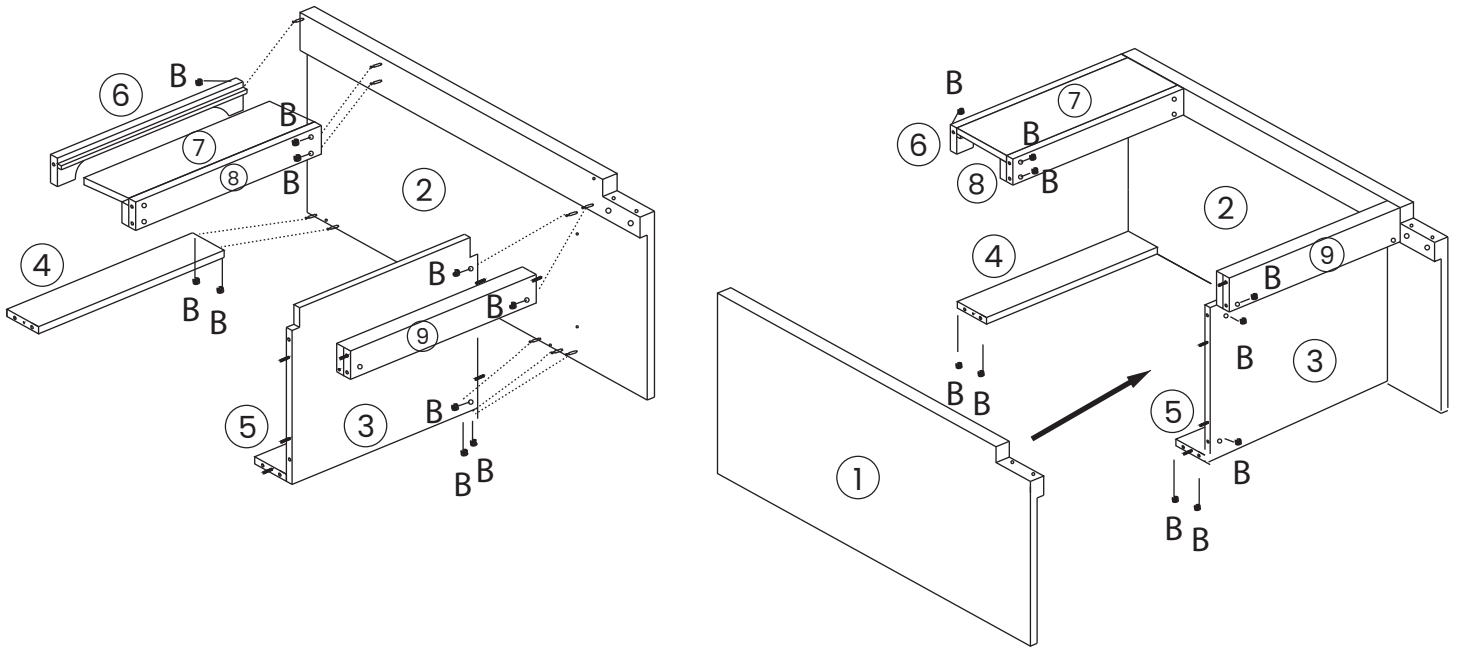
3. Assemble Cabinet

- Attach 2 drawer hinges (M) on the drawer panel (7), using 3 screws (H) per hinge.
- Connect the other side of the hinges (M) to the front plate (8) using an additional 3 screws (H) per hinge.



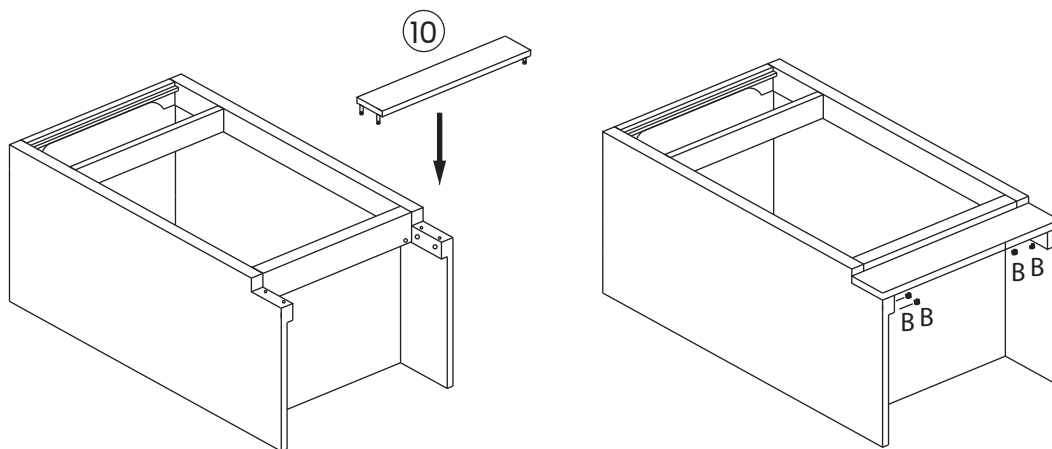
4. Assemble Cabinet Frame

- Attach the rear top bar (4) and the front plate (8) to the right side panel (2) as shown, secure using 2 cam locks (B) each. Connect the top frame (6) to the right side panel (2) using a cam lock (B) to secure.
- Connect the assembled base (3/5) to the right side panel (2) as shown, using 4 cam locks (B) to secure into place. Attach the front support bar (9) to the right side panel (2) and lock with a cam lock (B).
- Repeat the above steps to secure the left side panel (1) into place.



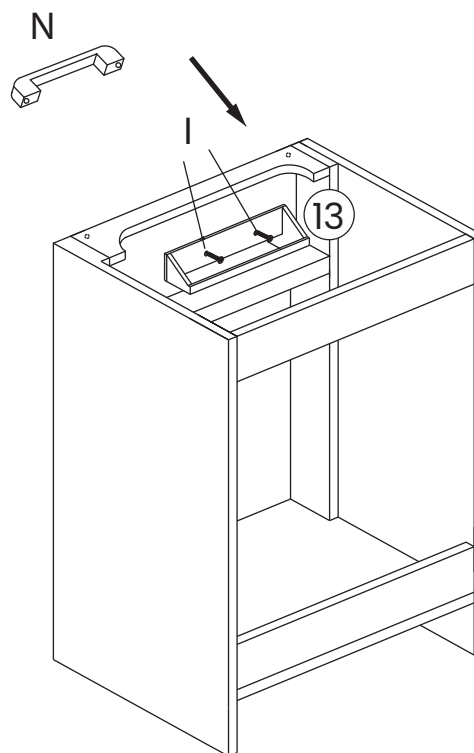
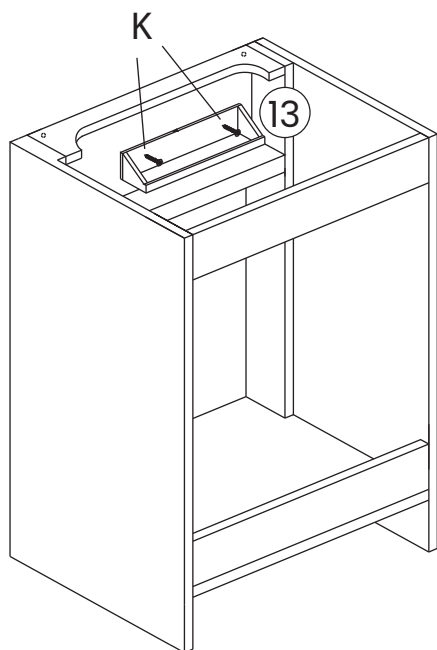
5. Complete Cabinet Body

- Attach the front bottom bar (10) to the cabinet frame as shown. Secure into place using 4 cam locks (B).



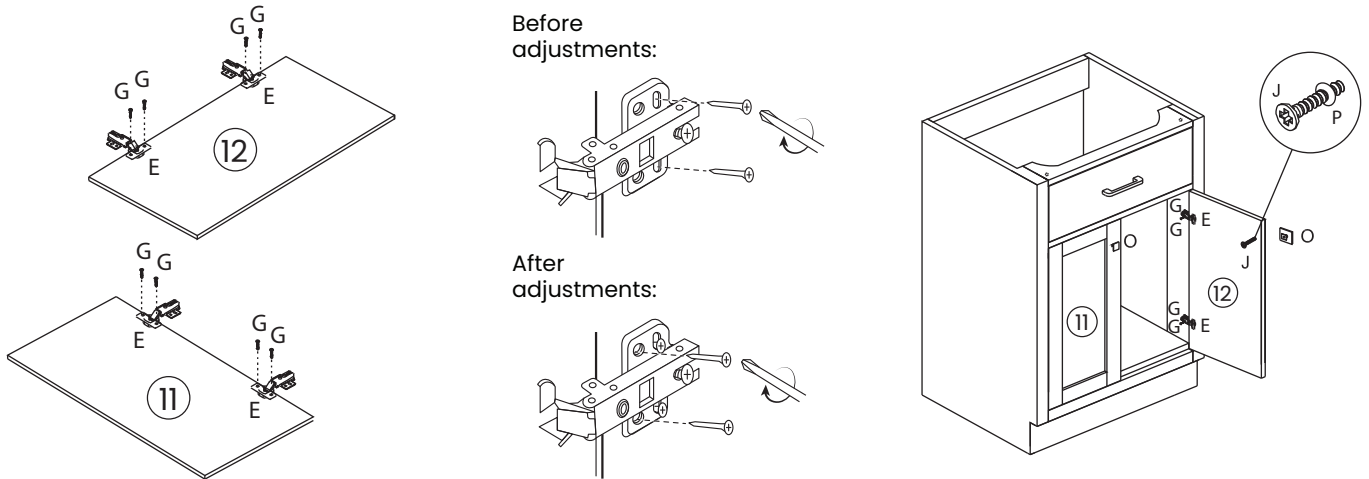
6. Assemble Cabinet Frame

- Using 2 screws (K), attach the tip-out tray (13) to the inside of the drawer panel (7).
- Line up the tip-out handle with the predrilled holes on the outside of the drawer panel (7).
- Insert a screw (I) from the inside of the cabinet thru the tip-out tray (13) and the drawer panel (7) until it is fully tightened into the tip-out handle (N). Repeat with an additional screw (I) to the other side of the tip-out handle (N).



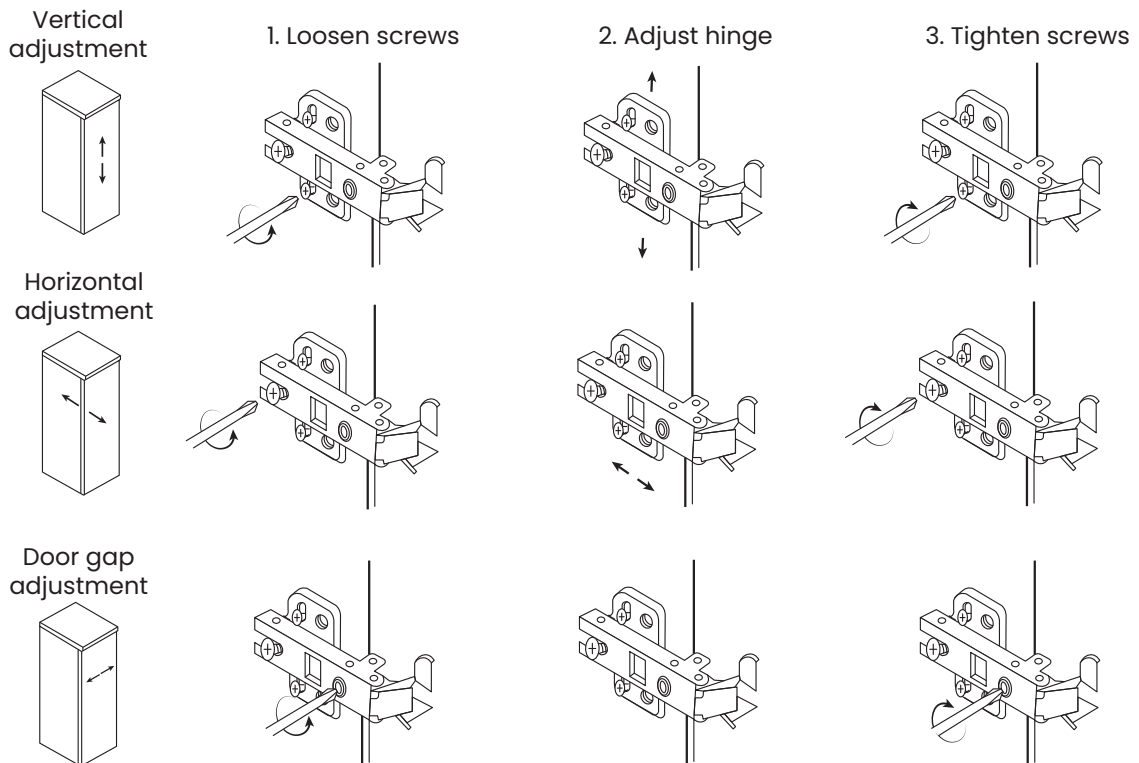
7. Install Doors

- Attach 2 door hinges (E) to the right door panel (12) as shown. Use 2 screws (G) per hinge to secure into place.
- Use an additional 2 screws (G) per hinge (E) to attach the left door panel (11) and right door panel (12) to the cabinet. If the door does not align properly, adjust the hinges (E) according to the diagrams below. Once adjustments have been completed, secure the hinges (E) using 2 screws (G) each.
- Install a door handle (O) to the left door panel (11) using a screw (J) and washer (P) as shown. Repeat this step for the right door panel (12).



Hinge/Door Adjustment and Realignment

- If adjustment or realignment is needed, follow the instructions provided in the following chart.



8. Secure Vanity to Wall

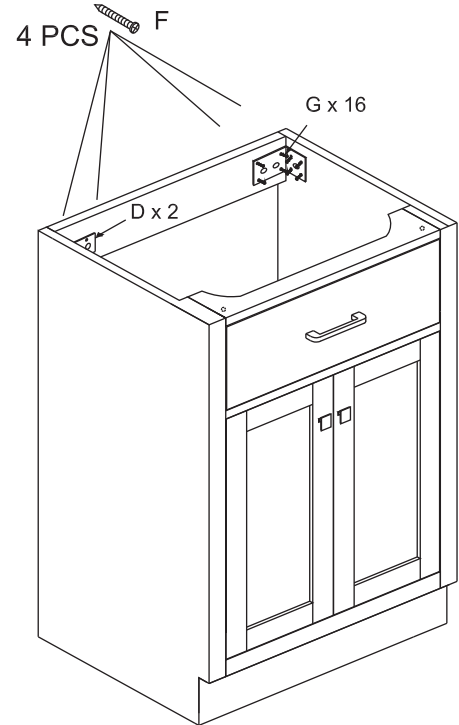
- Attach the 2 metal brackets (D) using 16 screws (G) to the rear top bar (4).
- Mark desired mounting location on wall and ensure placement is level.
Select installation option below:

Option 1: Securing to Drywall

- Position cabinet against wall in desired location.
- Using a pencil, make a mark on the wall through the holes in each bracket (D).
- Move cabinet away from the wall. Create a pilot hole in each mark on the wall, then insert the plastic anchor (F).
- Place cabinet against the wall, insert a screw (G) through the metal bracket (D) into each hole in the wall, then tighten to plastic anchors (F) to secure the vanity.

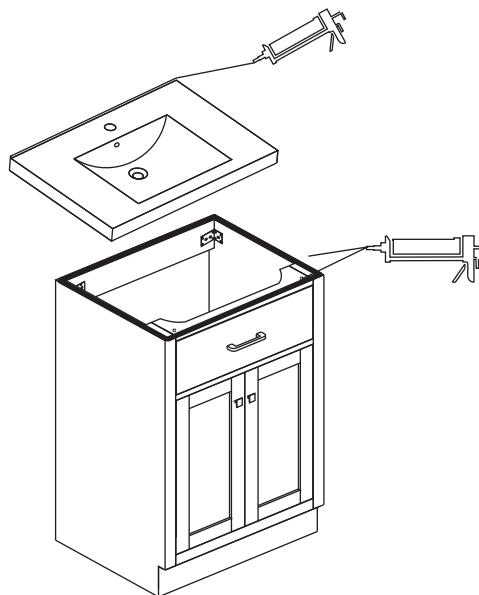
Option 2: Securing to Drywall & Wood Stud

- Position cabinet against wall in desired location, be sure desired mounting location aligns with existing wood studs.
- Insert screw (F) through the holes in the metal bracket (D), then tighten through the drywall into the wood stud. Repeat this step for the other metal bracket (D) to secure the vanity.



9. Vanity Top Installation

- Install faucet and drain according to manufacturer's installation instructions. Do not overtighten, this may cause the sink to crack.
- Set the vanity top on top of the vanity base, checking the location of the p-trap and drain.
- Remove vanity top from vanity base. Apply a thin bead of silicone around the vanity base and set the vanity top carefully in place.
- Remove excess silicone with a wet cloth.



Wait 24 hours
before use.



ONE YEAR LIMITED WARRANTY

Swiss Madison® products are made with quality materials and excellent craftsmanship to provide our customers with beautiful, durable, long-lasting products. Should there be any defects in materials or craftsmanship under regular use that are discovered within the first year of installation, Swiss Madison® will provide replacement parts at no charge, or at its discretion, replace any product or part of the product that is deemed defective, under normal installation, use, service or maintenance. This warranty applies only to the original purchaser. Proof of purchase will be required in the instance of a claim.

Swiss Madison® recommends all installations of Swiss Madison® products to be conducted by a licensed, professional plumber or contractor. Swiss Madison® will not be held responsible for any damage or product failure due to improper installation, misuse, or failure to utilize a licensed professional for installation. Swiss Madison® is not responsible for any installation or removal costs.

This One Year Limited Warranty Will Be Voided If:


- The installation recommendations were not followed by the installer
- The product has been moved from its initial place of installation
- The product has in any way been modified from its packaged state
- The product has been subjected to improper maintenance, abuse, misuse, excessive use of chemicals, accidents, or other damages, etc.

Swiss Madison® makes no implication that its products comply with any local building or plumbing codes. It is the consumer's responsibility and obligation to determine local code compliance prior to and during installation. This warranty extends only to the original purchaser and first consumer.

Swiss Madison® is not responsible for any special, incidental or consequential damages associated with the installation, replacement, return or use of the original purchaser's product. This includes, but is not limited to: freight costs, labor, travel time, lost profit, home damages and other contingent liabilities and costs (including, without limitation, costs associated with 'professionals' or 'experts', investigations, audits, analyses, attorneys and any other professional/hired services).

The Swiss Madison® warranty is a comprehensive and explicit limit of liability. All items not disclosed within the warranty are not addressable within the responsibility of Swiss Madison®. Certain states have variances regarding implied warranties; in those situations, we remain fully compliant.

**If you have any questions or concerns, please contact us directly at
1-434-MADISON (623-4766)**

 **WARNING:** Contents of your order may contain sharp and possibly other harmful pieces and may cause hazard to children and adults. Swiss Madison® is not responsible in any way for personal damages.