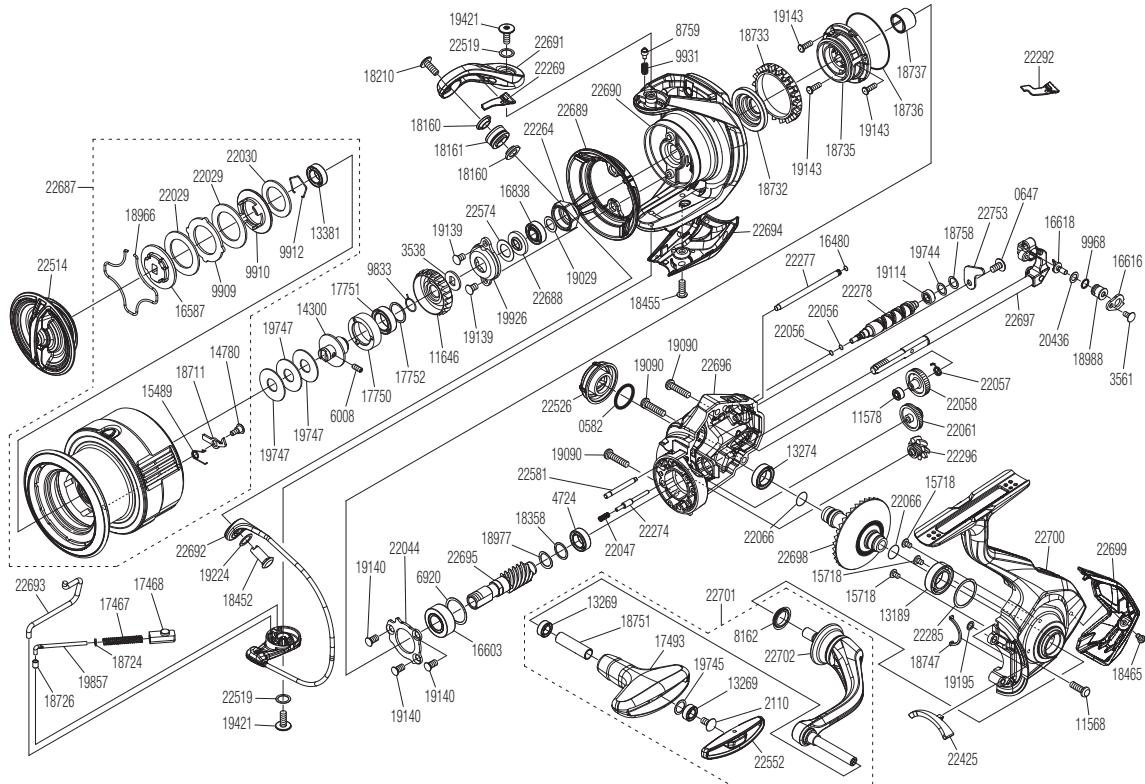


SHIMANO

Vanquish

VQ-4000XG



Please note that the number of adjusting washers may not always be the same as shown in the exploded views.

(51SF60EH45X)

Please note that your actions take full responsibility when you take it apart.

#	Part No.	Description	#	Part No.	Description	#	Part No.	Description
0582	108WH	O Ring	18452	10EAP	Line Roller Support	22274	10SEC	Idle Gear Shaft
0647	10QG5	Screw	18455	10DT7	Screw	22277	10SQ5	Oscillating Guide A
2110	103E9	Screw	18465	10EF0	Screw	22278	10SQ6	Worm Shaft
3538	103NX	Spool Support A	18711	10TJX	Drag Click	22285	100W9	Washer
3561	10MT4	Screw	18724	101D9	Spring Guide A Support Collar	22296	10SQA	Idle Gear (Large)
4724	104JQ	Ball Bearing	18726	10DKC	Bail Spring Guide A Bush	22425	10QWW	Bail Trip Strike
6008	10PN2	Set Screw	18732	101D5	Rotor Ring	22514	13XDJ	Drag Knob Assembly
6920	107JT	Washer	18733	10DK7	Friction Ring	22519	13XDP	Washer
8162	10PV4	Handle Shaft Seal	18735	10S2L	Roller Clutch Assembly	22526	13XDW	Handle Screw Cap Assembly
8759	106UX	Click Pin	18736	10DKD	Roller Clutch Case Seal	22552	13XEK	Handle Knob Seal
9833	107V2	Ratchet Spring	18737	10DJY	Roller Clutch Inner	22574	13XF6	Washer
9909	10BCP	Eared Washer	18747	10DKA	Flange Water Proof	22581	13XY6	Idle Gear C Shaft
9910	10B9D	Key Washer A	18751	1022F	Handle Knob Shaft Pipe	22687	13YF3	Spool Assembly
9912	10GEW	Bearing Retainer	18759	10TK0	Washer	22688	13YF4	Bearing Water Proof
9931	10CGZ	Click Spring	18966	1006X	Retainer	22689	13YF5	Rotor Brm
9968	108W9	O Ring	18977	10053	Washer	22690	13YF6	Rotor Assembly
11568	10M2C	Screw	18988	1005H	Oscillating Slider Bushing	22691	13YF7	Bail Arm
11578	10PC0	Ball Bearing	19029	101M1	Washer	22692	13YF8	Bail Assembly
11646	107PS	Drag Click Ratchet	19090	100YN	Screw	22693	13YF9	Bail Trip Lever
13189	104PT	Ball Bearing	19114	10TH6	Bushing	22694	13YFA	Bail Hold Support Guard
13269	104VX	Ball Bearing	19139	101TG	Screw	22695	13YFB	Pinion Gear
13274	104PP	Ball Bearing	19140	10TGX	Screw	22696	13YFC	Body
13381	104JT	Ball Bearing	19143	101LH	Screw	22697	13YFD	Main Shaft Assembly
14300	10LTS	Spool Bearing Bushing	19195	10GA7	Washer	22698	13YFE	Drive Gear
14780	10A6F	Screw	19224	1002S	Washer	22699	13YFF	Rear Protector
15489	10BQE	Drag Click Spring	19421	10RFW	Screw	22700	13YFG	Side Cover Assembly
15718	1055G	Screw	19744	100XZ	Washer	22701	13YFH	Handle Assembly
16480	10JAB	O Ring	19745	104FH	Washer	22702	13YFJ	Handle Shank Assembly
16587	10QB5	Key Washer B	19747	101AV	Spool Washer	22753	13YYE	Worm Shaft Retainer
16603	104VF	Ball Bearing	19857	10SAN	Bail Spring Guide A			
16616	10HAH	Oscillating Pawl Cover	19926	1076N	Retainer			
16618	106VM	Oscillating Pawl	20436	100CW	Washer			
16838	103B3	Main Shaft Spacer Assembly	22029	10R5H	Drag Washer A			
17467	10R2P	Bail Spring	22030	10R4W	Drag Washer B			
17468	10R2E	Bail Spring Guide B	22044	10R53	Bearing Retainer			
17493	10R38	Handle Knob	22047	10R5T	Idle Gear Spring			
17750	10TQH	Bearing Spacer	22056	10092	O Ring			
17751	10EX8	Ball Bearing	22057	10R5N	Idle Gear Spring			
17752	10GHN	Washer	22058	10R5L	Idle Gear			
18160	1020L	Bearing Spacer	22061	10R4Q	Idle Gear C			
18161	101KE	Line Roller Set	22066	1009S	O Ring			
18210	10TLJ	Screw	22264	10SQ2	Rotor Nut			
18358	10GD8	Spacer	22269	10SQ4	Bail Arm Fin	22292	10SE2	Bail Arm Fin (accessory)