



Project \_\_\_\_\_  
 Item # \_\_\_\_\_  
 Quantity \_\_\_\_\_

# KATTEX™

## Heavy-Duty Cast Iron Meat Grinder

Model: MG-10

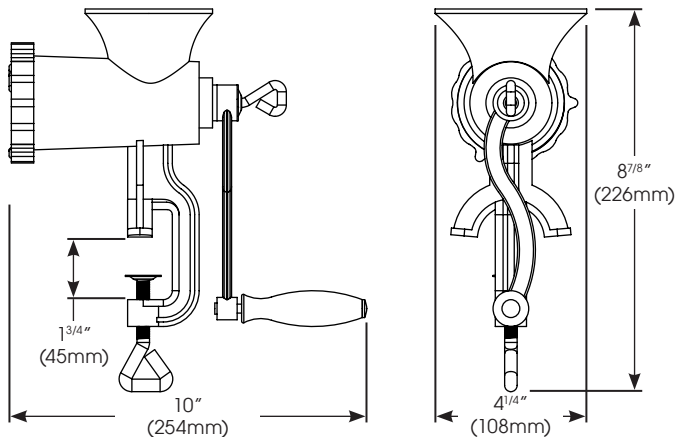
Winco manual meat grinders are economical and reliable tools for all your meat processing needs. Make your own sausages, burgers, or other processed ground meat favorites.

### Standard Features

- ◆ Large 3" by 4" (76.2x101.6mm) hopper opening
- ◆ Heavy-duty cast iron construction with food safe tinned coating
- ◆ Durable cast iron grinding knife
- ◆ Easy cranking handle with heavy-duty nylon bearing for long life
- ◆ Two (2) grinding plates: medium grind 3/16"(4mm), coarse grind 5/16"(8mm)
- ◆ Sausage stuffing kit with three (3) stuffing tubes: 9/16"(14 mm), 3/4"(19 mm), & 15/16"(24 mm), stuffing star, and flange
- ◆ Clamp base easily secures to work tables or countertop
- ◆ Easy to clean and assemble (hand wash, not dishwasher safe)
- ◆ One year parts and labor warranty



MG-10



### Options & Accessories

MG-1018	Grinder Plate, 1/8" (3mm)
MG-10316	Grinder Plate, 3/16" (4mm)
MG-1014	Grinder Plate, 1/4" (6mm)
MG-10516	Grinder Plate, 5/16" (8mm)
MG-1038	Grinder Plate, 3/8" (10mm)
MG-10K	Grinder Knife
MG-10SSK	Replacement Sausage Stuffing Tubes: 1 Flange & 3 Tubes
ALXP-Series	1/2 Size Sheet Pan
DRG-8P	Adjustable Shaker Dredge
WWP-Series	Wood Spoons
CBN-Series	StatikBoard™ Cutting Boards
KWP-102	Butcher Knife
HP-4	Hamburger Press
HBP-3	Burger Patty Press

MODEL	DESCRIPTION	OVERALL DIMENSIONS			BOX DIMENSIONS			SHIP WEIGHT
		LENGTH	DEPTH	HEIGHT	LENGTH	DEPTH	HEIGHT	
MG-10	Meat Grinder	10" (254mm)	4-1/4" (108mm)	8-7/8" (226mm)	6-13/16" (172mm)	4-1/2" (114mm)	11-1/16" (280mm)	5.51 lbs (2.5 kg)

### Product Specs

#### Heavy-Duty Cast Iron Meat Grinder

The Heavy-Duty Cast Iron Meat Grinder model MG-10 as manufactured by Winco®, Lodi, NJ 07644.

The Heavy-Duty Cast Iron Meat Grinder shall be constructed of heavy-duty cast iron construction with food safe tinned coating. Units feature a large 3" x 4" (76.2 x 101.6mm) hopper opening, easy cranking handle with heavy-duty nylon bearing for long life, and clamp base to easily secure to work tables or countertop. All units shall include two (2) grinding plates: medium grind 3/16"(4mm) and coarse grind 5/16"(8mm) with durable cast iron grinding knife as well as a sausage stuffing kit with three (3) stuffing tubes: 9/16"(14 mm), 3/4"(19 mm), & 15/16"(24 mm), stuffing star, and flange. Units are easy to clean and assemble (hand wash, not dishwasher safe).

One year parts and labor warranty.

#### For California Customers

**WARNING:** Cancer and Reproductive Harm - [www.P65Warnings.ca.gov](http://www.P65Warnings.ca.gov)

**New Jersey:** 888-946-2682  
**Florida:** 786-536-4656  
**California:** 888-946-2652



[equipsales@wincous.com](mailto:equipsales@wincous.com)



[www.wincous.com](http://www.wincous.com)



• Lodi, New Jersey  
 • Miami, Florida  
 • La Mirada, California