



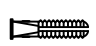
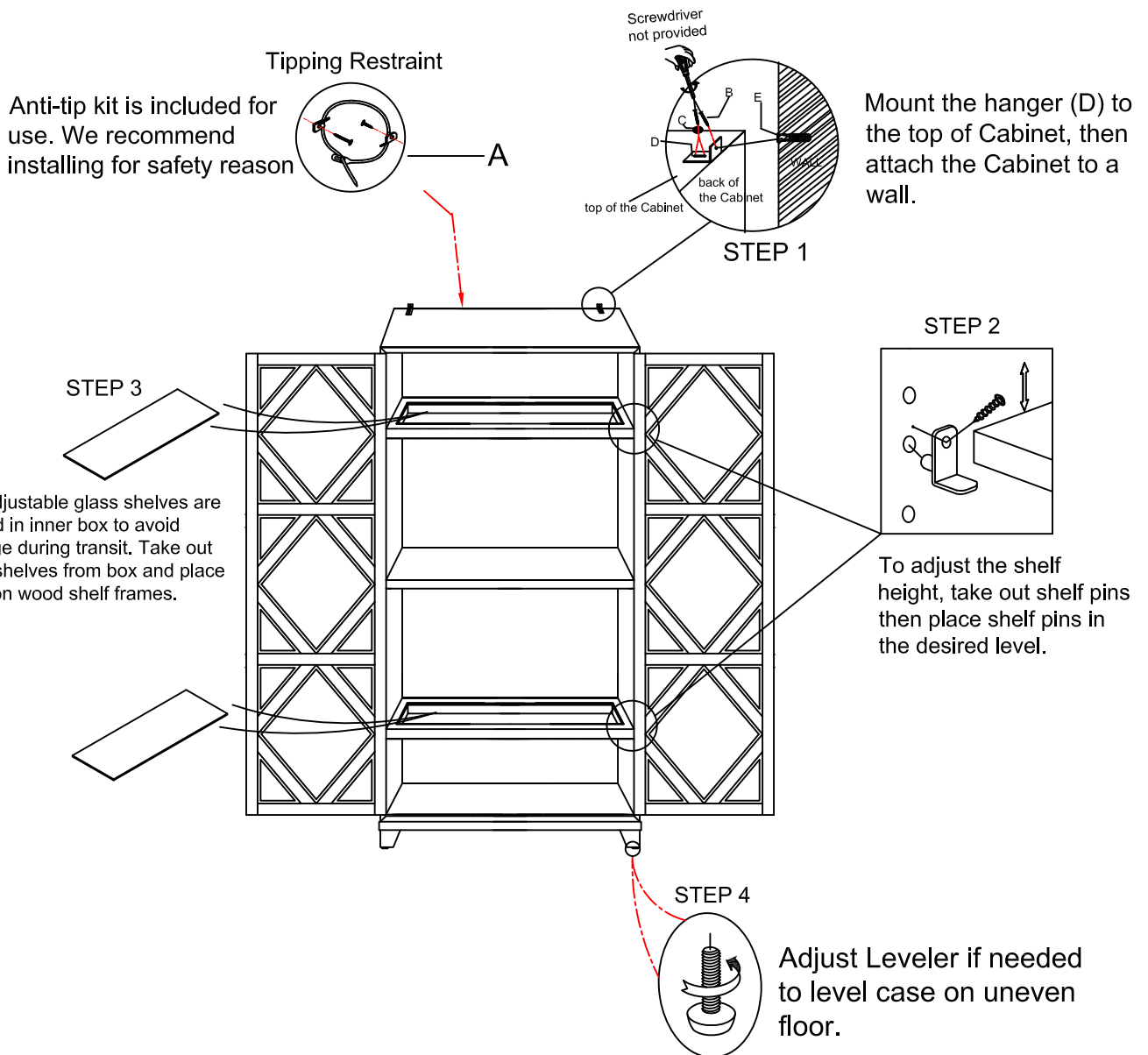


ASSEMBLY INSTRUCTION

ITEM: 6700-75906-98 Display Cabinet

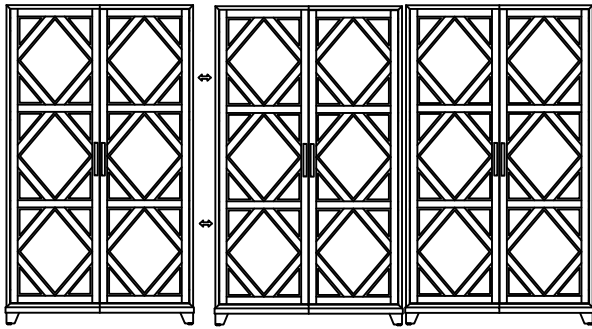
Thank you for purchasing this quality product. Be sure to unpack carefully looking for small parts which may have come loose during shipment. Read all instruction and study the drawing carefully before starting the assembly process.

HARDWARE LIST				
NO.	DRAWING	DESCRIPTION	SIZE	Q'TY
A		Anti - Tip Kit		1PC
B		Screw	1 1/4"	6PCS
C		Flat Washer	1/4"	4PCS
D		Hanger	75*30*38mm	2PCS
E		Plastic Anchor	∅ 9*30mm	2PCS



Note: Anti-tip kit restraint is provided. Please follow the instructions enclosed with the pack.

Thank you for purchasing this quality product. Be sure to unpack carefully looking for small parts which may have come loose during shipment. Read all instruction and study the drawing carefully before starting the assembly process.



- A — male connector (of the power switch)
- B — female connector (of the power switch)
- C — male connector (of the puck light)
- D — female connector (of the puck light)
- E — male connector (of the power wire)
- F — female connector (of the power wire)

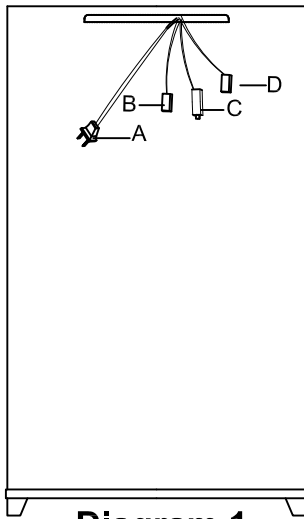


Diagram 1

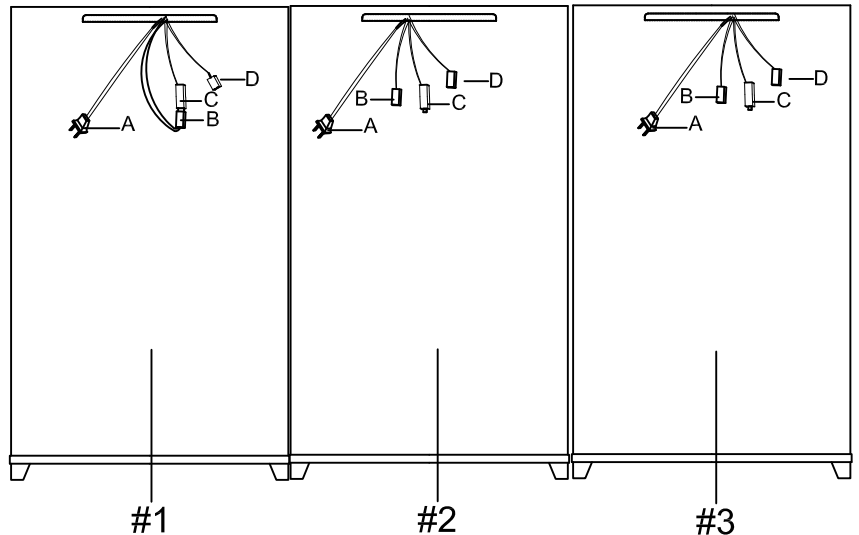


Diagram 2

Assembly Steps

1. When each piece of cabinet is used alone, attach male connector of the power switch (A) to a wall plug. (See Diagram 1)
2. Touch dimmer is at the inside of right post.
3. If you want to bunch two or more cabinets together, place them all side by side in a desired location.
4. Leave male connector of the puck light (C) and female connector of power switch (B) for the first cabinet (#1) as it is. Keep male connector of the puck light (C) and female connector of power switch (B) off for the rest cabinets (#2, #3, and so on). (See Diagram 2)

Thank you for purchasing this quality product. Be sure to unpack carefully looking for small parts which may have come loose during shipment.
Read all instruction and study the drawing carefully before starting the assembly process.

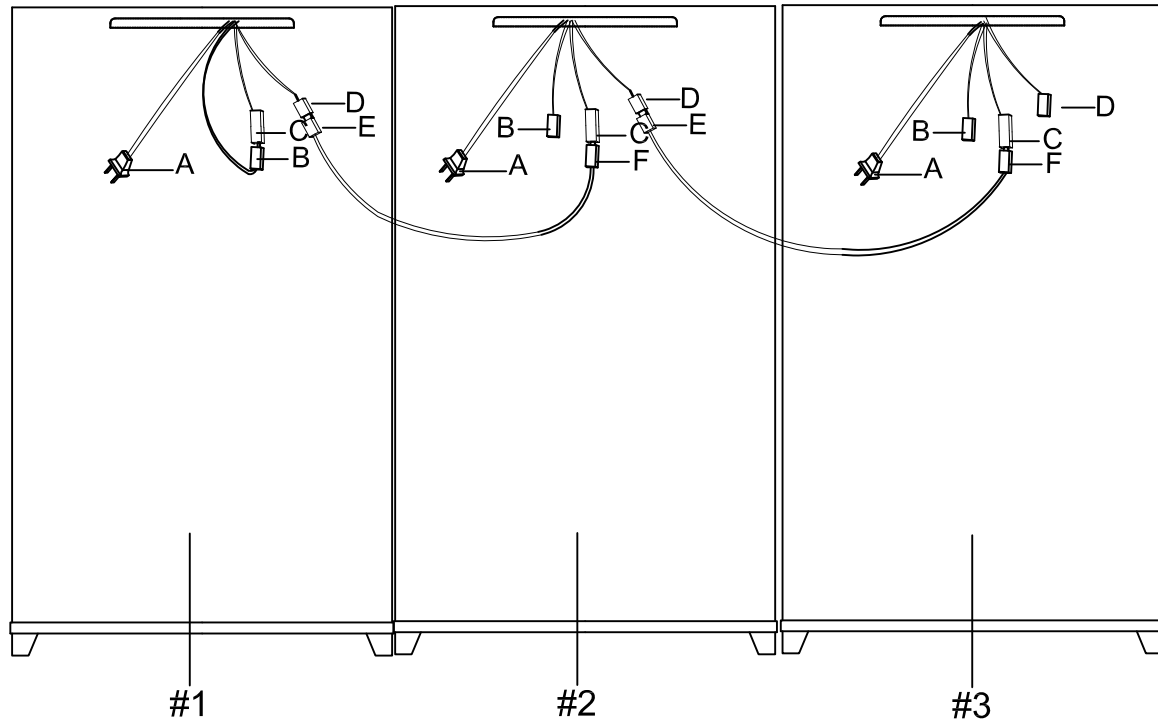


Diagram 3

Assembly Steps

5. Connect female connector of the puck light (D) (#1 cabinet) with male connector of power wire (E), then have female connector of power wire (F) connected to male connector of the puck light (C) (the #2 cabinet). (See Diagram 3)
6. Repeat step 5 for the 3rd cabinet and the rest of ones when more than two are bunched together till each one is connected.
7. Plug in male connector of power switch (A) (#1 cabinet).
8. Touch the dimmer of the #1 cabinet, all puck lights connecting together will be on at the same time.