

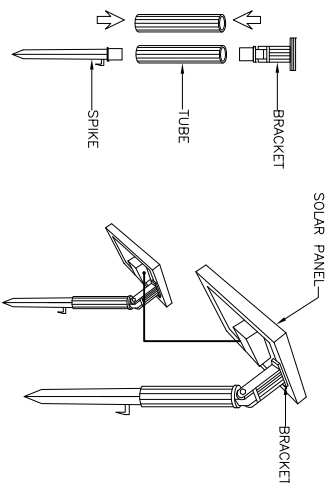
MODEL: SLP109
1500LPH SOLAR PUMP KIT
ASSEMBLY INSTRUCTIONS
READ AND SAVE THESE INSTRUCTIONS

UNPACK THE PACKAGE
YOU SHOULD HAVE RECEIVED THE FOLLOWING PARTS:

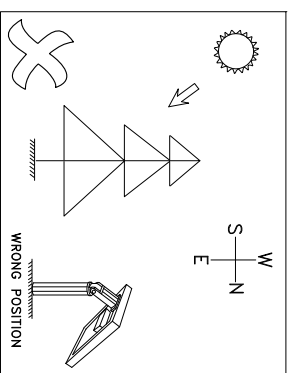
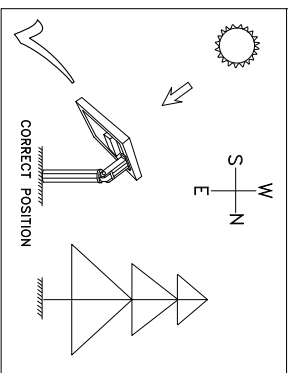
- 1PC PUMP,
- 2PC SOLAR PANEL,
- 1SET FOUNTAIN NOZZLES
- 2PC SOLAR PANEL BRACKET,
- 4PC EXTENSION TUBES
- 2PC GROUND SPIKE.

TO PROTECT THE PRODUCT, PLACE ALL PARTS ON A SOFT SURFACE BEFORE ASSEMBLY.

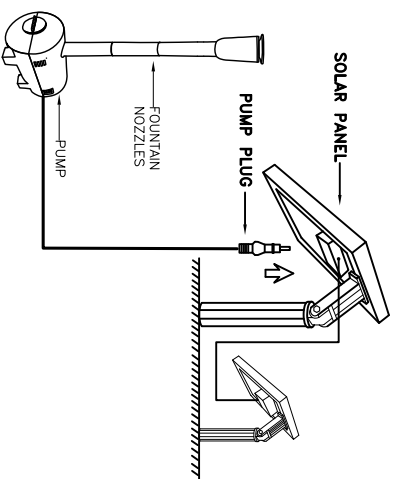
1. JOIN BRACKET, EXTENSION TUBES AND SPIKE TOGETHER, THEN ATTACH BRACKET TO BACK OF THE SOLAR PANEL FRAME AS SHOWN.



2. INSERT THE SPIKE INTO THE GROUND. POSITION THE SOLAR PANEL TO FACE SOUTH (In Northern Hemisphere) AS MUCH AS POSSIBLE TO MAKE THE MOST OF THE DAYLIGHT HOURS. IT IS IMPORTANT TO ANGLE THE SOLAR PANEL TO FACE SUN WHEN SUN IS AT ITS HIGHEST POINT. ENSURE THE SOLAR PANEL IS NOT SHADED BY TREES, SHRUBS OR BUILDINGS.



3. TWIST PUMP PLUG SLIGHTLY AND PUSHING IT INTO THE HOLE FOR PUMP PLUG, MAKE SURE THE CONNECTOR SEALS ARE FULLY IN GROOVES. YOUR SOLAR PUMP WILL BEGIN TO WORK WHEN SOLAR PANEL RECEIVE GOOD SUNLIGHT.



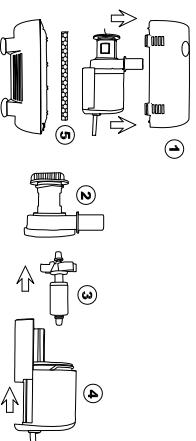
MODEL: SLP109
1500LPH SOLAR PUMP KIT
OPERATING INSTRUCTIONS
READ AND SAVE THESE INSTRUCTIONS

4. SOLAR PUMP FUNCTIONS

THIS PUMP RUNS FROM DIRECT SUNLIGHT, PUMP PERFORMANCE IS DIRECTLY RELATED TO THE AMOUNT AND STRENGTH OF SUNLIGHT RECEIVED BY SOLAR PANEL. THIS SOLAR PUMP IS DESIGNED PRIMARILY TO OPERATE IN SUMMER MONTHS BUT ALSO WORK IN SPRING AND AUTUMN PROVIDED THERE IS GOOD SUNSHINE.

5. MAINTENANCE OF PUMP

IF YOU FIND THE PUMP START LOSING POWER OR STOP WORKING, CHECK THE PUMP FILTER AND IMPELLER BLOCKED, CLEAR THEM WITH WATER.



- ① PUMP CASE ② IMPELLER COVER
- ③ IMPELLER ④ PUMP ⑤ FILTER

6. TROUBLE SHOOTING

- CHECK SOLAR PANEL, PUMP CONNECTED WELL.
- CHECK SOLAR PANEL CORRECTLY POSITIONED IN SUNNY PLACE, ENSURE THE SOLAR PANEL IS NOT SHADED BY TREES, SHRUBS OR BUILDINGS.
- CHECK WATER LEVEL, MAKE SURE THE PUMP IS FULLY SUBMERGED IN WATER.
- CHECK THE FOUNTAIN TUBING FOR KINKS AND OBSTRUCTIONS.
- CHECK THE PUMP IMPELLER BLOCKED BY DEBRIS
- CHECK THE PUMP MAY BE "AIR LOCKED", TURN ON/OFF THE PUMP SEVERAL TIMES TO CLEAR ANY AIR THAT MAY HAVE BEEN TRAPPED.

7. WINTER PROTECT
 INDOOR STORAGE IS RECOMMENDED FOR THE WINTER IN HARSH CLIMATES.

8. TECHNICAL DATA

- MAX. WATER FLOW: 1500 LPH
- MAX. WATER LIFT: 300CM
- MAX. FOUNTAIN HEIGHT: 160CM
- WORKING VOLTAGE: DC15V-21V
- WORKING POWER: 6.6W-14.9W
- PROTECTION GRADE OF PUMP: IP68

SOLAR PANEL: 2PC X 8W-21V-0.38A
 PANEL SIZE: 2PC X 310X270X18 MM
 PROTECTION GRADE OF PANEL: IP44

9. WARRANTY

THANK YOU FOR CHOOSING SUNNIDAZE DECOR. IF YOU HAVE ANY QUESTIONS, COMMENTS OR CONCERNS PLEASE FEEL FREE TO CONTACT US BY PHONE AT: 888-881-4688. BY EMAIL: CUSTOMERSERVICE@SERENITYHEALTH.COM, OR YOU COULD ALSO EMAIL US VIA OUR CONTACT US PAGE AT: WWW.SERENITYHEALTH.COM/CONTACT-US/.

WE STAND BEHIND OUR BRAND AND THE QUALITY OF THE ITEMS WE SELL. WE WILL SEND NEW PARTS, OR REPLACE PRODUCTS AT OUR DISCRETION WITHIN **THE ONE YEAR WARRANTY PERIOD**. BEFORE WE CAN HELP YOU WILL NEED TO PROVIDE PROOF OF PURCHASE WITH THE DATE OF PURCHASE AND PHOTOS OF THE DEFECTIVE MERCHANDISE. WE WILL USE THE PHOTOS TO DETERMINE THE CAUSE OF DEFECT AND FOR FUTURE QUALITY CONTROL.

