

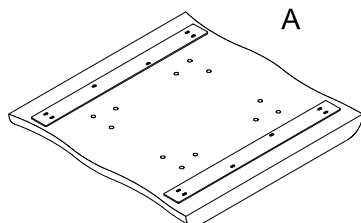
REESE END TABLE ASSEMBLY INSTRUCTIONS

MFI MODUS
FURNITURE
INTERNATIONAL

PARTS AND FITTING PACKING DETAIL

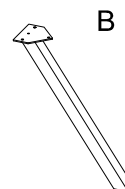
BOX #1

A. TABLE TOP 1 PC

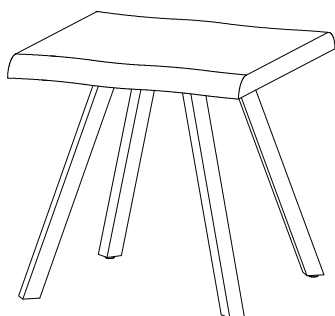


BOX #2

B. LEG 4 PCS



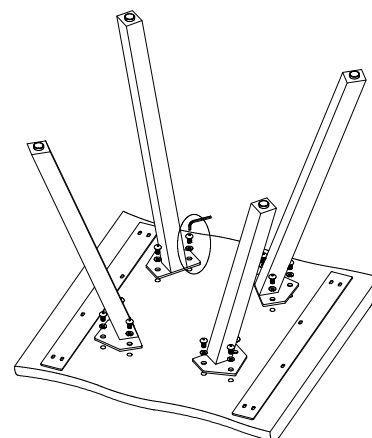
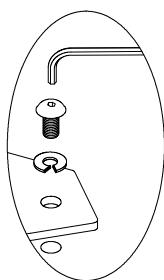
REESE END TABLE ASSEMBLED



HARDWARE PACKED IN BOX #2

1	ALLEN BOLT (M8X32)	12 PCS	2	SPRING WASHER (M8)	12 PCS	3	ALLEN KEY	1 PCS

STEP 1:



PLACE THE TOP UPSIDE DOWN ON A PROTECTIVE SURFACE. ATTACH ALL FOUR LEGS TO THE TABLE TOP AS SHOWN USING 12 ALLEN BOLTS & SPRING WASHERS. TIGHTEN ALL ALLEN BOLTS USING ALLEN KEY. NOW TURN THE TABLE UPRIGHT & IS READY TO USE.

MAINTENANCE INSTRUCTIONS:

1. CLEAN SURFACE WITH A DRY SOFT CLOTH. DO NOT USE ABRASIVE CLEANERS.
2. FURNITURE WAX CAN BE USED, AS THIS ITEMS HAS ALREADY BEEN FINISHED WITH A NATURAL WAX OVER A PROTECTIVE CLEAR LACQUER.
3. IT IS RECOMMENDED TO USE COASTERS TO PROTECT SURFACE FROM HEAT AND WATER.