







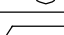
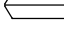
ASSEMBLY INSTRUCTION

ITEM: # 5381-90008 Landscape Mirror
5381-90002 Ten Drawer Dresser

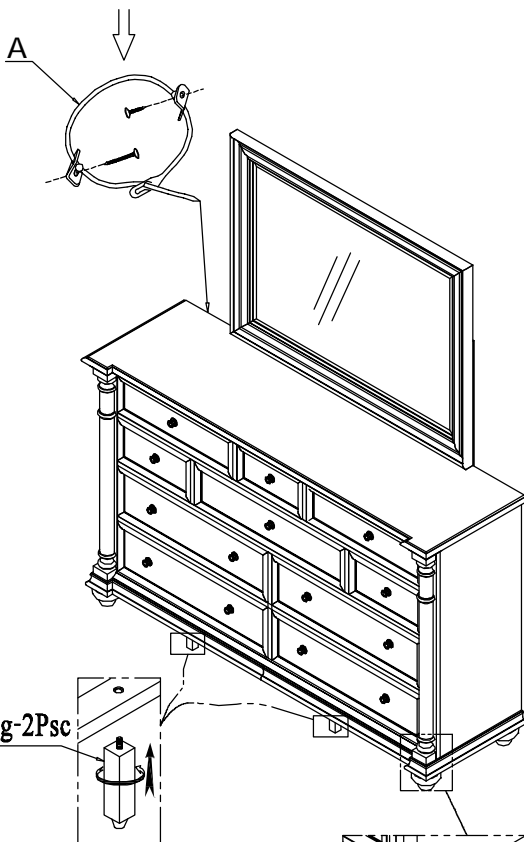
Thank you for purchasing this quality product. Be sure to unpack carefully looking for small parts which may have come loose during shipment.

Read all instruction and study the drawing carefully before starting the assembly process:

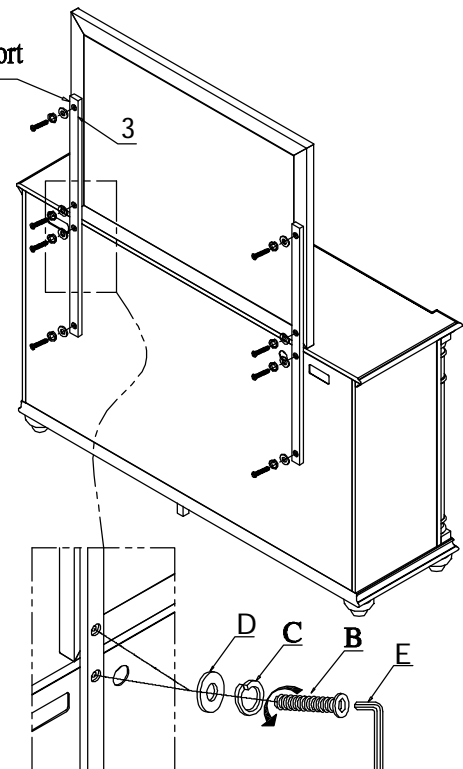
NO.	DRAWING	Q'TY	DESCRIPTION
A		1 Set	TIPPING RESTRAINT
B		8 Pcs	Φ1/4"*1-1/4" BOLT
C		8 Pcs	Φ1/4" LOCK WASHER
D		8 Pcs	Φ1/4"*19MM FLAT WASHER
E		1 Pc	4mm ALLEN WRENCH

NO.	DRAWING	Q'TY	DESCRIPTION
1		4	LEGS
2		2	CENTER SUPPORT LEG
3		2	MIRROR SUPPORT

Tipping Restraint



Mirror Support



Center leg-2Psc

Adjust Leveler if needed to level case on uneven floor.

Legs-4Pcs

