

# F1807 Brass PEX Reducing Tee

Job Name	_____
Location	_____
Engineer	_____
Contractor	_____
Tag	_____ PO# _____

## Specifications

Manufactured to the highest industry standards, Jones Stephens' F1807 lead-free brass crimp fittings provide precise, leak-free connections. The secure and reliable crimp fitting method provides full, immediate strength upon installation, with 360-degree uniform pressure. Approved for use with PEX piping.

## Applications

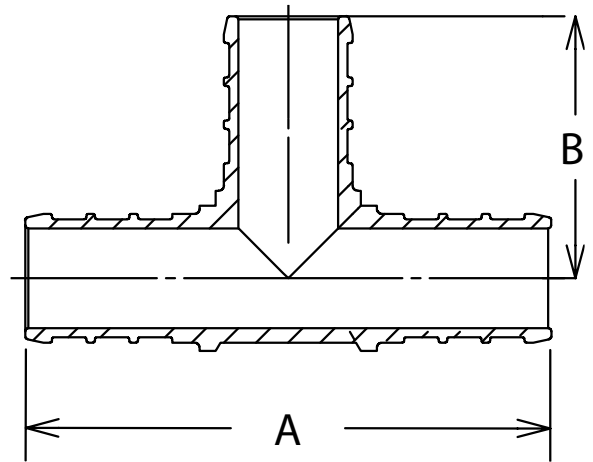
Jones Stephens' F1807 Brass PEX Reducing Tees are approved for use with commercial and residential non-potable water applications.

## Materials

Lead-free brass

## Certifications/Listings/Approvals

- ASTM F1807
- NSF/ANSI/ CAN 372, NSF/ANSI/CAN 61, and NSF/ANSI 14
- CSA B137.5
- IAMPO Listed
- Lead Law Compliant
- Vermont Act 193 Compliant



	ID (Min.)	OD
F1807 Specified Dimensions	in. (mm)	in. (mm)
1/2" End Connection	.35	.471 ± .004
3/4" End Connection	.53	.667 ± .004
1" End Connection	.71	.856 ± .004
1-1/4" End Connection	.87	1.045 ± .004
1-1/2" End Connection	1.02	1.233 ± .006
2" End Connection	1.37	1.602 ± .005

**PRODUCT OFFERING ON PAGE 2**

**Dimensions and Product Offering**

PART NO.	SIZE	A - IN (MM)	A TOLERANCE ±IN(MM)	B - IN (MM)	B TOLERANCE ±IN(MM)	WEIGHT - LBS (G)	WEIGHT TOLERANCE ±LBS (G)
C76017LF	0.50" x 0.50" x 0.75"	2.14 (54.23)	0.01 (0.20)	0.94 (23.88)	0.002 (0.05)	0.06 (27.22)	0.02 (10.89)
C76018LF	0.75" x 0.50" x 0.50"	1.89 (48.00)	0.01 (0.20)	1.07 (27.10)	0.002 (0.05)	0.07 (31.75)	0.02 (10.89)
C76019LF	0.75" x 0.50" x 0.75"	2.14 (54.23)	0.01 (0.20)	1.07 (27.10)	0.002 (0.05)	0.09 (40.82)	0.02 (10.89)
C76020LF	0.75" x 0.75" x 0.50"	1.89 (48.00)	0.01 (0.20)	1.07 (27.10)	0.002 (0.05)	0.08 (36.29)	0.02 (10.89)
C76021LF	1" x 0.75" x 0.75"	2.32 (58.83)	0.01 (0.20)	1.19 (30.15)	0.002 (0.05)	0.15 (68.04)	0.02 (10.89)
C76022LF	1" x 1" x 0.50"	2.25 (57.20)	0.01 (0.20)	1.20 (30.40)	0.002 (0.05)	0.14 (63.50)	0.02 (10.89)
C76023LF	1" x 1" x 0.75"	2.50 (63.43)	0.01 (0.20)	1.19 (30.22)	0.002 (0.05)	0.14 (63.50)	0.02 (10.89)
C76120LF	1.25" x 1" x 1"	2.99 (76.00)	0.08 (2.00)	1.54 (39.00)	0.04 (1.00)	0.26 (116.50)	0.02 (10.89)
C76121LF	1.25" x 1.25" x .50"	2.68 (68.00)	0.04 (1.00)	1.37 (34.88)	0.02 (0.50)	0.20 (92.50)	0.02 (10.89)
C76122LF	1.25" x 1.25" x .75"	2.88 (73.40)	0.04 (1.00)	1.69 (42.88)	0.024 (0.60)	0.23 (106.50)	0.02 (10.89)
C76123LF	1.25" x 1.25" x 1"	3.11 (79.00)	0.04 (1.00)	1.65 (41.88)	0.024 (0.60)	0.26 (119.50)	0.02 (10.89)
C76136LF	1.50" x 1" x 1"	3.21 (81.50)	0.08 (2.00)	1.67 (42.42)	0.04 (1.00)	0.36 (164.50)	0.02 (10.89)
C76137LF	1.50" x 1.25" x .75"	3.13 (79.50)	0.08 (2.00)	1.40 (35.50)	0.04 (1.00)	0.32 (144.00)	0.02 (10.89)
C76138LF	1.50" x 1.25" x 1"	3.33 (84.50)	0.08 (2.00)	1.61 (41.00)	0.04 (1.00)	0.36 (163.50)	0.02 (10.89)
C76139LF	1.50" x 1.25" x 1.25"	3.56 (90.50)	0.08 (2.00)	1.71 (43.50)	0.04 (1.00)	0.43 (193.00)	0.02 (10.89)
C76140LF	1.50" x 1.50" x .50"	3.15 (80.00)	0.08 (2.00)	1.40 (35.50)	0.04 (1.00)	0.32 (144.00)	0.02 (10.89)
C76141LF	1.50" x 1.50" x .75"	3.35 (85.00)	0.08 (2.00)	1.40 (35.50)	0.04 (1.00)	0.35 (158.00)	0.02 (10.89)
C76142LF	1.50" x 1.50" x 1"	3.54 (90.00)	0.08 (2.00)	1.67 (42.42)	0.04 (1.00)	0.41 (188.00)	0.02 (10.89)
C76143LF	1.50" x 1.50" x 1.25"	3.78 (96.00)	0.08 (2.00)	1.75 (44.50)	0.04 (1.00)	0.45 (206.00)	0.02 (10.89)
C76156LF	2" x 1.50" x 1"	3.79 (96.18)	0.04 (1.00)	1.88 (47.69)	0.02 (0.50)	0.61 (277.50)	0.02 (10.89)
C76157LF	2" x 1.50" x 1.50"	4.42 (112.18)	0.04 (1.00)	2.25 (57.08)	0.02 (0.50)	0.81 (369.00)	0.02 (10.89)
C76158LF	2" x 2" x .50"	3.67 (93.20)	0.02 (0.50)	1.73 (43.88)	0.02 (0.50)	0.55 (250.00)	0.02 (10.89)
C76159LF	2" x 2" x .75"	3.89 (98.70)	0.02 (0.50)	1.73 (43.88)	0.02 (0.50)	0.60 (272.00)	0.02 (10.89)
C76160LF	2" x 2" x 1"	4.14 (105.20)	0.02 (0.50)	1.90 (48.19)	0.02 (0.50)	0.68 (307.00)	0.02 (10.89)
C76161LF	2" x 2" x 1.25"	4.52 (114.70)	0.02 (0.50)	2.04 (51.88)	0.02 (0.50)	0.78 (353.00)	0.02 (10.89)
C76163LF	2" x 2" x 1.50"	4.75 (120.70)	0.02 (0.50)	2.25 (57.08)	0.024 (0.60)	0.90 (406.00)	0.02 (10.89)