

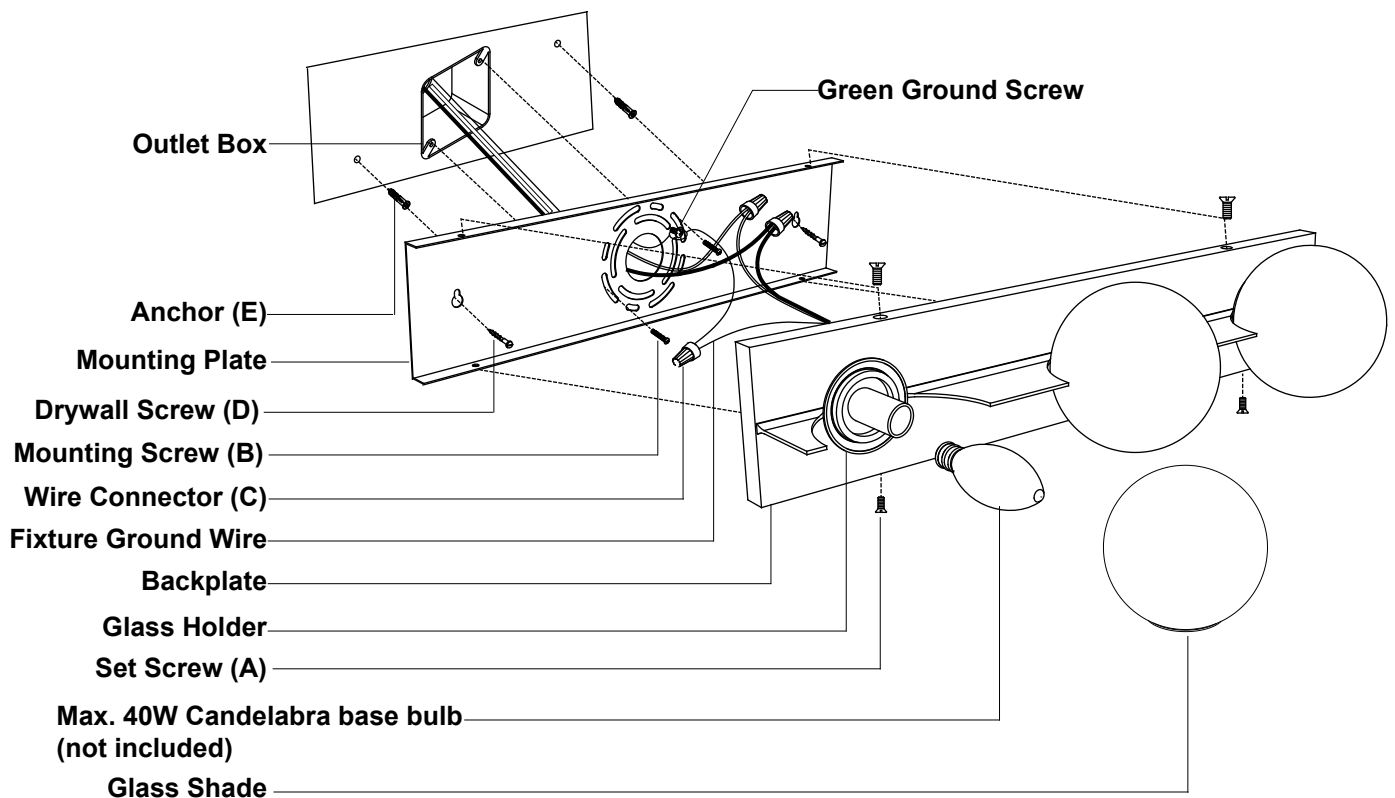
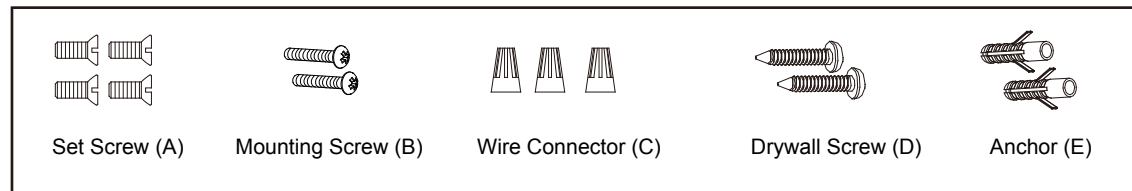
# ASSEMBLY AND INSTALLATION INSTRUCTIONS

W0449 / W0450

**WARNING:** TO AVOID RISK OF ELECTRICAL SHOCK, BE SURE TO SHUT OFF POWER BEFORE INSTALLING OR SERVICING THIS FIXTURE.

**NOTES:** 1. Before installing, consult local electrical codes for wiring and grounding requirements.  
2. Read and save these instructions.

## Hardware Package (included):



## Installation Steps

Turn off the power at fuse or circuit box.

1. Unscrew the four set screws (A). Remove the mounting plate from the backplate.
2. Fix the mounting plate to the wall.
  - 2a. For cement and drywall material:  
Hold the mounting plate to the outlet box and mark the outermost set holes on the wall surface for drilling. Remove the mounting plate from the outlet box. Drill two holes. Thread the anchors (E) into the holes, and then attach the mounting plate to the outlet box by using two mounting screws (B). Secure the drywall screws (D) through the set holes into the anchors (E).
  - 2b. For wooden material:  
Attach the mounting plate to the outlet box by using two mounting screws (B), and then secure the drywall screws (D) through the set holes to the wall.

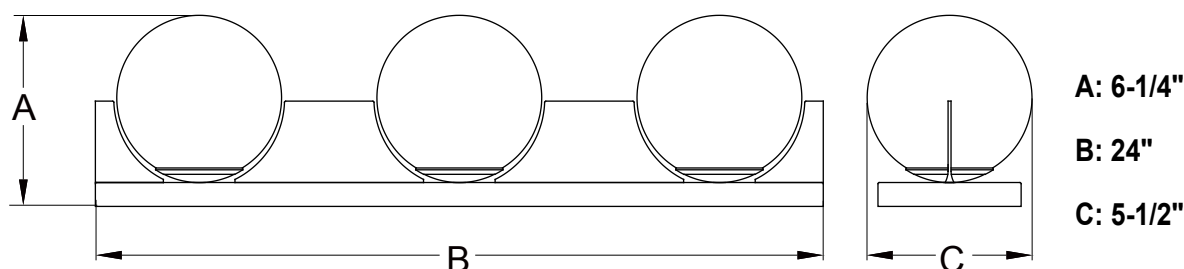
3. Pull out the source wires from the outlet box. Make wire connections using wire connectors (C) as follows:
  - Connect the black (hot) wire from the fixture to the black (hot) wire from the power source.
  - Connect the white (neutral) wire from the fixture to the white (neutral) wire from the power source.
  - Attach the fixture ground wire (bare wire) to the mounting plate with the green ground screw, then connect the fixture ground wire to the house ground wire with a wire connector (C).
 Carefully put the wires back into the outlet box.
4. Attach the backplate of the fixture to the mounting plate by aligning the holes on the mounting plate and backplate, then secure the backplate with the four set screws (A).
5. Install 3 x 40W max. candelabra base bulbs (not included). See relamping label at socket area or packaging for maximum wattage allowed.
6. Attach the glass shades to the glass holders by aligning slots, and then turn glass shades clockwise until they are locked in place.

**Turn on the power at fuse or circuit box.**

The following parts are available for reorder if damaged or missing.

**Spare Parts List:**

					Assembly Kit 6779MM (1 SET) for W0449 6780MM (1 SET) for W0450	 Glass Shade 10395CG for W0449 10413CG for W0450
Set Screw (A)	Mounting Screw (B)	Wire Connector (C)	Drywall Screw (D)	Anchor (E)		



### 1 Year Warranty

Vaxcel warrants all of our products against defects in workmanship and finishes for one year following the date of shipment.

*Exclusions: This warranty does not include the failure of products from extreme acts of nature; environmental conditions not suited for the products intended use; operation in temperatures outside of the range specified in the instruction manual; usage with improper power supply, power surges or dips. For coastal locations, some corrosion is considered normal for the environment.*

*Vaxcel reserves the right to repair, replace or issue a credit for any properly installed product, provided it is returned per RMA instruction. This warranty is limited to the cost of the product only and does not extend to transportation, installation or replacement costs.*

How can warranty service be obtained?

info@vaxcel.com  
1-800-482-9235