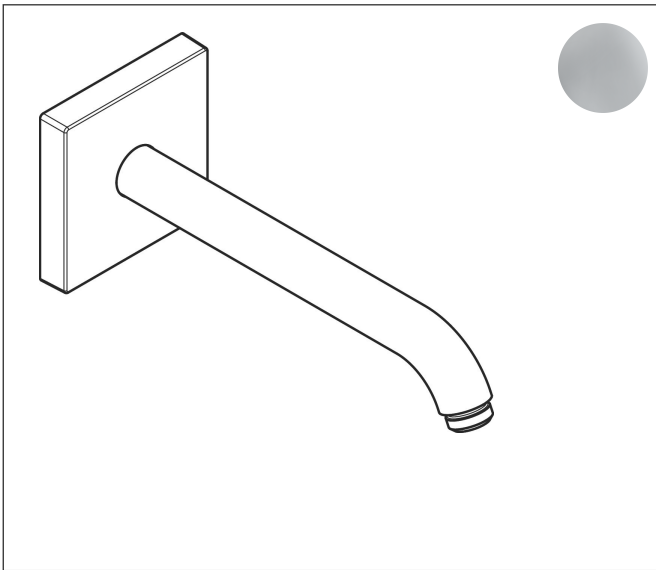


Brand	AXOR
Art. Name	<b>AXOR ShowerSolutions</b> Showerarm 9" Square
Art. Nr.	26430001
Surface	chrome
Pos.	1

## Product Picture



## Features

- length: 9.06"
- Brass
- connection type: 1/2" NPT
- Showerarm, Escutcheon, Mounting Material, Assembly instructions

## Drawing

