

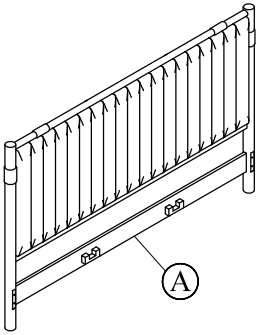
FURANO CHANNEL KING BED

ASSEMBLY INSTRUCTIONS

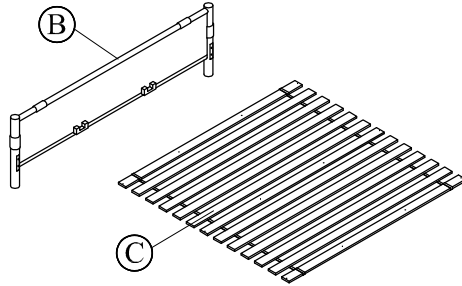


PARTS AND FITTING PACKAGING DETAIL

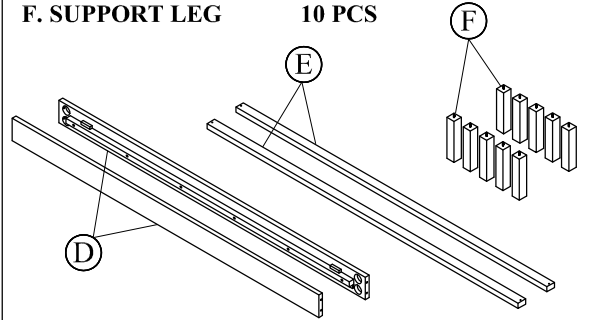
BOX #1
A. HEADBOARD 1 PC



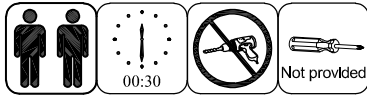
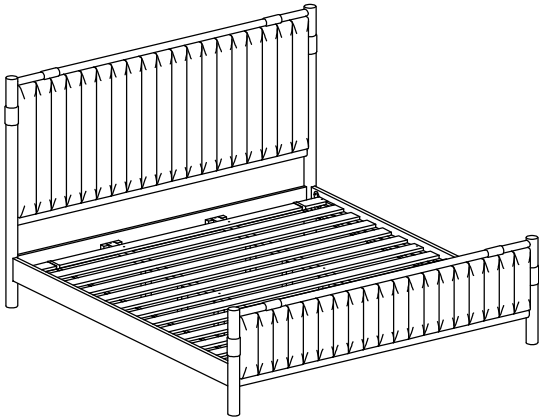
BOX #2
B. FOOTBOARD 1 PC
C. SLAT ROLL 1 SET



BOX #3
D. SIDE RAILS 2 PCS
E. CENTER SUPPORT 2 PCS
F. SUPPORT LEG 10 PCS



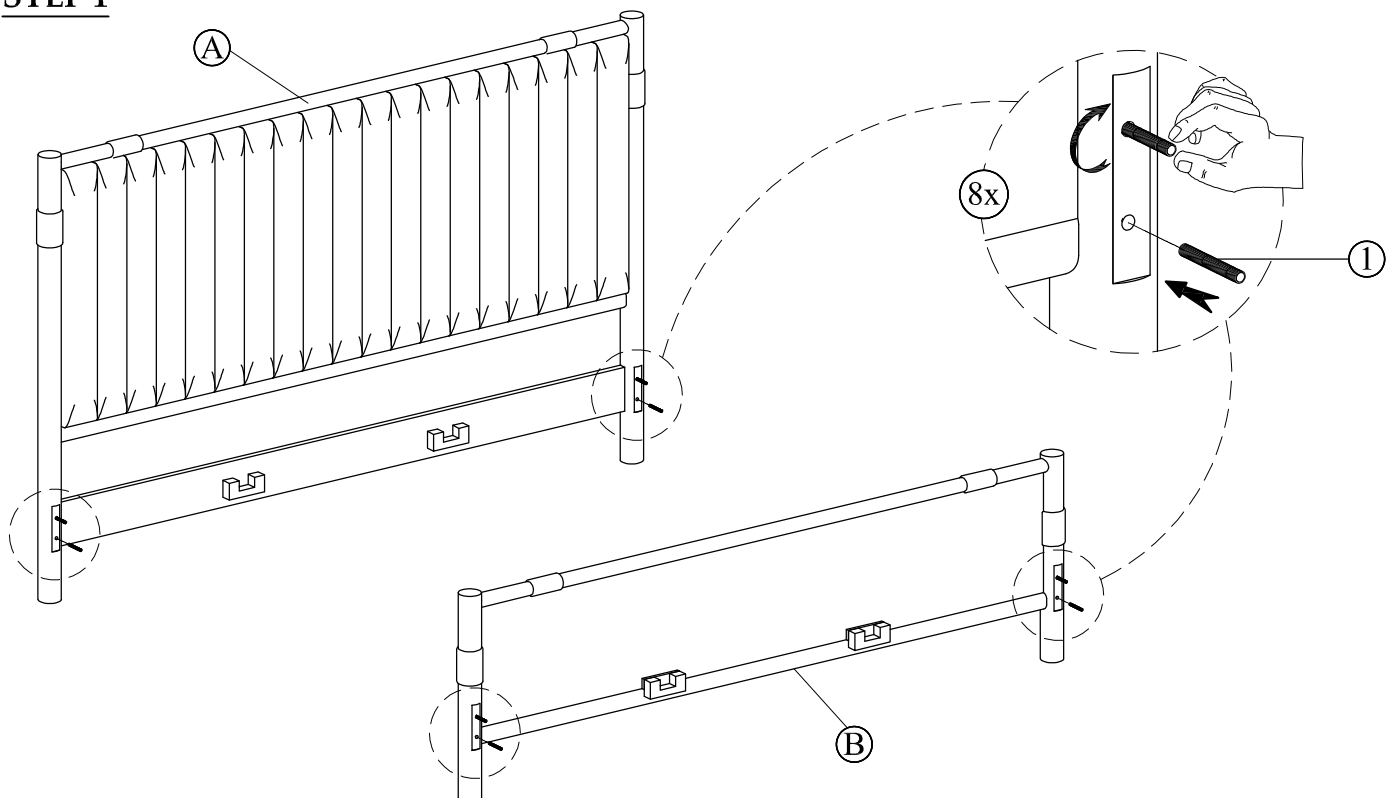
FULLY ASSEMBLED



HARDWARE KIT PACKED IN BOX #2

| NO. | DESCRIPTION | IMAGE | QTY |
|-----|------------------------|-------|--------|
| 1 | THREADED BOLT (8x60mm) | | 8 PCS |
| 2 | ARC WASHER (2x14x26mm) | | 8 PCS |
| 3 | LOCK WASHER (M10) | | 8 PCS |
| 4 | HEX NUT (M8) | | 8 PCS |
| 5 | WRENCH | | 1 PC |
| 6 | WOOD SCREW (4x35mm) | | 4 PCS |
| 7 | WOOD SCREW (4x25mm) | | 12 PCS |
| 8 | ALLEN KEY | | 1 PC |

STEP 1

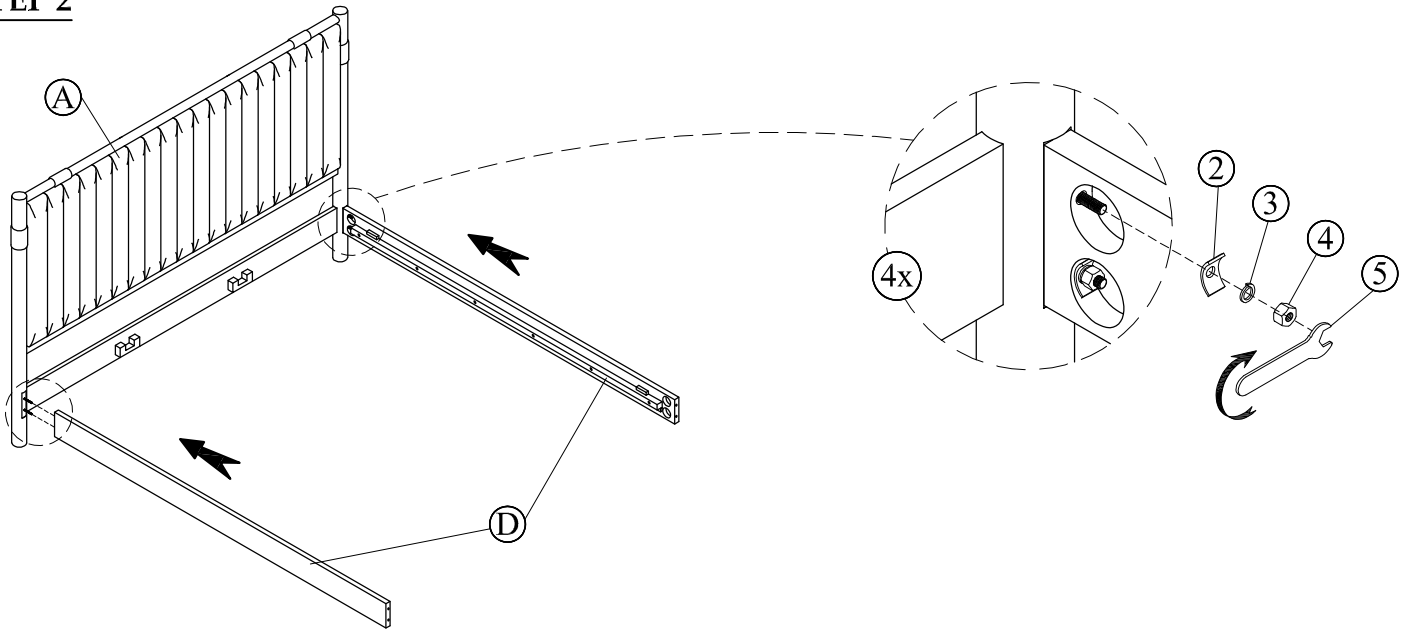


FURANO CHANNEL KING BED

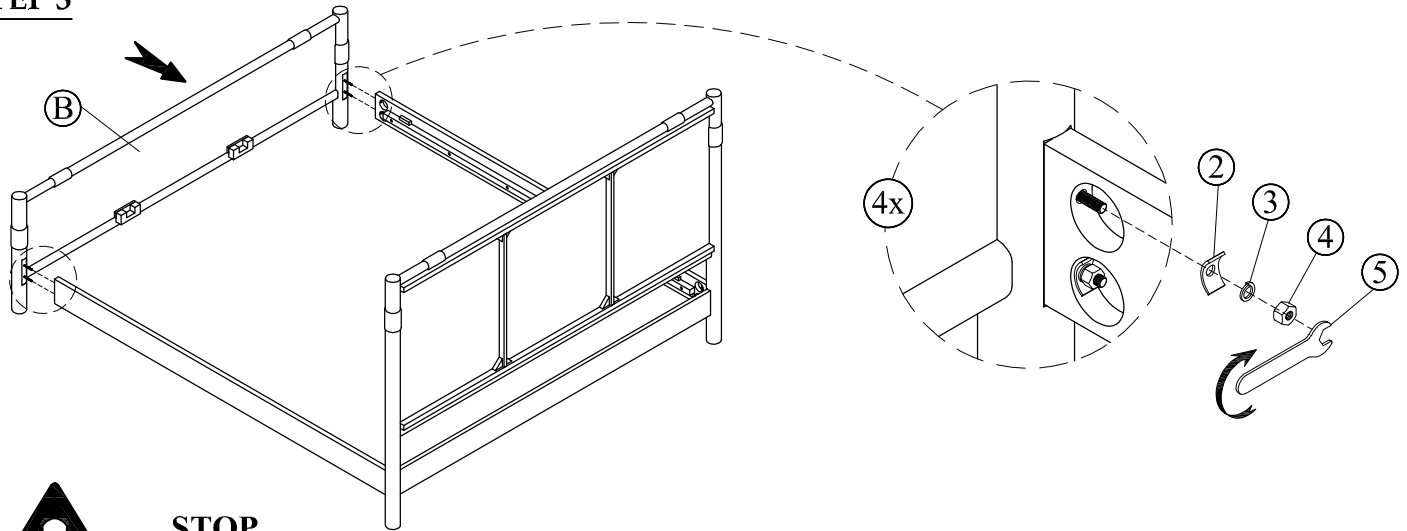
ASSEMBLY INSTRUCTIONS



STEP 2



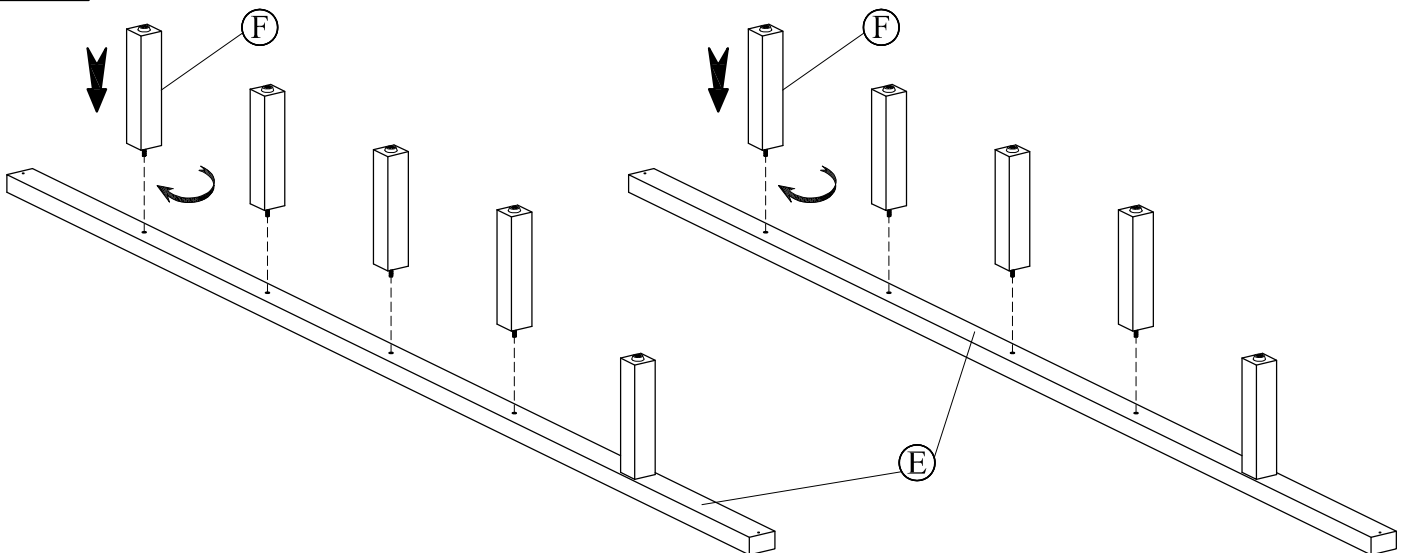
STEP 3



STOP

- IF USING BED WITH AN ADJUSTABLE MATTRESS BASE, SKIP STEPS 4, 5, 6 & 7 AND REFERENCE APPENDIX A: ADJUSTABLE MATTRESS BASE ASSEMBLY SUPPLEMENT.
- IF USING BED FRAME WITH STANDARD BOX SPRING OR FOUNDATION, CONTINUE TO STEP 4

STEP 4

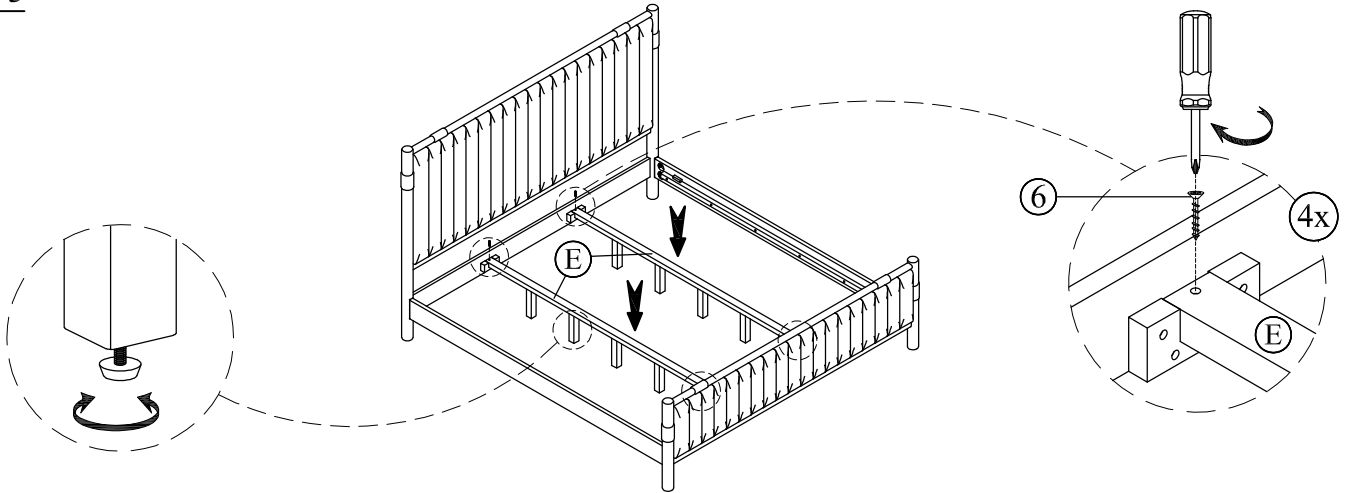


FURANO CHANNEL KING BED

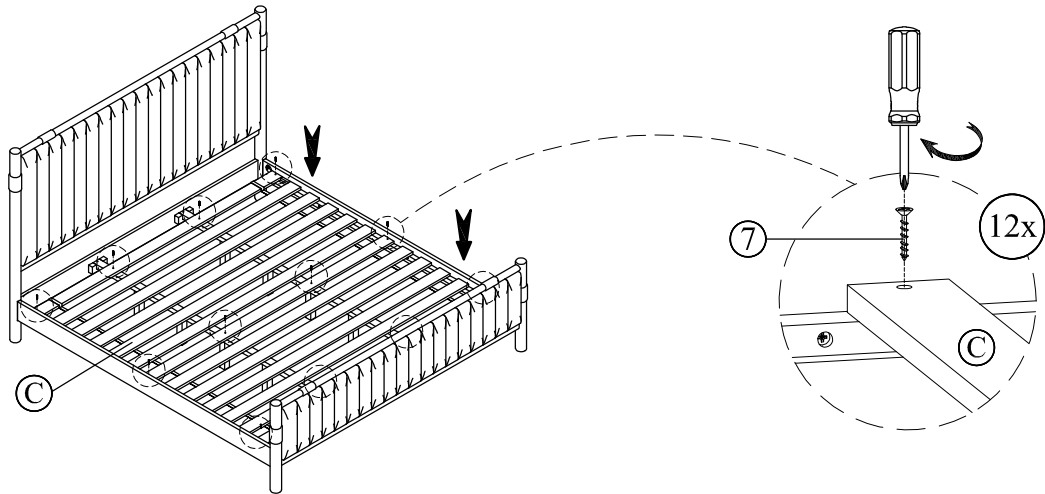
ASSEMBLY INSTRUCTIONS



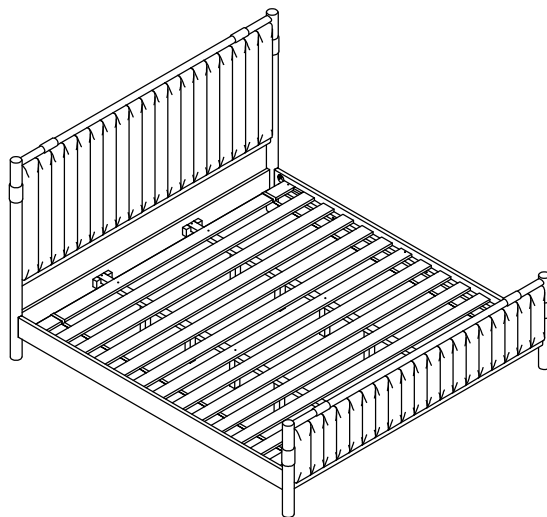
STEP 5



STEP 6



STEP 7



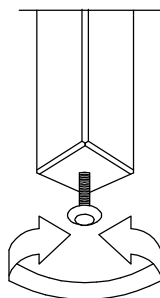
ASSEMBLY COMPLETE

INSTRUCTIONS FOR ADJUSTING LEVELERS:

Position the bed in your space and locate the leveler under each leg support (F).

Turn the leveler counter-clockwise to extend and clockwise to retract it.

Adjust each leveler until each leg support is applying equal, upward pressure on the center slat.



MAINTENANCE INSTRUCTIONS:

- Periodically check all fittings and tighten if necessary, as they can loosen over time.
- Always remove box spring and mattress before moving the bed.
- Lift the bed when moving it. Dragging the bed can damage the center support.
- Readjust levelers after moving the bed.

FURANO CHANNEL KING BED

ASSEMBLY INSTRUCTIONS



APPENDIX A: ADJUSTABLE MATTRESS BASE ASSEMBLY SUPPLEMENT

AN ADJUSTABLE MATTRESS BASE IS A FREESTANDING MATTRESS SUPPORT THAT SITS WITHIN THE PERIMETER OF THE BED FRAME. IF USING THIS BED FRAME WITH A STANDARD BOX SPRING OR FOUNDATION THESE INSTRUCTIONS DO NOT APPLY.

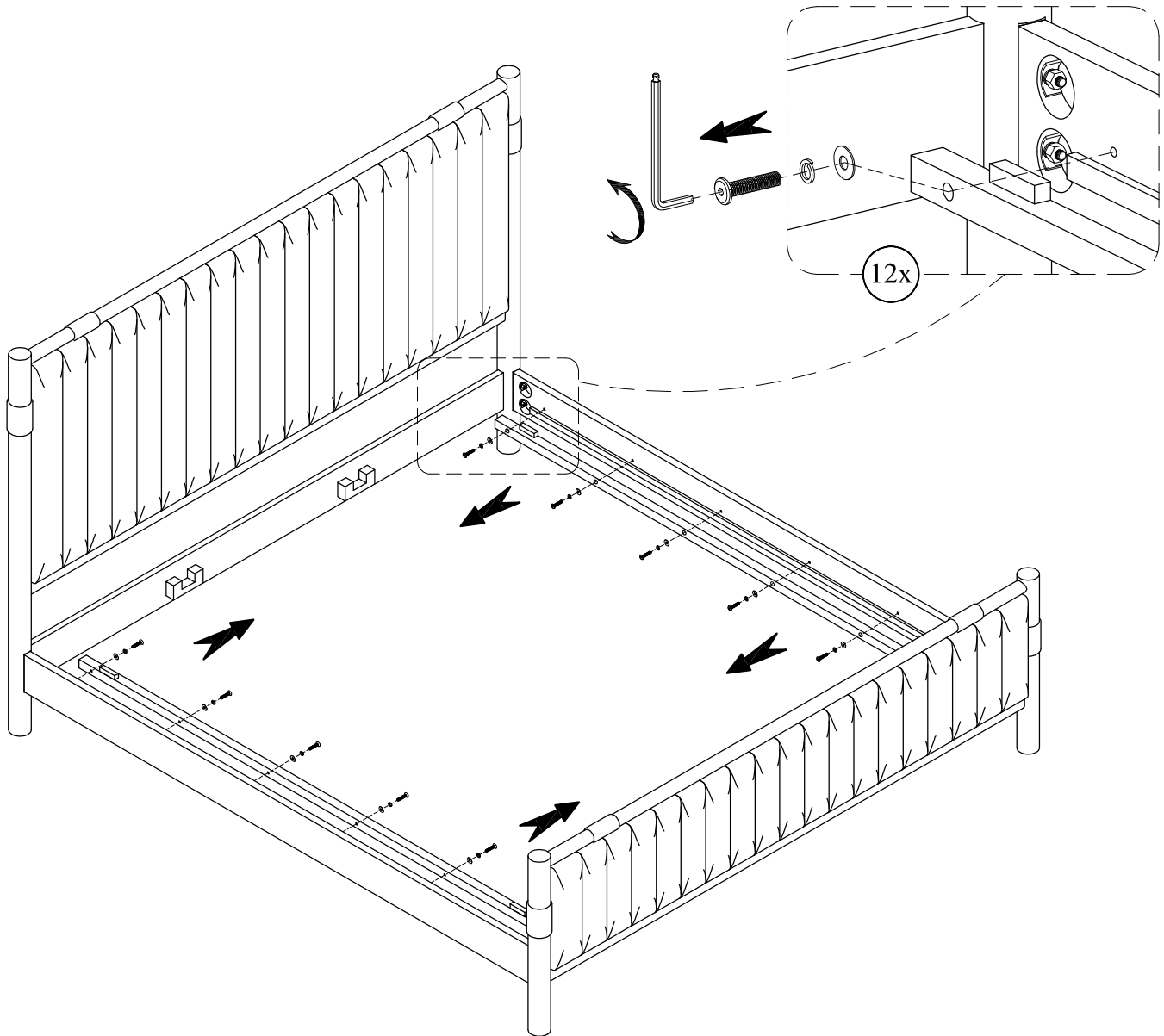
PRE-ASSEMBLED SIDE RAIL CLEATS OBSTRUCT ADJUSTABLE BASE INSTALLATION AND OPERATION. FOLLOW THESE INSTRUCTIONS TO REMOVE THEM.

THE FOLLOWING PARTS ARE NOT REQUIRED FOR ADJUSTABLE MATTRESS BASE INSTALLATION:

| | | | |
|-------------------|----------|----------------------|----------|
| C. SLAT ROLL | : 1 SET | *WOOD SCREW (4x35mm) | : 4 PCS |
| E. CENTER SUPPORT | : 2 PCS | *WOOD SCREW (4x25mm) | : 12 PCS |
| F. SUPPORT LEG | : 10 PCS | | |

STEP #1:

USE ALLEN KEY (8) TO UNSCREW ALLEN BOLTS AND REMOVE PRE-ASSEMBLED SIDE RAIL CLEATS.



NOTE: YOU MAY WISH TO RETAIN UNUSED PARTS IF IN THE FUTURE YOU INTEND TO USE THE BED FRAME WITH A STANDARD BOX SPRING OR FOUNDATION.