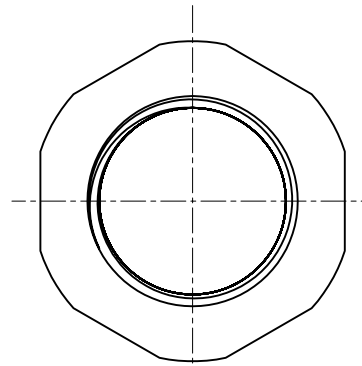
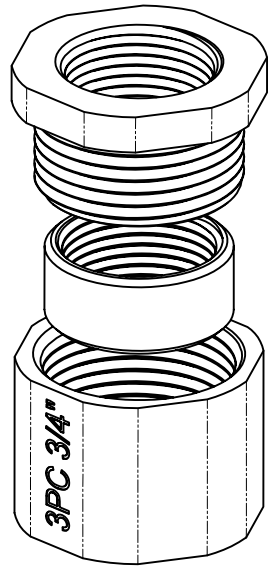


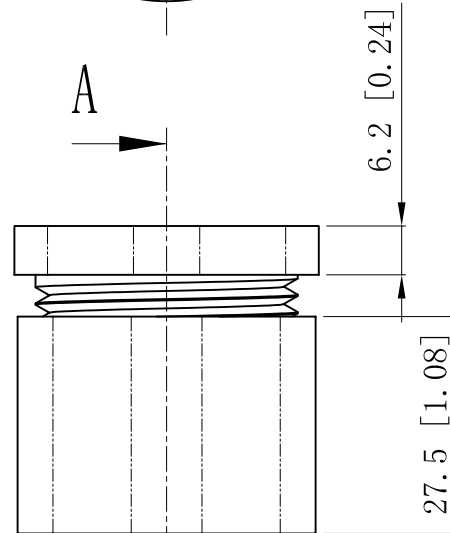
SIDES

BOTTOM

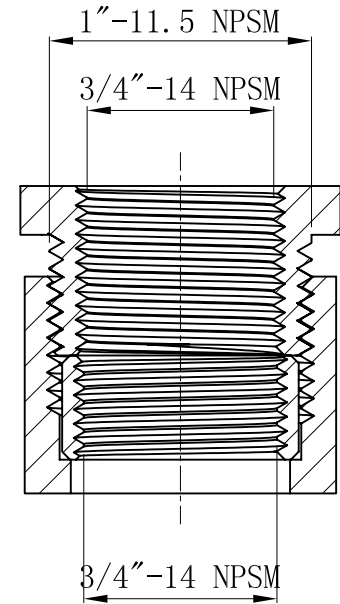
Material:malleable casting,Finish:Zinc plated



A



A



CUTAWAY VIEW A-A

This data sheet is for reference only .GARVIN INDUSTRIES reserves the right to make changes to the design without prior notice.

DESCRIPTION
TRADE REFERENCE TERMS

STANDARD PACKING	<h1 style="text-align: center;">GARVIN INDUSTRIES</h1> <h2 style="text-align: center;">THREE-PIECE COUPLING</h2>		
25 PCS			
SIZE	DWG NO.	REV	
A4	3PC75		
DATA SHEET			